

Luctan S912

1/12 Full Proportional 2WD Brush Truggy

ONE GOAL, ONE PASSION-S912

WWW.GP.HK



GP TOYS



33+
mph

BREAK THE SPEED LIMIT

Out Of The Box With Included Battery
A New Category Of Off-Road Excitement

WARNING!

THIS MODEL IS NOT INTENDED FOR USE BY CHILDREN UNDER THE AGE OF 8 WITHOUT THE SUPERVISION OF A RESPONSIBLE ADULT. POTENTIAL CHOKING HAZARD! KEEP THIS MODEL, ITS TRANSMITTER, AND EXTRA EQUIPMENT OUT OF THE REACH OF CHILDREN UNDER 3 YEARS OF AGE!

1/12
SCALE RTR

R/C
RADIO
CONTROL

RTR
READY TO
RUN

2WD
DRIVE

2.4GHz
DIGITAL
PROPORTIONAL

8+
AGES

⚠ NOTICE:

All instructions, warranties and other collateral documents are subject to change at the sole discretion of GP TOYS. For up-to-date product literature, visit <http://www.g-p.hk/> and click on the support tab for this product.

Meaning of Special Language

The following terms are used throughout the product literature to indicate various levels of potential harm when operating this product:

NOTICE: Procedures, which if not properly followed, create a possibility of physical property damage AND little or no possibility of injury.

CAUTION: Procedures, which if not properly followed, create the probability of physical property damage AND a possibility of serious injury.

WARNING: Procedures, which if not properly followed, create the probability of property damage, collateral damage, and serious injury OR create a high probability of superficial injury.

⚠ WARNING:

Read the ENTIRE instruction manual to become familiar with the features of the product before operating. Failure to operate the product correctly can result in damage to the product, personal property and cause serious injury.

This is a sophisticated hobby product and NOT a toy. It must be operated with caution and common sense and requires some basic mechanical ability. Failure to operate this Product in a safe and responsible manner could result in injury or damage to the product or other property. This product is not intended for use by children without direct adult supervision. Do not use with incompatible components or alter this product in any way outside of the instructions provided by GP TOYS. This manual contains instructions for safety, operation and maintenance. It is essential to read and follow all the instructions and warnings in the manual, prior to assembly, setup or use, in order to operate correctly and avoid damage or serious injury.

⚠ HINWEIS:

Alle Anweisungen, Garantien und dazugehörigen Dokumente können ohne Ankündigung von GP TOYS geändert werden. Eine aktuelle Version ersehen Sie bitte im Support Feld unter: <http://www.g-p.hk/>

ERKLÄRUNG DER BEGRIFFE:

Begriffe werden in der gesamten Produktliteratur verwendet, um auf unterschiedlich hohe Gefahrenrisiken beim Betrieb dieses Produkts hinzuweisen:

HINWEIS: Wenn diese Verfahren nicht korrekt befolgt werden, können sich möglicherweise Sachschäden UND geringe oder keine Gefahr von Verletzungen ergeben.

ACHTUNG: Wenn diese Verfahren nicht korrekt befolgt werden, ergeben sich wahrscheinlich Sachschäden UND die Gefahr von schweren Verletzungen.

WARNUNG: Wenn diese Verfahren nicht korrekt befolgt werden, ergeben sich wahrscheinlich Sachschäden, Kollateralschäden und schwere Verletzungen ODER mit hoher Wahrscheinlichkeit oberflächliche Verletzungen.

⚠ WARNUNG:

Lesen Sie die GESAMTE Bedienungsanleitung, um sich vor dem Betrieb mit den Produktfunktionen vertraut zu machen. Wird das Produkt nicht korrekt betrieben, kann dies zu Schäden am Produkt oder persönlichem Eigentum führen oder schwere Verletzungen verursachen. Dies ist ein hochentwickeltes Hobby-Produkt. Es muss mit Vorsicht und gesundem Menschenverstand betrieben werden und benötigt gewisse mechanische Grundfähigkeiten. Wird dieses Produkt nicht auf eine sichere und verantwortungsvolle Weise betrieben, kann dies zu Verletzungen oder Schäden am Produkt oder anderen Sachwerten führen. Versuchen Sie nicht ohne Genehmigung durch GP TOYS, das Produkt zu zerlegen, es mit inkompatiblen Komponenten zu verwenden oder auf jegliche Weise zu erweitern. Diese Bedienungsanleitung enthält Anweisungen für Sicherheit, Betrieb und Wartung. Es ist unbedingt notwendig, vor Zusammenbau, Einrichtung oder Verwendung alle Anweisungen und Warnhinweise im Handbuch zu lesen und zu befolgen, damit es bestimmungsgemäß betrieben werden kann und Schäden oder schwere Verletzungen vermieden werden.

⚠ Remarque:

Toutes les instructions, garanties et autres documents de garantie sont sujets à la seule discrétion de GP TOYS. Veuillez, pour une documentation produit bien à jour, visiter le site internet <http://www.g-p.hk/>.

Signification de certains termes spécifiques:

Les termes suivants servent, tout au long de la littérature produits, à désigner différents niveaux de blessures potentielles lors de l'utilisation de ce produit:

REMARQUE: procédures qui, si elles ne sont pas suivies correctement, peuvent entraîner des dégâts matériels ET éventuellement un faible risque de blessures.

ATTENTION: procédures qui, si elles ne sont pas suivies correctement, peuvent entraîner des dégâts matériels ET des blessures graves.

AVERTISSEMENT: procédures qui, si elles ne sont pas suivies correctement, peuvent entraîner des dégâts matériels, des dommages collatéraux et des blessures graves OU engendrer une probabilité élevée de blessure superficielle.



⚠ AVERTISSEMENT :

Lisez la TOTALITE du manuel d'utilisation afin de vous familiariser avec les caractéristiques du produit avant de le faire fonctionner. Une utilisation incorrecte du produit peut avoir comme résultat un endommagement du produit lui-même, celui de propriétés personnelles voire entraîner des blessures graves.

Ceci est un produit de loisirs perfectionné et NON PAS un jouet. Il doit être manipulé avec prudence et bon sens et requiert quelques aptitudes de base à la mécanique. L'incapacité à manipuler ce produit de manière sûre et responsable peut provoquer des blessures ou des dommages au produit ou à d'autres biens. Ce produit n'est pas destiné à être utilisé par des enfants sans la surveillance directe d'un adulte. Ne pas essayer de désassembler le produit, de l'utiliser avec des composants incompatibles ou d'en améliorer les performances sans l'approbation de GP TOYS. Ce manuel comporte des instructions de sécurité, d'utilisation et d'entretien. Il est capital de lire et de respecter toutes les instructions et avertissements du manuel avant l'assemblage, le réglage ou l'utilisation afin de le manipuler correctement et d'éviter les dommages ou les blessures graves.

⚠ AVVISO:

Tutte le istruzioni, le garanzie e gli altri documenti pertinenti sono soggetti a cambiamenti a totale discrezione di GP TOYS. Per una documentazione aggiornata sul prodotto, visitare il sito www.g-p.hk/ e fare clic sulla sezione Support del prodotto.

Significato dei termini usati

Nella documentazione relativa al prodotto vengono utilizzati i seguenti termini per indicare i vari livelli di pericolo potenziale durante l'uso del prodotto:

AVVISO: indica procedure che, se non debitamente seguite, possono determinare il rischio di danni alle cose E il rischio minimo o nullo di lesioni alle persone.

ATTENZIONE: indica procedure che, se non debitamente seguite, determinano il rischio di danni alle cose E di gravi lesioni alle persone.

WARNING: indica procedure che, se non debitamente seguite, determinano il rischio di danni alle cose, danni collaterali e gravi lesioni alle persone O il rischio elevato di lesioni superficiali alle persone.

⚠ AVERTISSEMENT :

Leggere TUTTO il manuale di istruzioni e familiarizzare con le caratteristiche del prodotto prima di farlo funzionare. Un uso improprio del prodotto può causare danni al prodotto stesso e alle altre cose e gravi lesioni alle persone. Questo modello è un prodotto sofisticato per appassionati di modellismo. Deve essere azionato in maniera attenta e responsabile e richiede alcune conoscenze basilari di meccanica. L'uso improprio o irresponsabile di questo prodotto può causare lesioni alle persone e danni al prodotto stesso o alle altre cose. Questo prodotto non deve essere utilizzato dai bambini senza la diretta supervisione di un adulto. Non tentare di smontare, utilizzare componenti incompatibili o modificare il prodotto in nessun caso senza previa approvazione di GP TOYS. Questo manuale contiene le istruzioni per la sicurezza, l'uso e la manutenzione del prodotto. È fondamentale leggere e seguire tutte le istruzioni e le avvertenze del manuale prima di montare, impostare o utilizzare il prodotto, al fine di utilizzarlo correttamente e di evitare di causare danni alle cose o gravi lesioni alle persone.

Age Recommendation: Not for children under 8 years. This is not a toy.**Safety Precautions and Warnings**

As the user of this product, you are solely responsible for operating in a manner that does not endanger yourself and others or result in damage to the product or property of others. This model is controlled by a radio signal subject to interference from many sources outside your control. This interference can cause momentary loss of control, so it is advisable to always keep a safe distance in all directions around your model as this margin will help avoid collisions or injury.

- Never operate your model with low transmitter batteries.
- Always operate your model in open spaces away from full-size vehicles, traffic and people.
- Never operate the model in the street or in populated areas for any reason.
- Carefully follow the directions and warnings for this and any optional support equipment (chargers, rechargeable battery packs, etc.) you use.

- Keep all chemicals, small parts and anything electrical out of the reach of children.
- Never lick or place any portion of the model in your mouth as it could cause serious injury or even death.
- Exercise caution when using tools and sharp instruments.
- Take care during maintenance as some parts may have sharp edges.
- Immediately after using your model, do NOT touch equipment such as the motor and battery, because they generate high temperatures. You may burn yourself seriously touching them.
- Do not put fingers or any objects inside rotating and moving parts, as this may cause damage or serious injury.
- Always turn on your transmitter before you turn on the receiver in the car. Always turn off the receiver before turning your transmitter off.
- Keep the wheels of the model off the ground when checking the operation of the radio equipment.



WATER-RESISTANT VEHICLE WITH WATERPROOF ELECTRONICS

Your new GP TOYS vehicle has been designed and built with a combination of waterproof and water-resistant components to allow you to operate the product in many "wet conditions," including puddles, creeks, wet grass, snow and even rain.

Luctan S912 has the IPX5 waterproof level. While the entire vehicle is highly water-resistant, it is not



High Waterproof Level

The IPX5 waterproof level protect itself from splashing water and waves

completely waterproof and your vehicle should NOT be treated like a submarine. The IPX5 waterproof level only protects the vehicle itself from splashing water and waves. The various electronic components used in the vehicle, such as the servo(s) are waterproof, however, most of the mechanical components are water-resistant and should not be submerged.

Metal parts, including the bearings, hinge pins, screws and nuts, as well as the contacts in the electrical cables, will be susceptible to corrosion if additional maintenance is not performed after running in wet conditions.

To maximize the long-term performance of your vehicle and to keep the warranty intact, the procedures described in the "Wet Conditions Maintenance" section below must be performed regularly if you choose to run in wet conditions. If you are not willing to perform the additional care and maintenance required, then you should not operate the vehicle in those conditions.



CAUTION: Failure to exercise caution while using this product and complying with the following precautions could result in product malfunction and/or void the warranty.

General Precautions

- Read through the wet conditions maintenance procedures and make sure that you have all the tools you will need to properly maintain your vehicle.
- Not all batteries can be used in wet conditions. Consult the battery manufacturer before use. Do not use Li-ion batteries in wet conditions.
- The included transmitter is not waterproof or water-resistant. If using a different transmitter than the one included, consult your transmitter's manual or the manufacturer before operation.
- Never operate your transmitter or vehicle where lightning may be present.

- Do not operate your vehicle where it could come in contact with salt water (ocean water or water on salt-covered roads), contaminated or polluted water. Salt water is very conductive and highly corrosive, so use caution.
- Even minimal water contact can reduce the life of your motor if it has not been certified as water-resistant or waterproof. If the motor becomes excessively wet, apply very light throttle until the water is mostly removed from the motor. Running a wet motor at high speeds may rapidly damage the motor.
- Driving in wet conditions can reduce the life of the motor. The additional resistance of operating in water causes excess strain. Alter the gear ratio by using a smaller pinion or larger spur gear. This will increase torque (and motor life) when running in mud, deeper puddles, or any wet conditions that will increase the load on the motor for an extended period of time.

Wet Conditions Maintenance

- Remove the battery pack(s) and dry the contacts. If you have an air compressor or a can of compressed air, blow out any water that may be inside the recessed connector housing.
- Remove the tires/wheels from the vehicle and gently rinse the mud and dirt off with a garden hose. Avoid rinsing the bearings and transmission.

NOTICE: Never use a pressure washer to clean your vehicle.

- Use an air compressor or a can of compressed air to dry the vehicle and help remove any water that may have gotten into small crevices or corners.
- Spray the bearings, drive train, fasteners and other metal parts with WD-40 solvent or any other water-displacing light oil. Do not spray the motor.
- Let the vehicle air dry before you store it. Water (and oil) may continue to drip for a few hours.
- Increase the frequency of disassembly, inspection and lubrication of the following:
 - Front and rear axle hub assembly bearings.
 - All transmission cases, gears and differentials.
 - Motor—clean with an aerosol motor cleaner and re-oil the bushings with lightweight motor oil.



WARNING:

Make sure the battery is in full dry condition when you connect it to the charger! If any water on plug, there is danger of explosion!



Please connect to the charger after drying the battery surface and battery joint.



WARNING
EXPLOSION



When charging the battery, PLEASE DO MAKE SURE the plug of the battery and your hands both are in dry condition. If any water on plug, there is danger of explosion!



CONTENTS

PACKAGE CONTAINS	4	PARTS LISTS	9
REMOVE THE TRUGGY BODY	4	EXPLODED DIAGRAM	13
INSTALL TRANSMITTER BATTERIES	5	OPERATION	19
CHARGING THE TRUGGY BATTERY	5	TROUBLESHOOTING	20
INSTALL RECHARGEABLE BATTERY PACK	5	FCC INFORMATION	20
TRANSMITTER CONTROLS	6	CE INFORMATION	21
CONTROLLING THE TRUGGY	7	DECLARATION OF CONFORMITY FOR R&TTE DIRECTIVE	21
INSTALLING THE TRUGGY BODY	7	LIMITED WARRANTY	21
SEGURIDAD · SAFETY · SEGURANÇA · SICHERHEIT · SÉCURITÉ · SICUREZZA	8		

Precautions

- (1) CHOKING HAZARD - Small parts. Keep out of reach of small children.
- (2) Please operate in an open field without any wave interference.
- (3) When transmitter is low in power, please stop and change batteries immediately.
- (4) Please store the car and the transmitter in a dry and cool environment.
- (5) Keep away from fire, hot or humid environment.
- (6) If car battery is wet, be sure to wipe and dry it completely to avoid any damage.

1. PACKAGE CONTAINS:



Luctan S912



2.4G Transmitter



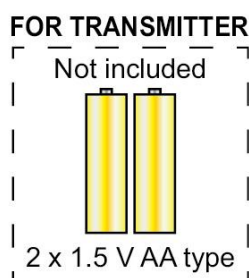
Charger



x4
Screw
Lithium-ion
Battery Pack



Tail



Pin X 4



Phillips Screwdriver



Hex Wrench



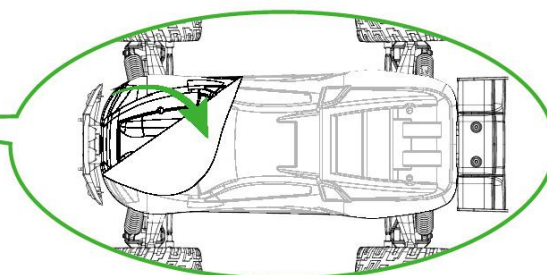
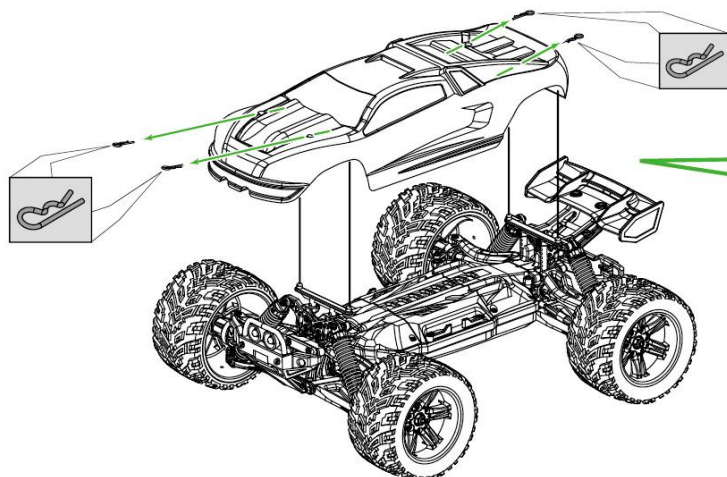
Steering wheel



Manual

2. REMOVE THE TRUGGY BODY

Pull out the pins and remove the body



Make sure all accessories are properly attached, remove the protection film from the body before turning on GP TOYS Luctan S912.

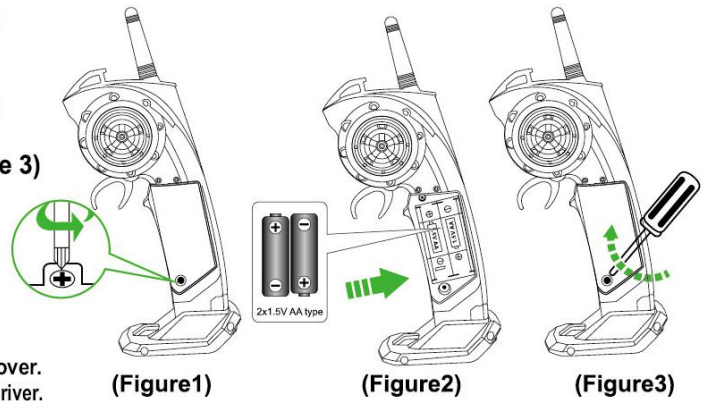


3. INSTALL TRANSMITTER BATTERIES

1. Remove the battery cover by loosening the screw on the back of the transmitter with the included screwdriver. (Figure 1)
2. Install 2 x 1.5V AA batteries (not included) in correct polarities. (Figure 2)
3. Close the battery cover and tighten the screw. (Figure 3)

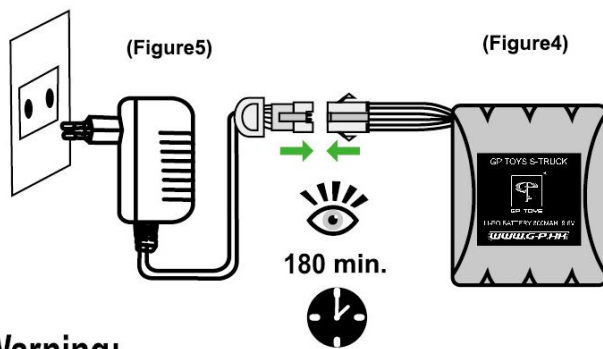
⚠ NOTICE:

1. Never mix different types of batteries.
2. Never mix the new batteries with old ones.
3. Always remove exhausted batteries.
4. Always keep batteries out of reach of the children.
5. Philips screwdriver is for loosening and installing the battery cover. Never use to disassembling the truck body. Or may damage the screwdriver.



4. CHARGING THE TRUGGY BATTERY

- a) Connect the lithium-ion battery pack to the charger (Figure 4), note the charge light turns green.
- b) Insert the charger into the outlet (Figure 5), note the charger light turns red - indicating it's charging.
- c) When charging is completed, charger light turns green again.

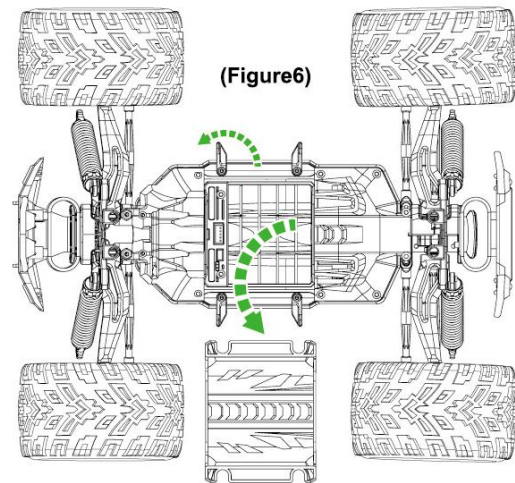


⚠ Warning:

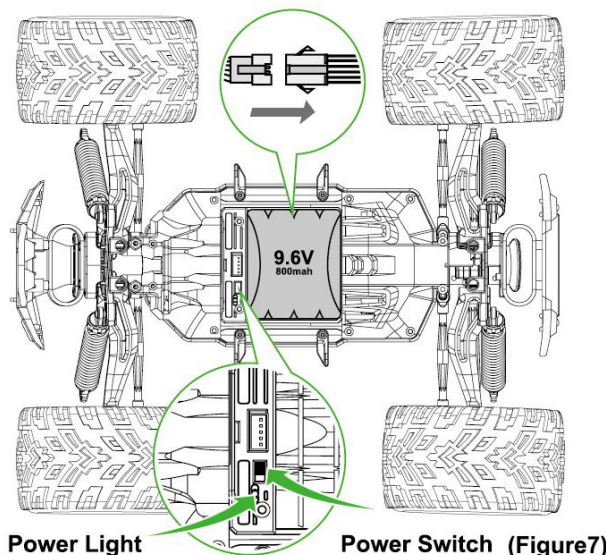
Never leave the battery and charger unattended.
Never allow children under 8 years old to charge the battery.
Always connect to the charger correctly.

5. INSTALL RECHARGEABLE BATTERY PACK

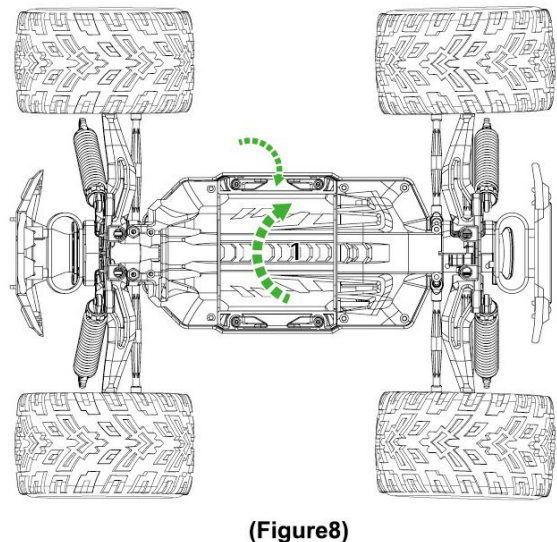
- (1). Loosen the latches of the battery cover on the bottom of the truggy, then remove the battery cover. (Figure 6)



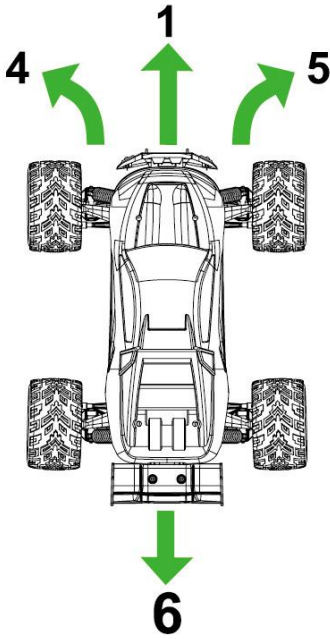
- (2). Connect the sockets of the rechargeable battery pack of Luctan S912 truggy in correct polarities, then insert the battery into the battery compartment. (Figure 7)



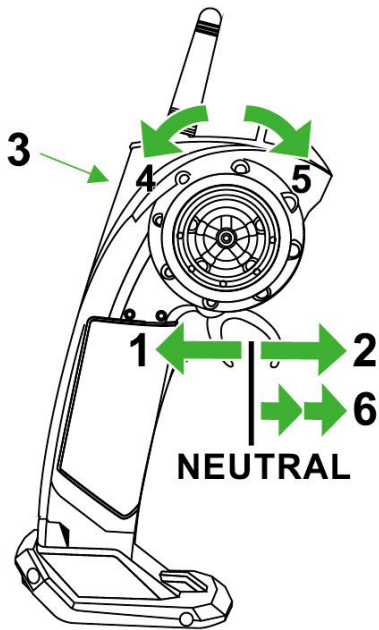
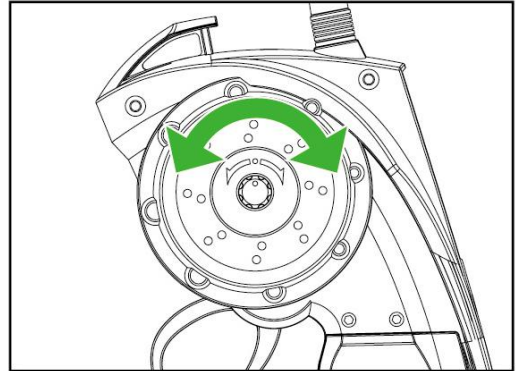
- (3). Close and secure the battery cover by tightening the latches. (Figure 8)



6. TRANSMITTER CONTROLS



TRIM



ENG

- 1. Forward
- 2. Brake
- 3. Led&switch (ON/OFF)
- 4. Left
- 5. Right
- 6. Backward

DE

- 1. Vorwärts
- 2. Bremse
- 3. Led&Schalter (ON/OFF)
- 4. Links
- 5. Rechts
- 6. Zurück

IT

- 1. Avanti
- 2. Freno
- 3. Led&Interruttore (ON/OFF)
- 4. Sinistra
- 5. Destra
- 6. Indietro

FR

- 1. Avancer
- 2. Frein
- 3. Led&commutateur(ON/OFF)
- 4. Gauche
- 5. Droite
- 6. Reculer

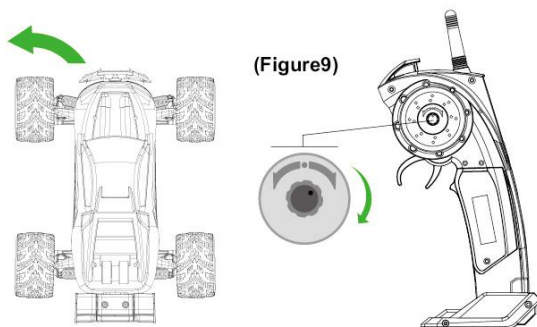
ESP

- 1. Avance
- 2. Freno
- 3. Led&interruptor (ON/OFF)
- 4. Izquierda
- 5. Derecha
- 6. Marcha atrás

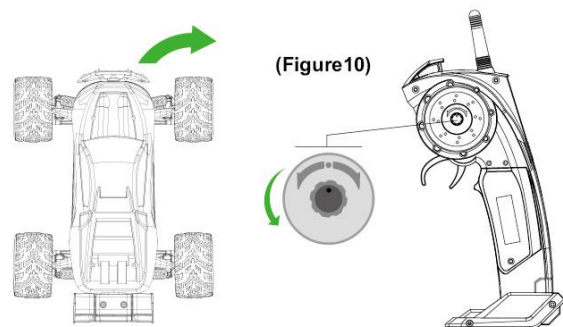
PT

- 1. Avançar
- 2. Freio
- 3. Led&comutador (ON/OFF)
- 4. Esquerda
- 5. Direita
- 6. Retroceder

ST Trim: Adjusts the steering without steering wheel input to make the vehicle track straight.



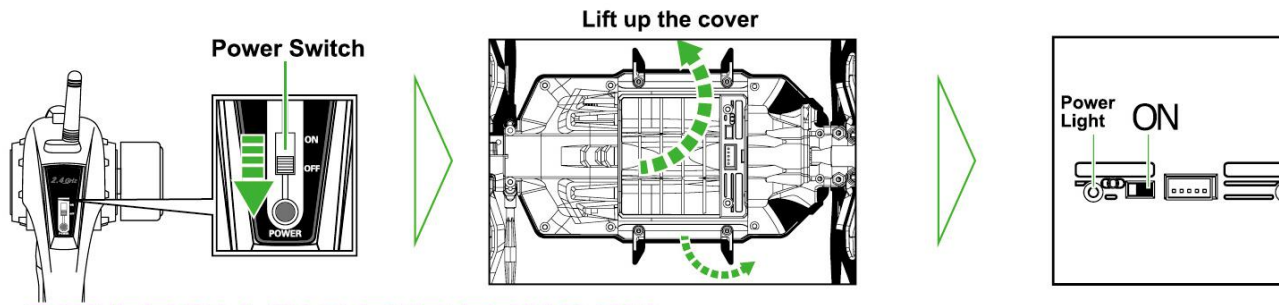
When the truggy is turning left, steering trim should be adjusted clockwise. (Figure9)



When the truggy is turning right, steering trim should be adjusted anticlockwise. (Figure10)

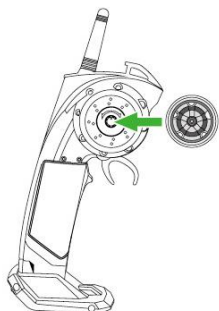


**BEFORE DRIVING-VOR DEM FAHREM-PRIMA GUIDA
AVANT DE CONDUIRE -ANTES DE CIRCULAR-ANTES DE DIRIGIR**

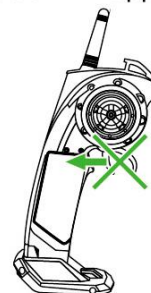


7. CONTROLLING THE TRUGGY

(1) Place the steering wheel on the transmitter.

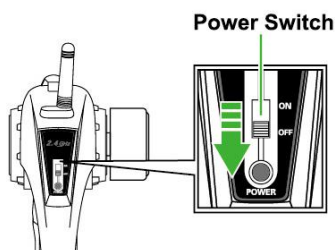
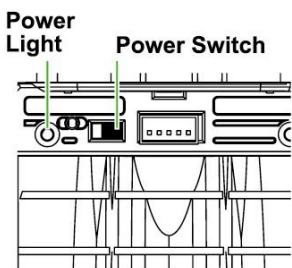


(b) During the binding, NEVER touch the throttle. Or throttle position will appear deviation.



(2) First turn on Luctan S912 truggy, then turn on the transmitter. Binding the truggy and the transmitter.

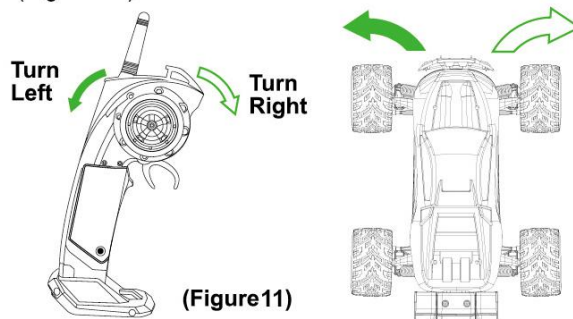
(a) When binding for the first time, both the truggy and the transmitter have to be turned on within 3 seconds. During the binding, the LED lights on the truggy and the transmitter will flash. Lights will turn solid once binding is successful.



(c) In case binding is not successful, please turn off the truggy and the transmitter and repeat the binding above.

(3) Once binding is successful, your truggy is ready for running.

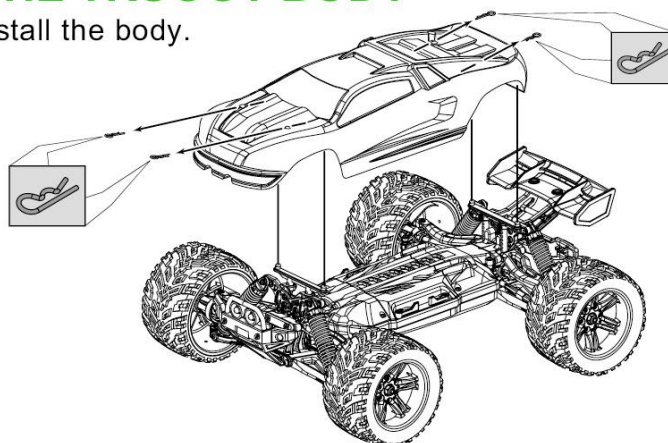
(4) While pressing on throttle, turn the steering wheel at the same time to turn the truggy left or right. (Figure 11)



NOTICE: ● LED will flash when power is low on the truggy or the transmitter. Please recharge or replace the batteries before continuing.
● S912 may crash on hard objects when driving at full speed. Due to high speed, the batteries of the truggy may have momentary poor contact. Please adjust the batteries when this situation happened, S912 will soon get back to normal.

8. INSTALLING THE TRUGGY BODY

Put the pins in and install the body.



SEGURIDAD - SAFETY - SEGURANÇA - SICHERHEIT - SÉCURITÉ - SICUREZZA

Warning: Do not manipulate the vehicle electronic equipment.

1. Switch off the vehicle and the transmitter when not being in use.
2. Take off the batteries when not being in use.
3. It is recommended the use of alkaline batteries.
4. The vehicle must be always under supervision when operating.
5. Replace the batteries as soon any malfunctioning is detecting.
6. Save this manual for further references.
7. Please follow strictly this manual when operating.
8. The charger has been designed to operate with its own model batteries. Do not use it to charge other kind of batteries

Warnung: Nehmen Sie keine Veränderungen an der Elektronik vor!

1. Schalten Sie Sender und Fahrzeug bei Nichtbenutzung aus
2. Entfernen Sie bei Nichtgebrauch die Batterien aus dem Sender
3. Es werden Alkaline Batterien empfohlen
4. Das Modell muss unter ständiger Aufsicht sein
5. Ersetzen Sie die Batterien bevor Störungen auftreten
6. Bewahren Sie diese Anleitung gut auf
7. Bitte halten Sie sich an die Bedienungsanleitung
8. Das Sender Ladegerät wurde speziell für den im Modell verwendeten Akku entwickelt. Laden Sie damit keine anderen Akkus oder Batterien.

Avvertimento: non manipolate l'equipaggiamento elettronico del veicolo.

1. Quando non è in uso, spegnete sempre sia il veicolo che il trasmettitore
2. Quando non è in uso, staccate le batterie
3. Si raccomanda l'impiego di batterie alcaline
5. Il veicolo deve sempre essere supervisionato quando è in funzionamenti.
6. Sostituite le batterie non appena si verificano dei malfunzionamenti
7. Conservate questo manuale per future consultazioni
8. Seguite attentamente le indicazioni di questo manuale
9. Il caricatore del trasmettitore è stato progettato esclusivamente per questo modello. Non utilizzatelo per caricare altri tipi di batterie.

Avertissement : LE MODÈLE dispose d'un circuit électronique qui ne doit pas être modifié. Toute modification ou tout changement réalisé sans l'autorisation préalable obtenue de la part du responsable, est susceptible d'invalider l'autorisation de l'utilisateur à utiliser ce dispositif.

1. Veuillez déconnecter l'émetteur et le modèle lorsqu'ils ne sont pas en fonctionnement.
2. Retirez les piles de l'émetteur lorsqu'il n'est pas utilisé.
3. Afin d'obtenir le rendement optimum et les meilleures prestations, nous vous recommandons d'utiliser des piles alcalines.
4. Veillez à ce que l'appareil soit toujours dans votre champ de vision, afin de pouvoir le surveiller à tout moment.
5. Veuillez remplacer les piles dès l'apparition de faiblesses dans l'utilisation de l'appareil.
6. Veuillez conserver ce mode d'emploi afin de pouvoir le consulter ultérieurement.
7. Vous devrez respecter les instructions figurant dans ce manuel pour utiliser ce produit.
8. Le chargeur a été fabriqué spécialement pour votre modèle. Veuillez ne pas vous en servir pour charger des batteries autres que celles de le modèle.

Aviso: El modelo equipa un circuito electrónico que en ningún caso debe ser manipulado. Cualquier modificación o cambio que se realice que no esté expresamente aprobado por la parte responsable de su cumplimiento, pueden invalidar la autorización del usuario para operar con este equipo.

1. Desconectar el transmisor y vehículo cuando no se use.
2. Sacar las pilas del transmisor cuando no esté en funcionamiento.
3. Para obtener máximo rendimiento y prestaciones se recomienda el uso de pilas alcalinas.
4. Mantenga el aparato siempre a la vista para supervisararlo todo el tiempo.
5. Reemplace las pilas tan pronto se detecten fallos en el funcionamiento.
6. Guarden estos datos para futuras referencias.
7. Es necesario un estricto cumplimiento del manual de instrucciones mientras esté operando el producto.
8. El cargador fue fabricado especialmente para su modelo. No lo utilice para cargar otras baterías que no sean las del vehículo.

Aviso: o modelo inclui um circuito electrónico que não deve ser manipulado em nenhuma circunstância. Qualquer modificação que não seja aprovada pelo fabricante pode invalidar a autorização do utilizador para manipular este equipamento.

1. Desligue o veículo e o transmissor quando não os esteja a utilizar.
2. Retire as pilhas do emissor quando não estiver a ser utilizado.
3. Para obter um rendimento máximo recomendamos o uso de pilhas alcalinas
4. Mantenha o veículo sempre no seu campo de visão enquanto voa.
5. Substitua as pilhas assim que detectar falhas de funcionamento.
6. Guarde esta informação para referência futura.
7. Deve seguir estritamente o manual de instruções quando estiver a utilizar o produto.
8. O carregador foi fabricado especialmente para o veículo. Não o utilize para carregar baterias além da que vem incluída no veículo.



⚠ Notice

- Please note the battery polarities when installing or replacing batteries
- Non-rechargeable batteries can not be charged
- Remove rechargeable battery pack from truggy before charging
- Charge the battery under adult supervision
- Do not mix new and old batteries, or batteries of different types
- Remove batteries from truggy once they are exhausted
- Watch for short circuits at power terminals
- Touching the transmitter antenna while operating the truggy can affect the remote control distance; broken antennas should be handled by an adult
- This truggy is equipped with powerful driving forces, When moving at high speed, please do not try to break abruptly due to inertia.
- When the truggy move slowly, it indicates power is low. Please recharge following charging instructions.
- When charging, please ensure power sockets are connected properly.
- While not used for a long time, please remove batteries from the truggy and the transmitter.
- Unpack the truggy under adult supervision.
- Keep this manual for future reference.



No.	912-SJ01
Product Name	truggy body
Specifications	
Quantity	1X1
Remarks	red



No.	912-SJ02
Product Name	truggy body
Specifications	
Quantity	1X1
Remarks	green



No.	912-SJ03
Product Name	truggy body bracket
Specifications	
Quantity	1X2
Remarks	



No.	911-SJ04
Product Name	front bumper block
Specifications	
Quantity	1X1
Remarks	



No.	911-SJ05
Product Name	rear bumper block
Specifications	
Quantity	1X1
Remarks	



No.	911-SJ06
Product Name	bumper link block
Specifications	
Quantity	1X2
Remarks	



No.	911-SJ07
Product Name	upper arm
Specifications	
Quantity	1X2
Remarks	L and R



No.	911-SJ08
Product Name	hem arm
Specifications	
Quantity	1X2
Remarks	



No.	911-SJ09
Product Name	universal joint cup
Specifications	
Quantity	1X2
Remarks	

⚠ **NOTICE:** More truggy body colors are continuously updating. For detail information, please refer to GP TOYS official website: www.g-p.hk



No.	911-SJ10
Product Name	headstock fixing piece
Specifications	
Quantity	1X1
Remarks	



No.	911-SJ11
Product Name	shock proof plank
Specifications	
Quantity	1X2
Remarks	



No.	911-SJ12
Product Name	front connecting rod
Specifications	
Quantity	1X2
Remarks	includes steering ball head



No.	911-SJ13
Product Name	rear connecting rod
Specifications	
Quantity	1X2
Remarks	includes steering ball head



No.	911-SJ14
Product Name	steering arm
Specifications	
Quantity	1X1
Remarks	



No.	911-SJ15
Product Name	rear gear box shell
Specifications	
Quantity	1X3
Remarks	



No.	911-SJ16
Product Name	truggy chassis
Specifications	
Quantity	1X1
Remarks	



No.	911-SJ17
Product Name	front cover
Specifications	
Quantity	1X1
Remarks	



No.	911-SJ18
Product Name	rear cover
Specifications	
Quantity	1X1
Remarks	



No.	911-SJ19
Product Name	battery cover
Specifications	
Quantity	1X1
Remarks	



No.	911-SJ20
Product Name	battery cover lock
Specifications	
Quantity	1X4
Remarks	



No.	911-SJ21
Product Name	receiving plate cover
Specifications	
Quantity	1X1
Remarks	



No.	911-SJ22
Product Name	transmission gear
Specifications	
Quantity	1X3
Remarks	



No.	912-ZJ01
Product Name	tire
Specifications	
Quantity	1X2
Remarks	




No.	911-ZJ02
Product Name	front shield shock
Specifications	
Quantity	1X2
Remarks	





No.	911-ZJ03
Product Name	rear shield shock
Specifications	
Quantity	1X2
Remarks	




No.	911-ZJ04
Product Name	front steering engine
Specifications	
Quantity	1X1
Remarks	



No.	911-ZJ05
Product Name	rear gear box
Specifications	
Quantity	1X1
Remarks	complete set



No.	911-ZJ06
Product Name	differential
Specifications	
Quantity	1X1
Remarks	



No.	911-ZJ07
Product Name	12MM six angle connector
Specifications	
Quantity	1X4
Remarks	



No.	911-ZJ08
Product Name	2.4G transmitter
Specifications	
Quantity	1X1
Remarks	



No.	911-WJ01
Product Name	A-arm
Specifications	
Quantity	1X2
Remarks	



No.	911-WJ02
Product Name	locknut
Specifications	
Quantity	1X4
Remarks	



No.	911-WJ03
Product Name	metal front transmission cup
Specifications	
Quantity	1X2
Remarks	



No.	911-WJ04
Product Name	metal rear transmission cup
Specifications	
Quantity	1X2
Remarks	



No.	911-WJ05
Product Name	differential cup
Specifications	
Quantity	1X2
Remarks	



No.	911-WJ06
Product Name	dog bones
Specifications	
Quantity	1X2
Remarks	



No.	911-WJ07
Product Name	pin
Specifications	
Quantity	1X8
Remarks	



No.	911-WJ08
Product Name	bearing
Specifications	4 x 7 x 2
Quantity	1X2
Remarks	




No.	911-WJ09
Product Name	bearing
Specifications	6.3 x 9.5 x 3
Quantity	1 x 4
Remarks	



	
No.	911-WJ10
Product Name	bearing
Specifications	8 x 13 x 3.5
Quantity	1X2
Remarks	

	
No.	911-WJ11
Product Name	shaft
Specifications	
Quantity	1X3
Remarks	gear box

	
No.	911-WJ12
Product Name	hexagon nut wrench
Specifications	
Quantity	1X1
Remarks	upgrade part

	
No.	911-LS01
Product Name	countersunk head screw
Specifications	2 x 8KBHO
Quantity	1X10
Remarks	

	
No.	911-LS02
Product Name	countersunk head screw
Specifications	2 x 10KBHO
Quantity	1X10
Remarks	

	
No.	911-LS03
Product Name	countersunk head screw
Specifications	2 x 15KBHO
Quantity	1X10
Remarks	

	
No.	911-LS04
Product Name	round-headed screw
Specifications	2.3 x 6PBHO
Quantity	1X10
Remarks	


	
No.	911-LS05
Product Name	countersunk head screw
Specifications	2.3 x 10KBHO
Quantity	1X10
Remarks	


	
No.	911-LS06
Product Name	round-headed screw
Specifications	2.3 x 10PBHO
Quantity	1X10
Remarks	

	
No.	911-LS07
Product Name	round-headed screw
Specifications	2.3 x 12PBHO
Quantity	1X10
Remarks	

	
No.	911-LS08
Product Name	round-headed screw
Specifications	2.3 x 12PBHO
Quantity	1X10
Remarks	

	
No.	911-LS09
Product Name	round-headed screw
Specifications	2.6 x 7PBHO
Quantity	1X10
Remarks	

	
No.	911-LS10
Product Name	countersunk head screw
Specifications	2.6 x 8KBHO
Quantity	1X10
Remarks	

	
No.	911-LS11
Product Name	round-headed screw
Specifications	2.6 x 15PBHO
Quantity	1X10
Remarks	

	
No.	911-LS12
Product Name	round-headed screw
Specifications	2.6 x 20PBHO
Quantity	1X10
Remarks	

	
No.	911-LS13
Product Name	round-headed screw
Specifications	2.6 x 7 x 7PWBHO
Quantity	1X10
Remarks	


	
No.	911-LS14
Product Name	round-headed screw
Specifications	2.5 x 6 x 5PWMHO
Quantity	1X10
Remarks	


	
No.	911-LS15
Product Name	round-headed screw
Specifications	3 x 8 x 8PWBHO
Quantity	1X4
Remarks	


	
No.	911-LS16
Product Name	round-headed screw
Specifications	3 x 31PMHO
Quantity	1X4
Remarks	

	
No.	911-LS17
Product Name	round-headed screw
Specifications	3 x 36PMHO
Quantity	1X4
Remarks	

	
No.	911-DJ01
Product Name	390motor
Specifications	
Quantity	1X1
Remarks	includes gear

	
No.	911-DJ02
Product Name	battery
Specifications	9.6V 800mAh
Quantity	1X1
Remarks	

	
No.	911-DJ04
Product Name	2.4G receiver PCB
Specifications	
Quantity	1X1
Remarks	


	
No.	911-DJ05
Product Name	2.4G transmitter PCB
Specifications	
Quantity	1X1
Remarks	

	
No.	912-SJ03
Product Name	Tail
Specifications	
Quantity	1X1
Remarks	

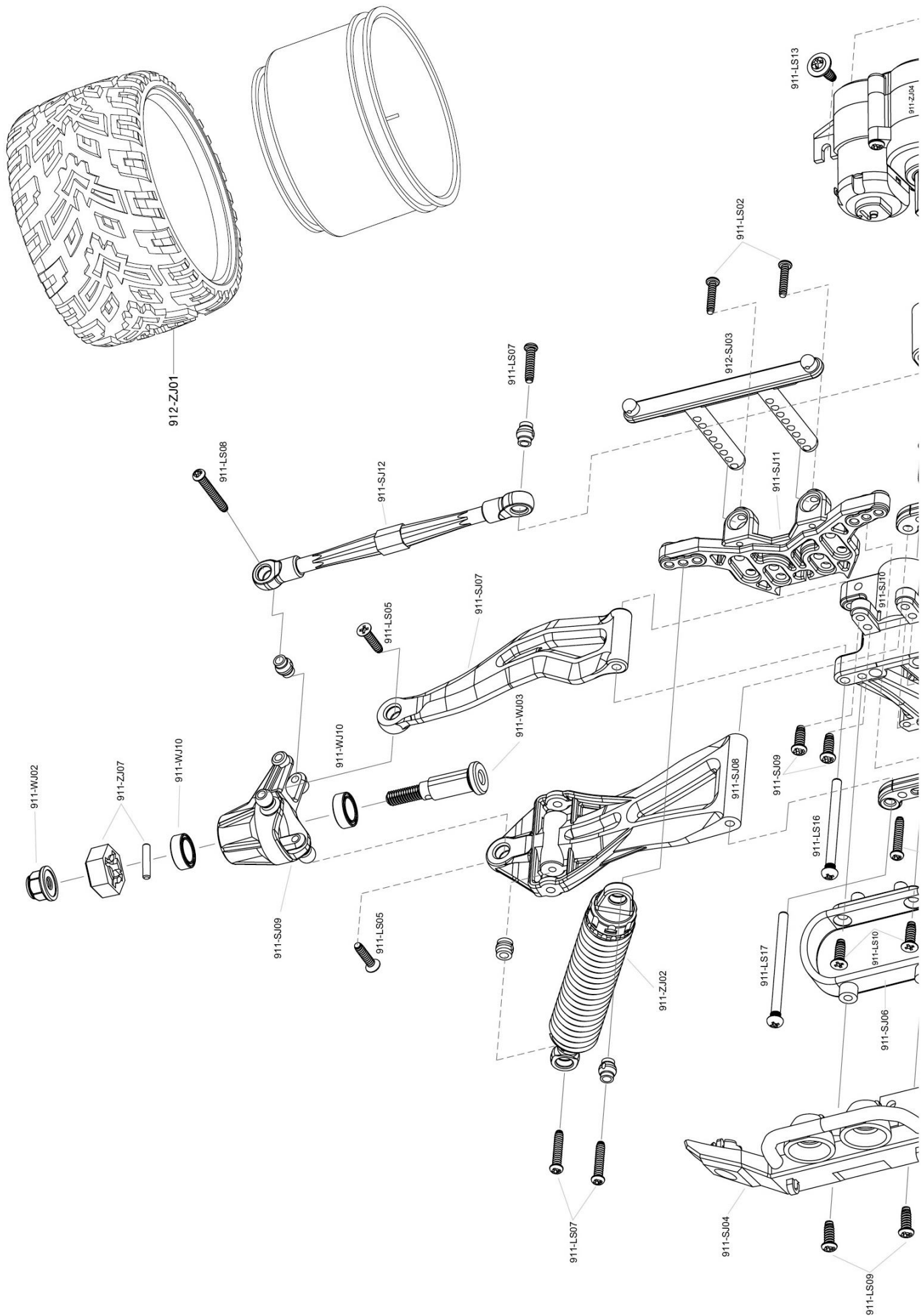
No.	912-SJ03
Product Name	Tail
Specifications	
Quantity	1X1
Remarks	

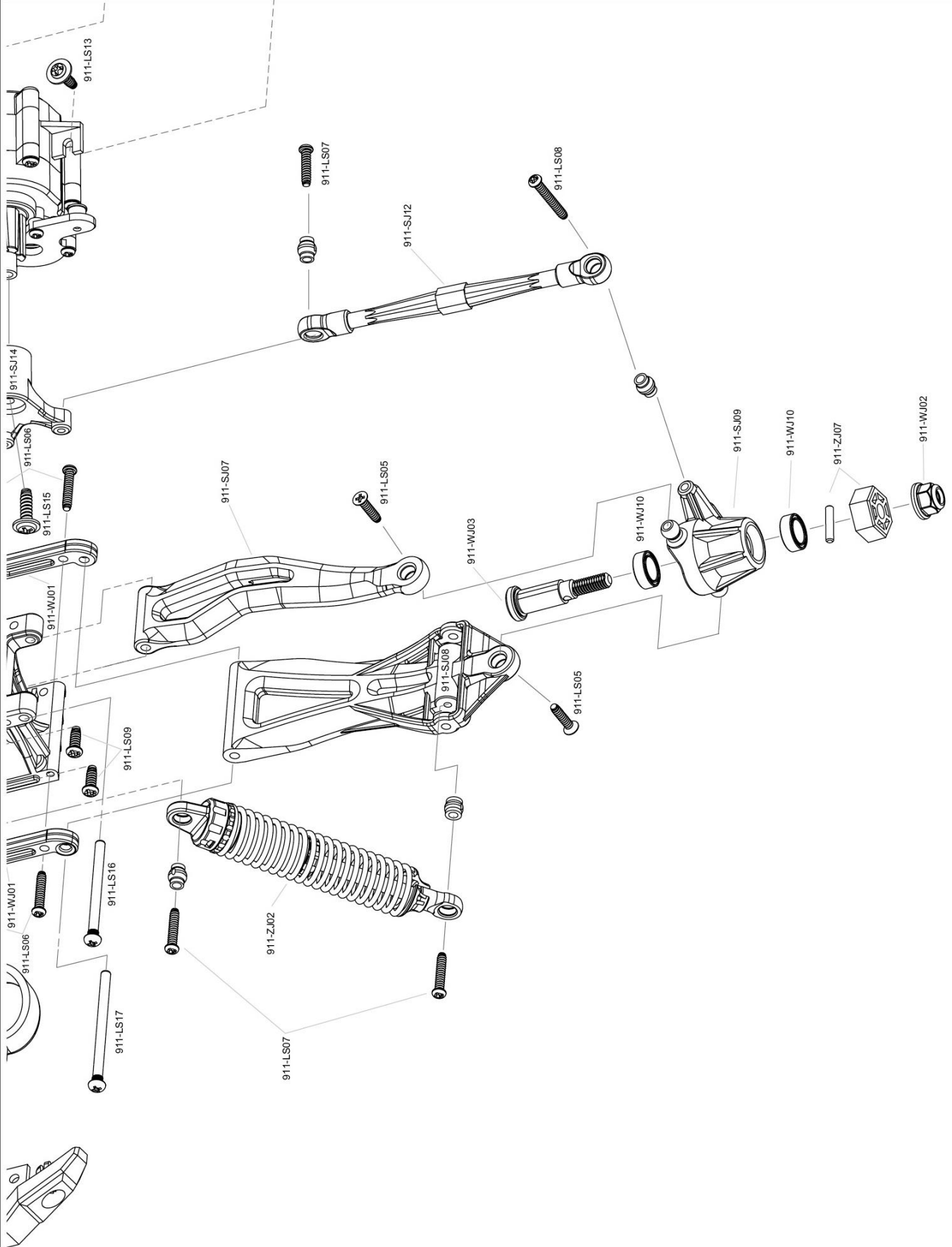
	
No.	911-DJ03
Product Name	charger
Specifications	
Quantity	1X1
Remarks	

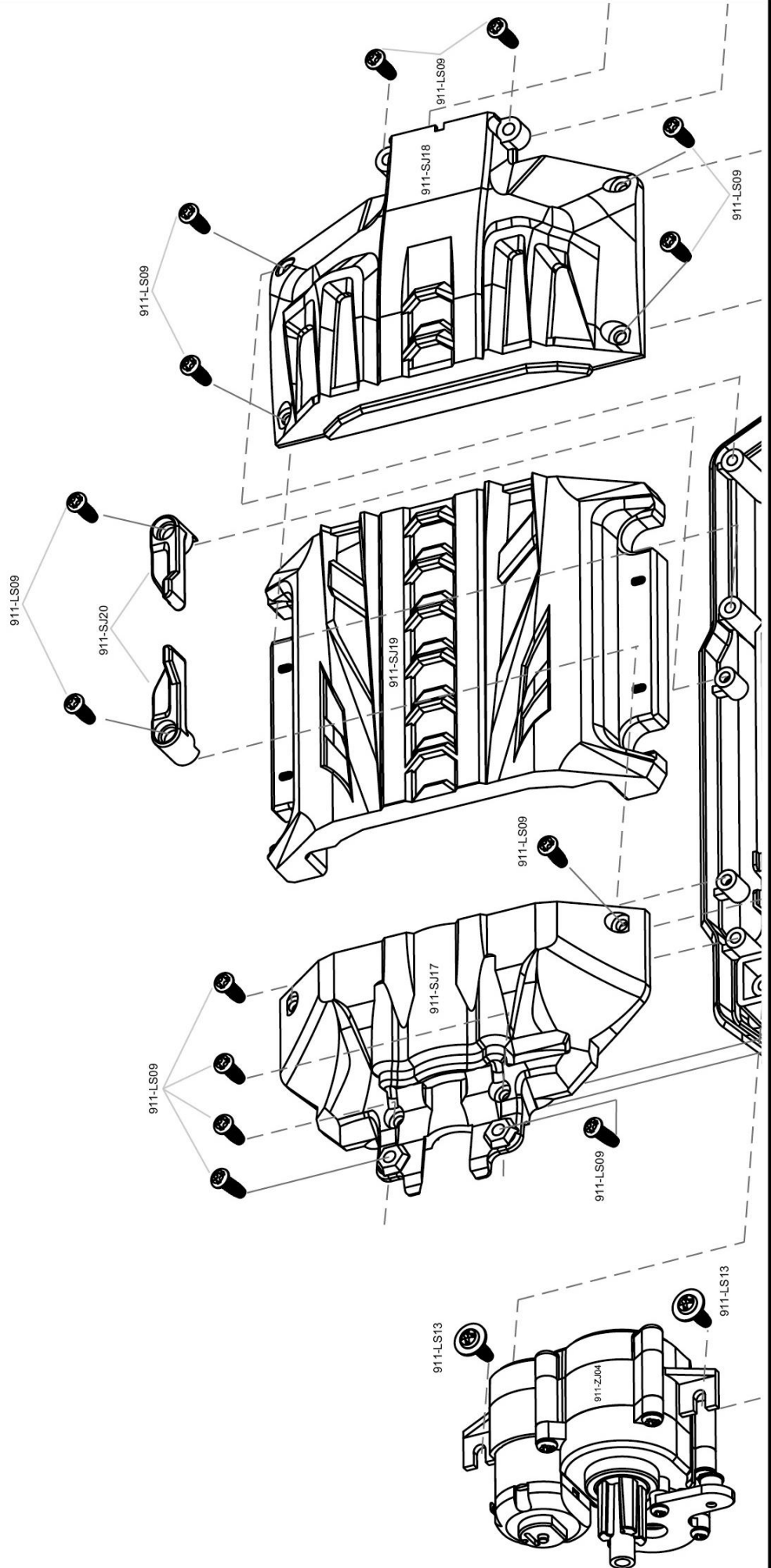
No.	911-DJ03
Product Name	charger
Specifications	
Quantity	1X1
Remarks	

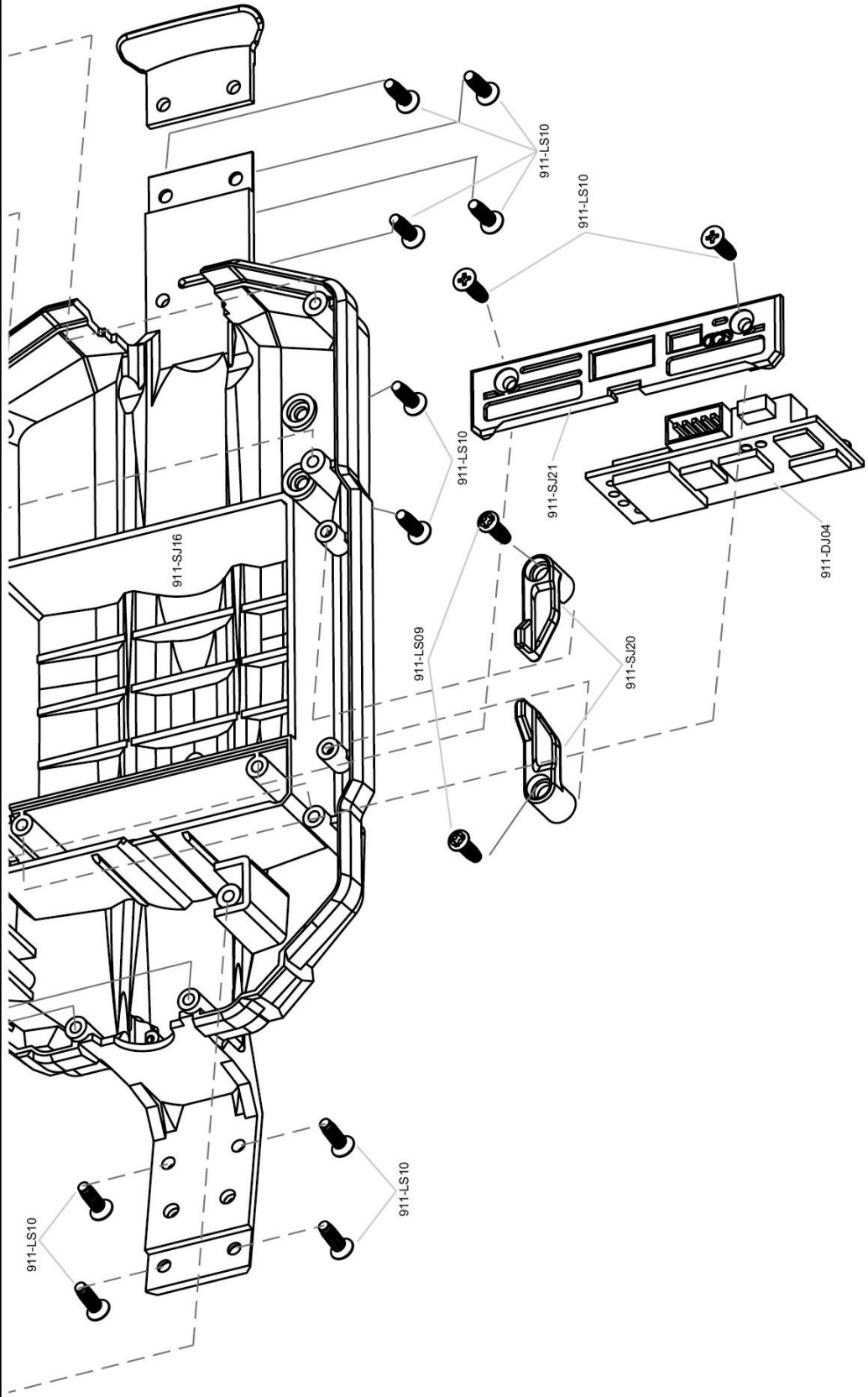
 **Notice:** UL/BS/GS/SA/PSE approval charge adapter also available for GP TOYS Luctan S912 Truggy.

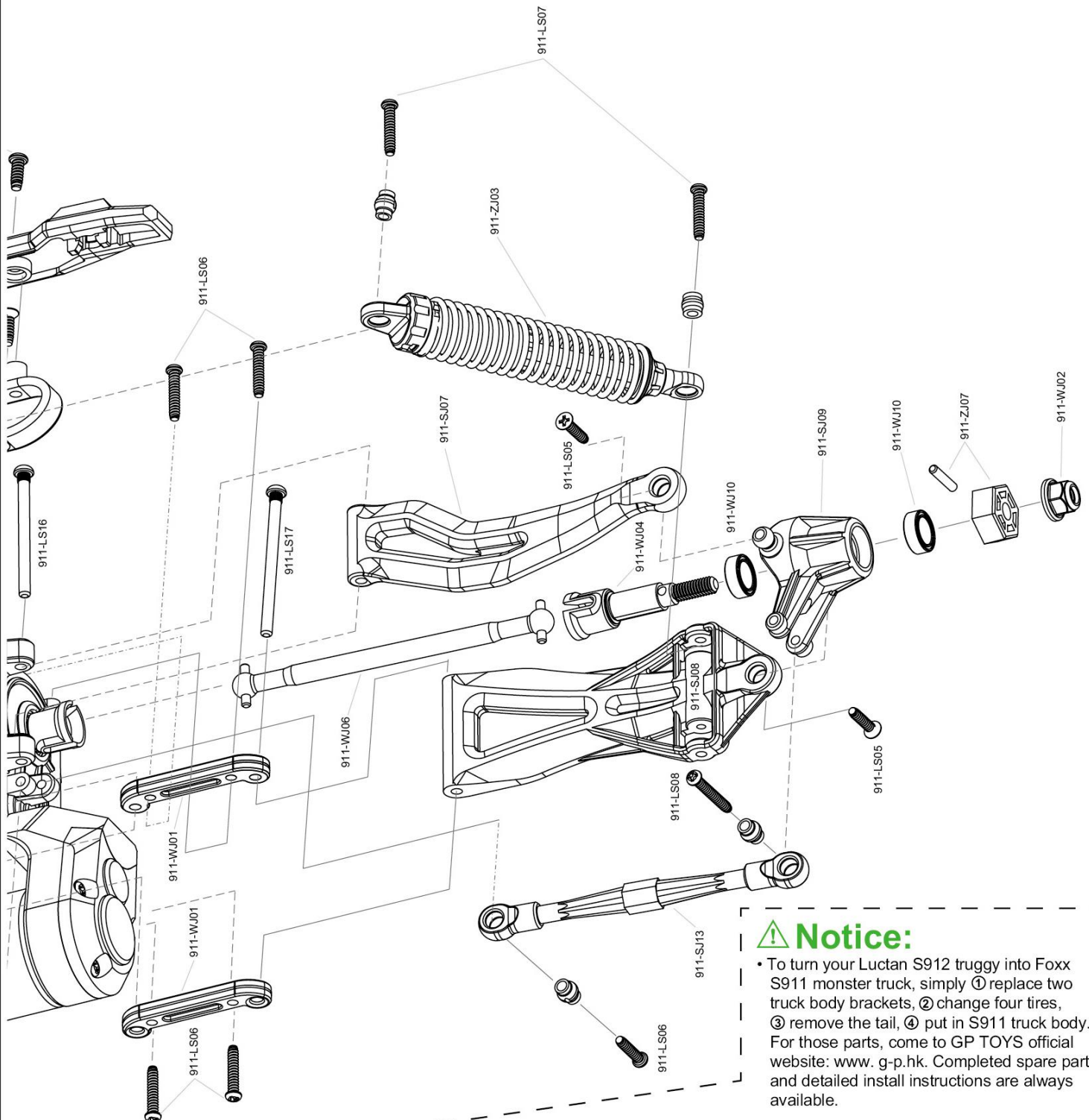






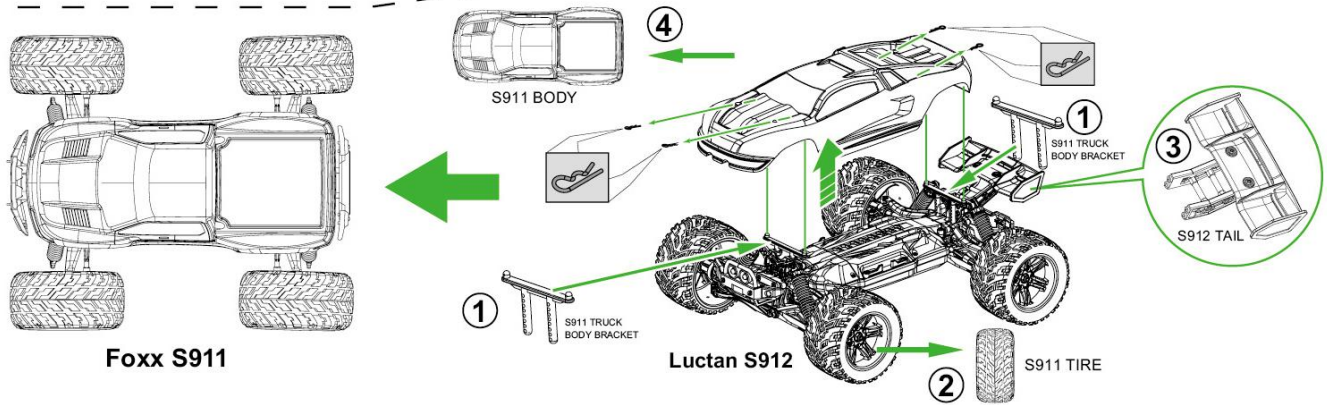






⚠ Notice:

• To turn your Luctan S912 truggy into Foxx S911 monster truck, simply ① replace two truck body brackets, ② change four tires, ③ remove the tail, ④ put in S911 truck body. For those parts, come to GP TOYS official website: www.g-p.hk. Completed spare parts and detailed install instructions are always available.

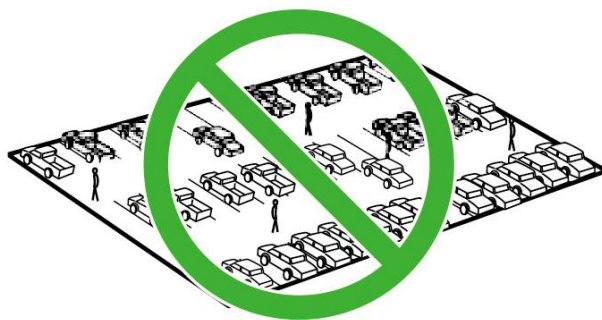


Foxx S911

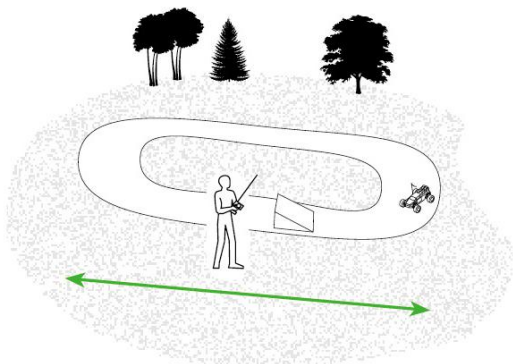
Luctan S912

OPERATION

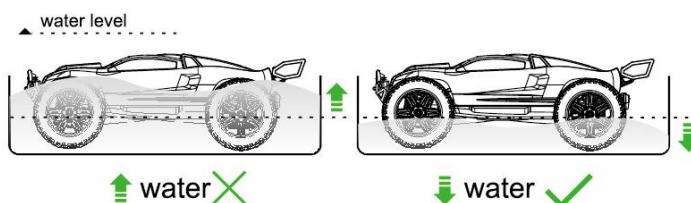
1. ALWAYS turn on your transmitter before you turn on the receiver in the vehicle. Always power off the receiver before turning your transmitter off.



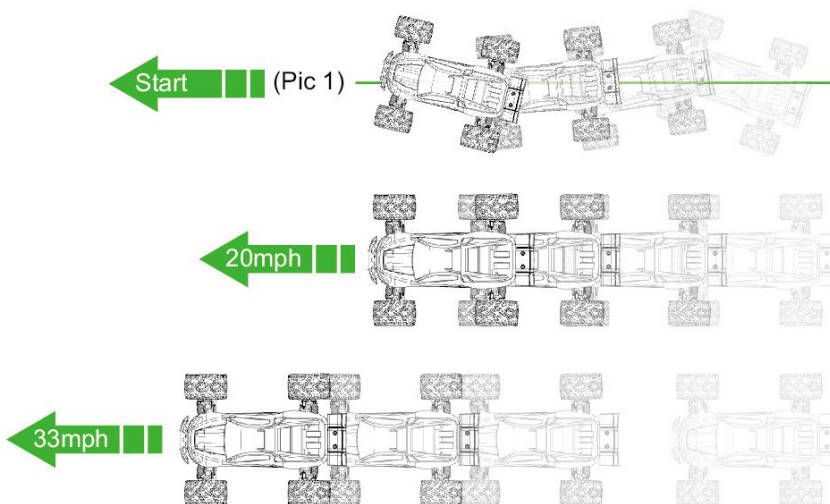
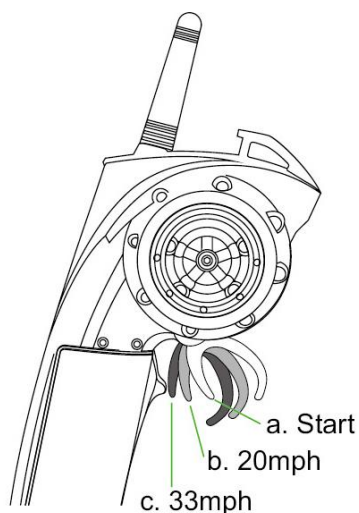
2. ALWAYS operate your vehicle in a wide open area. Operating the vehicle on slippery floor or indoors may crash because of the high speed.



3. WARNING: GP TOYS Luctan S912 waterproof feature, please be cautious that the water level should be lower than the bottom of the truggy. If excessive amount of water gets into the body of the truggy and cause damage or other related problems, GP TOYS will not be responsible for such damages. Customers will be responsible for any replacements and additional accessories if needed.



4. ALWAYS start with low speed, or the vehicle may slip or run on curves. (as shown on Pic 1) NEVER operate your vehicle in max speed. Operating the vehicle in highest speed may hurt yourself and damage your vehicle. If your vehicle is damaged, please visit: support.g-p.hk to buy spare parts and replace correctly.



MOTOR CARE

- Seat the motor brushes by driving smoothly on a flat surface during use of the first battery charge. Failing to do so can greatly reduce motor performance and functional life.
- Prolong motor life by preventing overheating conditions. Undue motor wear results from frequent turns, stops and starts, pushing objects, driving in deep water and tall grass, and driving continuously up hill.



TROUBLESHOOTING

Problem	Possible Cause	Solution
Short run time	<ul style="list-style-type: none"> • Battery damaged/not charged • Motor dirty or brushes worn 	<ul style="list-style-type: none"> • Check/change battery • Check/clean/replace
Sluggish action	<ul style="list-style-type: none"> • Motor dirty or brushes worn • Bind in drivetrain • Vehicle battery is not charged 	<ul style="list-style-type: none"> • Check/clean/replace • Clean/adjust • Replace/recharge
Do not operate	<ul style="list-style-type: none"> • Transmitter batteries low • Transmitter powered off • Vehicle battery is not charged 	<ul style="list-style-type: none"> • Replace/recharge • Power On • Replace/recharge
Poor range	<ul style="list-style-type: none"> • Low transmitter batteries • Receiver antenna damaged 	<ul style="list-style-type: none"> • Replace/recharge • Check/repair/replace
The system will not Connect	<ul style="list-style-type: none"> • Transmitter and receiver too near each other • Transmitter and receiver too near large metal objects (vehicles, etc.) • Receiver accidentally put in bind mode so receiver is no longer bound 	<ul style="list-style-type: none"> • Move transmitter 8–12 feet (2.4–3.6m) from receiver • Move away from large metal objects (vehicles, etc.) • Rebind transmitter and receiver
The receiver quits responding During operation	<ul style="list-style-type: none"> • Low battery voltage 	<ul style="list-style-type: none"> • Completely recharge battery
Receiver loses its bind	<ul style="list-style-type: none"> • Transmitter accidentally put in bind mode, ending bind to receiver 	<ul style="list-style-type: none"> • Bind transmitter to receiver

FC FCC PART 15 B Notice

CAUTION:

Changes or modifications not expressly approved by the party responsible for compliance could void the user's authority to operate the equipment.

NOTE:

This equipment has been tested and found to comply with the limits for a Class B digital device, pursuant to part 15 of the FCC Rules. These limits are designed to provide reasonable protection against harmful interference in a residential installation. This equipment generates, uses and can radiate radio frequency energy and, if not installed and used in accordance with the instructions, may cause harmful interference to radio communications. However, there is no guarantee that interference will not occur in a particular installation. IF this equipment does cause harmful interference to radio or television reception, which can be determined by turning the equipment off and on, the user is encouraged to try to correct the interference by one or more of the following measures:

- Reorient or relocate the receiving antenna.
- Increase the separation between the equipment and receiver.
- Connect the equipment into an outlet on a circuit different from that to which the receiver is connected.
- Consult the dealer or experienced radio/TV technician for help.

This device complies with part 15 of the FCC Rules. Operation is subject to the following two conditions:

- (1) this device may not cause harmful interference, and
- (2) this device must accept any interference received, including interference that may cause undesired operation.





CE Compliance for Users in the European Union

WEEE Compliance:

Please help the environment by disposing of your product responsibly at the end of its life. The wheeled bin symbol indicates that this product should not be disposed of in your household waste containers. Instead, the product should be disposed of by using a designated collection point for the recycling of waste electrical and electronic equipment. The Waste of Electrical and Electronic Equipment (WEEE) Directive (2002/96/EC) requires that the best available recycling techniques be employed to minimize the impact on the environment. Recycling electronics helps by keeping harmful chemicals out of the environment, and also saves money by reusing precious metals. Remove any batteries and dispose of them and the product at your local authority's recycling facility. For more information about where you can drop off your waste equipment for recycling, please contact your local city office, your household waste disposal service or the location where you purchased this product.

Declaration of Conformity for R&TTE Directive In accordance with IEC 17050-1

This is to certify that the following products conform to the requirements of the R&TTE Directive 99/5/EC and that all essential test suites have been carried out.

Product: 1/12th full proportional Monster Truck (S911)

1/12th full proportional Monster Truggy (S912)

Operating Frequency Range: 2406Mhz to 2453MHZ

Limited 90-Day Warranty

GP TOYS warrants to the original consumer that this product is free from any electrical or mechanical defects for a period of 90 DAYS from the date of purchase. The consumer should first try to resolve any product issues with the retailer where the purchase was made. If any such defect is discovered within the warranty period, and the retailer is not able to provide any assistance or product support, GP TOYS will repair or replace the unit free of charge upon receipt of the unit. Electronic components consist of radio system (transmitter, receiver, servos, switches, AC charge, adapters, and receiver battery holders) and other electronic component. The warranty covers normal consumer use and does not cover damage that occurs in shipment or failure that results from alternations, accident, misuse, abuse, neglect, wear and tear, inadequate maintenance, commercial use or unreasonable use of the unit. Removal of any parts/components voids all warranties. This warranty does not cover cost of repair made or attempted outside by third-party individuals or companies. Any applicable implied warranties, including warranties of merchantability and fitness, are hereby limited 90 DAYS from the date of purchase. Consequential or incidental damages resulting from a breach of any applicable express or implied warranties are hereby excluded. Some states do not allow limitations on the duration of implied warranties and do not allow exclusion of incidental or consequential damages, so the above limitations and exclusion in these instances may not apply.

REPAIR/REPLACE PRODUCT

If your product begins to malfunction or stop working, immediately email our warranty center at the email listed below. If it is determined that a return is necessary, our warranty department will issue you a RMA number and an address to the nearest return center for shipping the product to.

IMPORTANT NOTICE: We will reject all returns that are not accompanied by an issued RMA number, so make sure to contact our warranty center before attempting to return your product.



PREPARATION FOR SHIPPING YOUR PRODUCT

Please repack your product in a durable box, preferably in the original carton, and send it back, and adequately insured. Include the RMA number that was issued by our warranty department along with your daytime telephone number and email address (if available) inside the shipping carton. If your warranty has expired, contact our warranty center for charged service. For further information please send all inquiries to support@g-p.hk

IMPORTANT NOTICE

DO NOT ATTEMPT TO SHIP YOUR PRODUCT BACK WITHOUT FIRST CONTACTING OUR WARRANTY DEPARTMENT AT:

support@g-p.hk



For full details on the applicable warranty, please visit our website: support.g-p.hk

When shipping your item back, please fill out the following form completely and include it in your shipment so we can better assist you.

Name:				E-mail:			
RMA #:				Daytime Phone #:			
Address:							
City:		State/Province:			Zip/Country Code:		
Quantity	Model Number		Part Number		Description		
M	M	D	D	Y	Y	Purchase Date	Retailer
							If Amazon, Amazon Seller:
Where to buy:							





Luctan S912

1/12 Full Proportional 2WD Brush Truggy

TECHNICAL DATA:

Length/width/height: 32x26.5x15cm

Wheel base: 210mm

Track width: 220mm

Ground clearance: 40mm

Remote control range: 80m

Max speed: 33+mph

I'M HERE FOR YOU GP TOYS



WWW.G-P.HK



C E0890

