

honor 6 Plus

Quick Start Guide

Guide de démarrage rapide

Schnellstartanleitung

Guida di avvio rapido

Guía de inicio rápido

Guia de Início Rápido

Snelstartgids

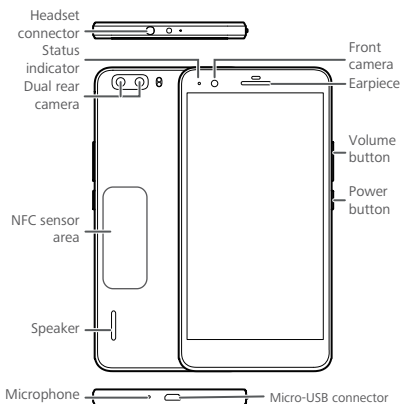
Contents

English	1
Français	21
Deutsch.....	45
Italiano	68
Español.....	90
Português.....	112
Nederlands	134

Your phone at a glance

Before you start, let's take a look at your new phone. Press and hold the power button to turn your phone on or off.

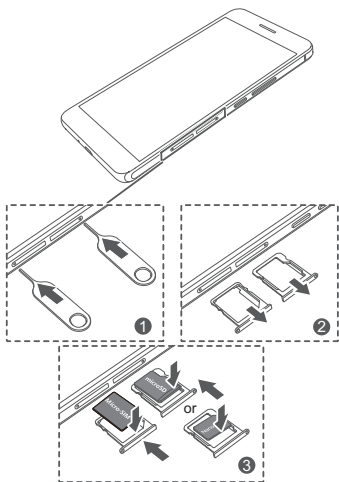
- i** To forcibly restart your phone, press and hold the power button until your phone vibrates.



Getting started

Follow the instructions in the following figures to set up your phone. Before you insert or remove the SIM card, power off your phone.

- ⊘ When using the SIM ejector pin, exercise caution to avoid injuring yourself or damaging your phone. Keep the pin away from children to prevent them from accidentally swallowing it or injuring themselves.
- ⚠ Insert your SIM card in the correct card slot; otherwise, your phone may not detect the card.




For more information

Encounter any issues while using your phone?

Touch  on your phone to open **HiCare**.

Want to obtain the full user guide?

Download the Honor 6 Plus User Guide from
<http://www.hihonor.com>.

-  All pictures and illustrations in this guide, including but not limited to the phone colour, size, and display content, are for your reference only. The actual product may vary. Nothing in this guide constitutes a warranty of any kind, express or implied.

Safety information

This section contains important information about how to use your device safely and how it operates. Read this information carefully before using your device.

Electronic device

Do not use your device if its use is prohibited or if it may cause danger or interference with other electronic devices.

Interference with medical equipment

- Please consult your doctor and the device manufacturer to determine if operation of your phone may interfere with the operation of your medical device.
- Adhere to any rules or regulations set forth by hospitals and health care facilities.

- Some wireless devices may affect the performance of hearing aids or pacemakers. For more information, contact your service provider.
- Pacemaker manufacturers recommend maintaining a minimum distance of 15 cm between a pacemaker and a wireless device to prevent potential interference with the pacemaker. If using a pacemaker, hold the device on the side opposite the pacemaker and do not carry the device in your front pocket.

Protecting your hearing when using a headset



- To prevent possible hearing damage, do not listen at high volume levels for long periods.
- Using a headset at high volumes may damage your hearing. To reduce this risk, lower the headset volume to a safe and comfortable level.
- Exposure to high volumes while driving may cause distraction and increase your risk of an accident.

Potentially Explosive Atmosphere

Power off your device in any area with a potentially explosive atmosphere, and comply with all signs and instructions. Areas that may have potentially explosive atmospheres include the areas where you would normally be advised to turn off your vehicle engine. Triggering of sparks in such areas could cause an explosion or a fire, resulting in bodily injuries or even deaths. Do not power on your device at refueling points

such as service stations. Comply with restrictions on the use of radio equipment in fuel depots, storage, and distribution areas, and chemical plants. In addition, adhere to restrictions in areas where blasting operations are in progress. Before using the device, watch out for areas that have potentially explosive atmospheres that are often, but not always, clearly marked. Such locations include areas below the deck on boats, chemical transfer or storage facilities, and areas where the air contains chemicals or particles such as grain, dust, or metal powders. Ask the manufacturers of vehicles using liquefied petroleum gas (such as propane or butane) whether this device can be safely used in their vicinity.

Traffic safety

- Adhere to local laws and regulations while using the device. To reduce the risk of accidents, do not use your device while driving.
- Concentrate on driving. Your first responsibility is to drive safely.
- Do not hold the device while driving. Use hands-free accessories.
- If you must make or answer a call, stop your vehicle at a safe location first.
- The signals from the device may interfere with the electronic systems of motor vehicles. For more information, contact the vehicle manufacturer.
- Do not place the device over an air bag or in the deployment area of an air bag in a motor vehicle. Doing so may cause injury if the air bag deploys.

- Do not use the wireless functions of your device while flying or while boarding an aeroplane. Doing so may interfere with the aeroplane's systems and may be illegal.

Operating environment

- Avoid environments in which there is dust, damp, dirt, or magnetic fields. Using the device in these environments may cause it to malfunction.
- Do not use your device during thunderstorms to protect your device against any danger caused by lightning.
- Ideal operating temperatures are 0°C to 35°C. Ideal storage temperatures are -20°C to 70°C. Extreme heat or cold may damage your device or accessories.
- Do not expose your device to direct sunlight (such as on a car dashboard) for prolonged periods.
- To protect your device or accessories from fire or electrical shock hazards, avoid rain and moisture.
- Keep the device away from sources of heat and fire, such as a heater, microwave oven, stove, water heater, radiator, or candle.
- Do not place sharp metal objects, such as pins, near the earpiece or speaker. The earpiece may attract these objects and result in injury.
- If the device overheats, close any running applications or stop using it until it cools down. If skin is exposed to an overheated device for an

extended period, low-temperature burn symptoms, such as red spots or darker pigmentation, may occur.

- Do not use your device's camera flash directly in the eyes of people or pets. Otherwise, a temporary loss of vision or damage to the eyes may occur.
- Do not touch the device's antenna. Otherwise, communication quality may be reduced.
- Do not allow children or pets to bite or suck the device or accessories. Doing so may result in damage or explosion.
- Adhere to local laws and regulations, and respect the privacy and legal rights of others.

Child's safety

- Keep the device and its accessories away from children and take all necessary precautions to ensure their safety. The device includes detachable parts that may present a choking hazard.
- The device and its accessories are not intended for use by children. Children should use the device only under direct adult supervision.

Accessories

- Using an unapproved or incompatible power adapter, charger, or battery may cause a fire, explosion, or other hazards.
- Use only approved accessories. The use of unapproved accessories may void the warranty, may violate local regulations and laws, and may be dangerous. For information about the availability of

approved accessories in your area, contact your retailer.

Charger safety

- For pluggable devices, the socket-outlet shall be installed near the devices and shall be easily accessible.
- Unplug the charger from the electric socket and from the device when not in use.
- Do not drop or cause an impact to the charger.
- If the power cable is damaged or the plug is loose, stop using it immediately. Continued use may lead to an electric shock, short circuit, or fire.
- Do not touch the power cable with wet hands or pull it to disconnect the charger.
- Do not touch the device or the charger with wet hands. Doing so may lead to an electric shock, short circuit, or malfunction.
- If your charger has been exposed to liquid or excessive moisture, take it to an authorised service centre for inspection.
- Ensure that the charger complies with Clause 2.5 in IEC60950-1/EN60950-1/UL60950-1 and has been tested and approved according to national or local standards.
- Connect the device only to products that display the USB-IF logo or that comply with the USB-IF program.

Battery safety

- Do not bridge the battery terminals with conductive material, such as keys or jewellery. Doing so will short-circuit the battery and may cause injury.
- Keep the battery away from excessive heat and direct sunlight. Do not place it on or in heating devices, such as microwave ovens, stoves, or radiators. Batteries may explode if overheated.
- Do not attempt to modify the battery, insert foreign objects into it, or immerse or expose it to liquids. Doing so may lead to fire, explosion, or other hazards.
- If the battery leaks, ensure that the electrolyte does not make contact with your skin or eyes. If contact is made, immediately flush with clean water and consult a doctor.
- If battery deformation occurs, it changes colour, or it overheats while charging or storing, stop using the device immediately and remove the battery. Continued use may lead to battery leakage, fire, or explosion.
- Do not dispose of batteries in fire as they may explode. Damaged batteries may also explode.
- Dispose of used batteries in accordance with local regulations. Improper battery use may lead to fire, explosion, or other hazards.
- Do not allow children or pets to bite or suck the battery. Doing so may result in damage or explosion.

- Do not damage the battery or expose it to high external pressure. Doing so may lead to a short circuit or overheating.
- Do not drop the device or battery. Doing so may damage the device or battery.
- If the device standby time shortens significantly, replace the battery.
- The device has a built-in, non-removable battery. Do not attempt to remove it. Doing so may damage the device. To replace the battery, take the device to an authorised service centre.

Cleaning and maintenance

- Keep the device and accessories dry. Do not attempt to dry it with an external heat source, such as a microwave oven or hair dryer.
- Do not expose your device or accessories to extreme heat or cold, which may interfere with proper function and may lead to fire or explosion.
- Avoid collision, which may lead to device malfunctions, overheating, fire, or explosion.
- Before you clean or maintain the device, stop using it, close all applications, and disconnect all cables connected to it.
- Do not use chemical detergents, powders, or other agents (such as alcohol or benzene) to clean the device or accessories. These substances may cause damage to parts or present a fire hazard. Use a clean,

soft, and dry cloth to clean the device and accessories.

- Do not place magnetic stripe cards, such as bankcards and phone cards, near the device for extended periods of time. Otherwise, these cards may be damaged.
- Do not dismantle or attempt to modify the device or its accessories. This voids the warranty and releases the manufacturer from liability for damage. In case of damage, contact an authorised service centre for assistance or repair.
- If the device screen is damaged, stop using the device immediately. Do not touch or attempt to remove the broken parts. Contact an authorised service centre as soon as possible.

Emergency calls

The availability of emergency calls is subject to the signal quality, service provider policy, and local laws and regulations. Never rely solely on your device for critical communications such as medical emergencies.

Disposal and recycling information



This symbol (with or without a solid bar) on the device, batteries (if included), and/or the packaging, indicates that the device, its electrical accessories (for example, a headset, adapter, or cable), and batteries

should not be disposed of as household garbage. These items should not be disposed of as unsorted municipal waste and should be taken to a certified collection point for recycling or proper disposal.

For more detailed information about device or battery recycling, contact your local city office, household waste disposal service, or retail store.

Disposal of the device and batteries (if included) is subject to WEEE Directive Recast (Directive 2012/19/EU) and Battery Directive (Directive 2006/66/EC). The purpose of separating WEEE and batteries from other waste is to minimise the potential environmental impacts and human health risk of any hazardous substances that may be present.

Reduction of hazardous substances

This device is compliant with the REACH Regulation [Regulation (EC) No 1907/2006] and RoHS Directive Recast (Directive 2011/65/EU). Batteries (if included) are compliant with the Battery Directive (Directive 2006/66/EC). For up-to-date information about REACH and RoHS compliance, visit the website <http://www.hihonor.com>.

EU regulatory conformance

Body worn operation

The device complies with RF specifications when used near your ear or at a distance of 1.5 cm from your body. Ensure that the device accessories, such as a device case and device holster, are not composed of metal components. Keep the device away from your body to meet the distance requirement.

Certification information (SAR)

This device meets guidelines for exposure to radio waves. Your device is a low-power radio transmitter and receiver. As recommended by international guidelines, the device is designed not to exceed the limits for

exposure to radio waves. These guidelines were developed by the International Commission on Non-Ionizing Radiation Protection (ICNIRP), an independent scientific organisation, and include safety measures designed to ensure the safety of all users, regardless of age and health.

The Specific Absorption Rate (SAR) is the unit of measurement for the amount of radio frequency energy absorbed by the body when using a device. The SAR value is determined at the highest certified power level in laboratory conditions, but the actual SAR level during operation can be well below the value. This is because the device is designed to use the minimum power required to reach the network.

The SAR limit adopted by Europe is 2.0 W/kg averaged over 10 grams of tissue, and the highest SAR value for this device complies with this limit.

The highest SAR value reported for this device type when tested at the ear is 0.284 W/kg, and when properly worn on the body is 0.464 W/kg.

Statement

Huawei Technologies Co., Ltd. hereby declares that this device complies with the essential requirements and other relevant provisions of Directive 1999/5/EC and Directive 2011/65/EU.

For the declaration of conformity, visit the website <http://www.hihonor.com>.

The following marking is included in the product:

CE 0197 Ⓢ

This device may be operated in all member states of the EU.

Adhere to national and local regulations where the device is used.

This device may be restricted for use, depending on the local network.

Restrictions in the 2.4 GHz band:

Norway: This subsection does not apply for the geographical area within a radius of 20 km from the centre of Ny-Ålesund.

Restrictions in the 5 GHz band:

WLAN function of this device is restricted only to indoor use when operating in the 5150 to 5350 MHz frequency range.

Personal Information and Data Security

The use of some functions or third-party applications on your device could result in your personal information and data being lost or becoming accessible to others. Several measures are recommended to help you protect personal and confidential information.

- Place your device in a safe area to prevent it from unauthorized use.
- Set your device screen to lock and create a password or unlock pattern to open it.

- Periodically back up personal information kept on your USIM/SIM card, memory card, or stored in your device memory. If you change to a different device, be sure to move or delete any personal information on your old device.
- If you are worried about viruses when you receive messages or emails from a stranger, you can delete them without opening them.
- If you use your device to browse the Internet, avoid websites that might pose a security risk to avoid theft of your personal information.
- If you use services such as Wi-Fi tethering or Bluetooth, set passwords for these services to prevent unauthorized access. When these services are not in use, turn them off.
- Install or upgrade device security software and regularly scan for viruses.
- Be sure to obtain third-party applications from a legitimate source. Downloaded third-party applications should be scanned for viruses.
- Install security software or patches released by Huawei or third-party application providers.
- Some applications require and transmit location information. As a result, a third-party may be able to share your location information.
- Your device may provide detection and diagnostic information to third-party application providers. Third party vendors use this information to improve their products and services.

Legal Notice


Copyright © Huawei Technologies Co., Ltd. 2015. All rights reserved.

This document, whether in part or whole, shall not be reproduced or transmitted in any way, shape, or form without the prior written consent of Huawei Technologies Co., Ltd. and its affiliates ("Huawei").

The product described in this document may include software that is the copyright of Huawei or its licensors. Such software shall not be reproduced, distributed, modified, decompiled, disassembled, decrypted, extracted, reverse engineered, leased, assigned, or sublicensed unless such restrictions are prohibited by law or such actions are approved by the copyright holder.

Trademarks and Permissions



honor, HUAWEI, HUAWEI and  are trademarks or registered trademarks of Huawei Technologies Co., Ltd.

Android™ is a trademark of Google Inc.

LTE is a trade mark of ETSI.

The *Bluetooth*® word mark and logos are registered trademarks owned by *Bluetooth SIG, Inc.* and any use of such marks by Huawei Technologies Co., Ltd. is under license.

Other trademarks, products, services and company names mentioned herein may be the property of their respective owners.

Notice

Some features of the product and its accessories described herein rely on the software installed or the capacities and settings of the local network, and therefore may not be activated or may be limited by local network operators or network service providers.

Therefore, the descriptions herein may not exactly match the purchased product or its accessories.

Huawei reserves the right to change or modify any information or specifications contained in this document at any time without prior notice and without any liability.

Third-Party Software Statement

Huawei does not own the intellectual property of the third-party software and applications that are delivered with this product. Therefore, Huawei will not provide any warranty of any kind for third-party software and applications. Neither will Huawei provide support to customers who use third-party software and applications, nor be responsible or liable for the functions or performance of third-party software and applications.

Third-party software and applications services may be interrupted or terminated at any time, and Huawei does not guarantee the availability of any content or service. Third-party service providers provide content and services through network or transmission tools outside of the control of Huawei. To the greatest extent permitted by applicable law, it is explicitly stated that Huawei shall not compensate or be liable for services provided by third-party service providers, or the

interruption or termination of third-party contents or services.

Huawei shall not be responsible for the legality, quality, or any other aspects of any third-party software installed on this product, or for any uploaded or downloaded third-party works in any form, including but not limited to texts, images, videos, or software etc. Customers shall bear the risk for any and all effects, including incompatibility between the software and this product, which result from installing software or uploading or downloading the third-party works.

This product is based on the open-source Android™ platform. Huawei has made necessary changes to the platform. Therefore, this product may not support all the functions that are supported by the standard Android platform or may be incompatible with third-party software. Huawei does not provide any warranty or representation in connect with any such compatibility and expressly excludes all liability in connection with such matters.

DISCLAIMER

ALL CONTENTS OF THIS DOCUMENT ARE PROVIDED "AS IS". EXCEPT AS REQUIRED BY APPLICABLE LAWS, NO WARRANTIES OF ANY KIND, EITHER EXPRESS OR IMPLIED, INCLUDING BUT NOT LIMITED TO, THE IMPLIED WARRANTIES OF MERCHANTABILITY AND FITNESS FOR A PARTICULAR PURPOSE, ARE MADE IN RELATION TO THE ACCURACY, RELIABILITY OR CONTENTS OF THIS DOCUMENT.

TO THE MAXIMUM EXTENT PERMITTED BY APPLICABLE LAW, UNDER NO CIRCUMSTANCES SHALL HUAWEI BE

LIABLE FOR ANY SPECIAL, INCIDENTAL, INDIRECT, OR CONSEQUENTIAL DAMAGES, OR LOSS OF PROFITS, BUSINESS, REVENUE, DATA, GOODWILL SAVINGS OR ANTICIPATED SAVINGS REGARDLESS OF WHETHER SUCH LOSSES ARE FORSEEABLE OR NOT.

THE MAXIMUM LIABILITY (THIS LIMITATION SHALL NOT APPLY TO LIABILITY FOR PERSONAL INJURY TO THE EXTENT APPLICABLE LAW PROHIBITS SUCH A LIMITATION) OF HUAWEI ARISING FROM THE USE OF THE PRODUCT DESCRIBED IN THIS DOCUMENT SHALL BE LIMITED TO THE AMOUNT PAID BY CUSTOMERS FOR THE PURCHASE OF THIS PRODUCT.

Import and Export Regulations

All applicable export or import laws and regulations must be complied with and all necessary governmental permits and licenses must be obtained before exporting or importing the product, including the software and technical data, described in this document.

Privacy Policy

To better understand how we protect your personal information, please see our privacy policy at <http://www.hihonor.com>.

Declaration of Conformity

according to the Radio Equipment and Telecommunications Terminal
Equipment Directive 1999/5/EC

For the following equipment

Product name : Smart Phone
Model : PE-TL10
Manufacturer's Name : Huawei Technologies Co., Ltd.
Manufacturer's Address : Administration Building, Headquarters of Huawei
Technologies Co., Ltd., Bantian, Longgang
District, Shenzhen, 518129, P.R.C

is herewith confirmed to comply with the requirements set out in the Council
Directive 1999/5/EC for radio equipment and telecommunications terminal equipment.
For the evaluation of the compliance with this Directive, the following standards
were applied:

Safety: EN 60950-1:2006/A11:2009/A1:2010/A12:2011;

Health: EN 50566:2013; EN 62479:2010; EN 62209-1:2006; EN 62209-2:2010; EN
62311:2008; EN 50360:2001/A1:2012;

EMC : EN 301 489-1 V1.9.2; EN 301 489-3 V1.6.1;

EN 301 489-7 V1.3.1; EN 301 489-17 V2.2.1; EN 301 489-24 V1.5.1

Radio: EN 301 511 V9.0.2; EN 300 440-1 V1.6.1; EN 300 440-2 V1.4.1; EN 301 908-1
V6.2.1; EN 301 908-2 V6.2.1; EN 301 908-13 V6.2.1; EN 300 328 V1.8.1; EN
301 893 V1.7.1

The product is marked with the CE mark and Notified Body number according to the
Directive 1999/5/EC:

Notified Body : TÜV Rheinland LGA Products GmbH Notified Body number: 0197

Responsible for making this declaration is the:

Manufacturer Authorised representative established within the EU

Person responsible for making this declaration

Name, Surname : KangYing

Position/Title : Regulatory Compliance Manager

Shenzhen 2015-03-11
(Place) (Date)

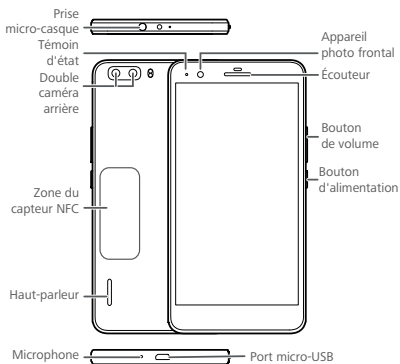
KangYing
(Company stamp and legal signature)



Votre téléphone en un clin d'œil

Commençons par une vue générale de votre téléphone. Maintenez le bouton d'alimentation appuyé pour allumer ou éteindre votre téléphone.

- i** Pour un rallumage forcé, maintenez le bouton d'alimentation appuyé jusqu'à la vibration de votre téléphone.

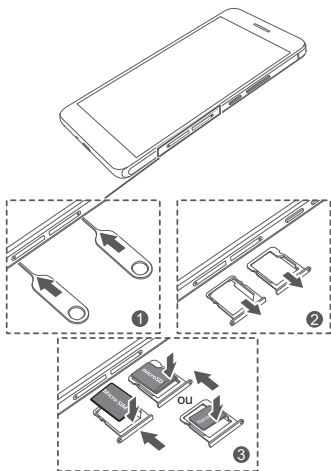


Commencer

Suivez les instructions des illustrations suivantes pour installer votre téléphone. Eteindre votre téléphone avant d'insérer ou de retirer une carte SIM.

⊘ Veuillez faire attention lors de l'utilisation d'une épingle à éjection de SIM afin d'éviter de vous faire mal aux doigts ou d'endommager votre téléphone. Rangez votre cette épingle dans un endroit sécurisé inaccessible aux enfants afin de prévenir les risques d'avalement ou de blessures accidentelles.

⚠ Insérez la carte SIM dans l'emplacement exact pour assurer sa reconnaissance par votre téléphone.




Pour plus d'informations

Vous rencontrez des problèmes avec votre téléphone ?

Touchez  sur votre téléphone pour ouvrir **HiCare**.

Vous souhaitez obtenir le guide d'utilisation complet ?

Télécharger le Honor 6 Plus Guide d'utilisation depuis <http://www.hihonor.com>.

-  Toutes les photos et illustrations de ce guide, y compris mais sans y être limité la couleur, la taille et contenu de l'écran du téléphone, sont fournis à titre indicatif seulement. Le produit réel peut s'avérer différent. Ce guide ne constitue aucunement une garantie, qu'elle soit explicite ou implicite.

Informations relatives à la sécurité

Cette section contient des informations importantes relatives à l'utilisation de votre appareil. Elle contient également des informations sur la manière d'utiliser votre appareil en toute sécurité. Veuillez lire attentivement ces informations avant d'utiliser votre appareil.

Précautions à prendre:

Pour les personnes porteuses d'implants électroniques, il est préférable de mettre le téléphone mobile à une distance de 15 cm ou à l'opposé de l'implant.

Conseils d'utilisation:

Aucun danger lié à l'utilisation d'un téléphone mobile n'ayant été constaté, ceci est à titre de prévention.

Pour réduire le niveau d'exposition au rayonnement, il est recommandé d'utiliser le téléphone mobile:

*dans de **bonnes conditions de réception**,

*lorsque les paramètres d'indication du signal affichent un **signal complet** de **bonne réception**.

Il est recommandé d'utiliser un kit mains libres.

Il est recommandé d'éloigner les téléphones mobiles du ventre des femmes enceintes et du bas ventre des adolescents.

Appareil électronique

N'utilisez pas votre appareil quand cela est interdit.

N'utilisez pas l'appareil si celui-ci peut provoquer un danger ou créer des interférences avec d'autres appareils électroniques.

Interférences avec des équipements médicaux

- Consultez un médecin et le fabricant de l'appareil pour savoir si le fonctionnement du téléphone peut interférer avec vos appareils médicaux.
- Suivez les règles et réglementations établies par les hôpitaux et les centres de santé. N'utilisez pas votre appareil dans un endroit où cela est interdit.
- Certains appareils sans fil peuvent affecter les performances des appareils auditifs ou des stimulateurs cardiaques. Consultez votre fournisseur de services pour de plus amples informations.

- Les fabricants de stimulateurs cardiaques recommandent de laisser un écart minimum de 15 cm entre un appareil et un stimulateur cardiaque afin d'empêcher des interférences potentielles avec le stimulateur. Si vous utilisez un stimulateur cardiaque, tenez l'appareil du côté opposé au stimulateur cardiaque et ne portez pas l'appareil dans votre poche avant.

Protection de l'audition lors de l'utilisation d'écouteurs



- Pour prévenir tout risque de lésions auditives, évitez d'écouter à volume élevé pendant de longues périodes.
- L'utilisation d'écouteurs à volume élevé peut provoquer des lésions auditives. Afin de réduire ce risque, diminuez le volume sonore des écouteurs jusqu'à un niveau sûr et confortable.
- L'exposition à des volumes sonores élevés pendant la conduite peut entraîner des distractions et augmenter les risques d'accidents.

Atmosphères potentiellement explosives

Éteignez votre appareil dans tout environnement potentiellement explosif et conformez-vous aux instructions et signalisations. Les zones comportant des risques d'explosion comprennent les zones dans lesquelles vous devez couper le moteur de votre véhicule. La projection d'étincelles dans de telles zones pourrait provoquer une explosion ou un incendie, entraînant des

blessures corporelles ou la mort. N'utilisez pas l'appareil dans des points de ravitaillement tels que des stations-services. Conformez-vous aux restrictions sur l'utilisation d'équipements radio dans des zones de dépôt de combustibles, de stockage et de distribution et des usines chimiques. Conformez-vous également aux restrictions dans les zones où des explosions sont en cours. Avant d'utiliser l'appareil, identifiez les zones comportant des risques d'explosion qui ne sont pas toujours correctement signalées. Les endroits de cette nature sont les zones situées sous le pont des bateaux, les complexes de transfert de produits chimiques ou de stockage et les zones dans lesquelles l'air contient des produits chimiques ou des particules, telles que grain, poussière ou poussières métalliques. Renseignez-vous auprès des fabricants de véhicules GPL (au propane ou au butane) sur les précautions à prendre en cas d'usage de l'appareil à proximité desdits véhicules.

Sécurité routière

- Respectez les lois et réglementations locales en vigueur lorsque vous utilisez l'appareil. Afin de réduire les risques d'accidents, n'utilisez pas votre appareil sans fil en conduisant.
- Concentrez-vous sur la conduite. Votre première priorité est de conduire en toute sécurité.
- Ne tenez pas l'appareil à la main lorsque vous êtes au volant. Utilisez les accessoires de kit mains libres.
- Si vous devez passer un appel téléphonique ou y répondre, gardez-vous d'abord de manière sûre.

- Les signaux RF peuvent affecter les systèmes électroniques des véhicules. Pour plus d'informations, adressez-vous au fabricant du véhicule.
- Dans un véhicule, ne placez pas l'appareil sur l'airbag ou dans sa zone de déploiement. Vous risqueriez d'être blessé(e) à cause de la force importante dégagée lors du déploiement de l'airbag.
- N'utilisez pas votre appareil à bord d'un avion ou juste avant l'embarquement. L'utilisation d'appareils sans fil dans un avion peut perturber les réseaux sans fil, présenter un danger au niveau du fonctionnement de l'avion ou être illégale.

Environnement d'exploitation

- Évitez les environnements poussiéreux, humides ou sales. Évitez les champs magnétiques. L'utilisation de l'appareil dans ces environnements peut entraîner des dysfonctionnements des circuits.
- N'utilisez pas votre appareil en cas d'orage afin de le protéger contre tout danger causé par la foudre.
- Les températures d'utilisation idéales sont entre 0°C et 35°C. Les températures de stockage idéales sont entre -20°C et 70°C. Des températures extrêmement froides ou chaudes peuvent endommager votre appareil ou les accessoires.
- N'exposez pas votre appareil aux rayons directs du soleil (par exemple sur le tableau de bord d'un véhicule) pendant de longues périodes.

- Afin de protéger votre appareil ou ses accessoires des risques d'incendie ou d'électrocution, évitez de les exposer à la pluie et à l'humidité.
- Conservez l'appareil à l'écart des sources de chaleur et de flammes, telles qu'un radiateur, un four à micro-ondes, une cuisinière, une bouilloire ou une bougie.
- Ne placez pas d'objets métalliques pointus, tels que des épingles, à côté de l'oreillette ou du micro. L'écouteur risque d'attirer ces objets et d'entraîner des blessures.
- Cessez d'utiliser l'appareil ou ses applications pendant un certain temps si l'appareil est en surchauffe. En cas d'exposition de la peau à un appareil en surchauffe pendant une période prolongée, des symptômes de brûlures légères, tels que des tâches rouges et des pigmentations plus foncées, peuvent se produire.
- Ne dirigez pas le flash de l'appareil photo de votre appareil directement vers les yeux de personnes ou d'animaux. Cela pourrait entraîner des pertes temporaires de la vision ou des dommages oculaires.
- Ne touchez pas l'antenne de l'appareil. Sinon, la qualité de la communication pourrait être réduite.
- Ne laissez pas les enfants ou les animaux de compagnie mordre ou sucer l'appareil ou les accessoires. Cela pourrait entraîner des dommages ou une explosion.

- Respectez les lois et réglementations locales et respectez la vie privée et les droits légaux d'autrui.

Sécurité des enfants

- Respectez toutes les précautions en matière de sécurité des enfants. Il peut se révéler dangereux de laisser les enfants jouer avec l'appareil ou avec ses accessoires. L'appareil comporte des pièces amovibles susceptibles de présenter un danger de suffocation. Tenir à distance des enfants.
- L'appareil et ses accessoires ne sont pas conçus pour être utilisés par des enfants. Les enfants ne doivent utiliser l'appareil que sous la surveillance d'un adulte.

Accessoires

- L'utilisation d'un adaptateur d'alimentation, d'un chargeur ou d'une batterie non approuvé(e) ou incompatible peut entraîner un incendie, une explosion ou d'autres dangers.
- Seuls les accessoires approuvés par le fabricant de l'appareil pour une utilisation avec ce modèle peuvent être utilisés. L'utilisation de tout autre type d'accessoires peut entraîner la nullité de la garantie, enfreindre les réglementations et lois locales et être dangereuse. Veuillez contacter votre détaillant pour obtenir plus d'informations sur la disponibilité, près de chez vous, d'accessoires agréés.

Sécurité du chargeur

- Pour les appareils enfichables, la prise de courant doit être installée près des appareils et être facile d'accès.

- Débranchez le chargeur de la prise électrique et de l'appareil lorsque vous ne l'utilisez pas.
- Ne faites pas tomber le chargeur et ne le soumettez pas à des chocs.
- Si le câble d'alimentation est endommagé (par exemple, si le cordon est à nu ou le câble coupé) ou si la prise est desserrée, arrêtez immédiatement d'utiliser le câble. La poursuite de l'utilisation pourrait provoquer une électrocution, des courts-circuits ou un incendie.
- Ne touchez pas le câble d'alimentation avec des mains mouillées et ne tirez pas dessus pour débrancher le chargeur.
- Ne touchez pas l'appareil ou le chargeur si vous avez les mains mouillées. Cela pourrait provoquer des courts-circuits, des dysfonctionnements ou des électrocutions.
- Si votre chargeur a été exposé à de l'eau, à d'autres liquides ou à une humidité excessive, faites-le inspecter dans un centre de réparation agréé.
- Assurez-vous que le chargeur respecte les exigences de l'article 2.5 de la norme IEC60950-1/EN60950-1/UL60950-1 et qu'il a été testé et approuvé conformément aux normes nationales ou locales.
- Branchez l'appareil uniquement à des produits portant le logo USB-IF ou ayant satisfait au programme de conformité USB-IF.

Sécurité de la batterie

- Ne mettez pas en contact les pôles de la batterie avec des éléments conducteurs tels que des clés, des bijoux ou d'autres éléments métalliques. Cela pourrait entraîner un court-circuit au niveau de la batterie et entraîner des blessures ou des brûlures.
- Tenez la batterie à distance des sources de chaleur excessive et des rayons directs du soleil. Ne la placez pas sur ou dans des appareils de chauffage, tels que des fours à micro-ondes, des cuisinières ou des radiateurs. Les batteries pourraient exploser en cas de surchauffe.
- N'essayez pas de modifier ou réusiner la batterie, d'y insérer des corps étrangers, de l'immerger ou de l'exposer à de l'eau ou à d'autres liquides. Cela pourrait entraîner des incendies, des explosions ou d'autres dangers.
- Si la batterie fuit, assurez-vous que l'électrolyte n'entre pas en contact direct avec la peau ou les yeux. En cas de contact cutané ou oculaire avec l'électrolyte, lavez immédiatement la peau ou les yeux à l'eau claire et consultez un médecin.
- En cas de déformation, de décoloration ou de surchauffe de la batterie pendant le chargement ou le stockage, cessez immédiatement d'utiliser l'appareil et retirez la batterie. La poursuite de l'utilisation pourrait provoquer une fuite de la batterie, un incendie ou une explosion.

- Ne jetez pas les batteries au feu, car elles pourraient exploser. Des batteries endommagées risquent également d'exploser.
- Mettez au rebut les batteries usagées conformément aux réglementations locales en vigueur. Une mauvaise utilisation de la batterie pourrait entraîner un incendie, une explosion ou d'autres dangers.
- Ne laissez pas les enfants ou les animaux de compagnie mordre ou sucer la batterie. Cela pourrait entraîner des dommages ou une explosion.
- N'écrasez pas et ne percez pas la batterie et ne l'exposez pas à une pression externe élevée. Cela pourrait entraîner un court-circuit ou une surchauffe.
- Ne laissez pas tomber l'appareil ou la batterie. Si l'appareil ou la batterie tombe, surtout sur une surface dure, celui-ci/celle-ci pourrait être endommagé(e).
- Si la durée de veille de l'appareil diminue de façon importante, remplacez la batterie.
- L'appareil dispose d'une batterie intégrée non amovible. N'essayez pas de retirer la batterie, car cela pourrait endommager l'appareil. Faites remplacer la batterie dans un centre de réparation agréé.

Nettoyage et entretien

- Maintenez l'appareil et ses accessoires au sec. N'essayez pas de les sécher à l'aide d'une source externe de chaleur, comme par exemple un four à micro-ondes ou un sèche-cheveux.

- N'exposez pas votre appareil ou ses accessoires à des températures extrêmement froides ou chaudes. Ces environnements risquent d'empêcher leur bon fonctionnement et d'entraîner un incendie ou une explosion.
- Évitez tout choc susceptible d'entraîner des dysfonctionnements ou une surchauffe de l'appareil ainsi qu'un incendie ou une explosion.
- Avant de nettoyer ou d'entretenir l'appareil, arrêtez de l'utiliser, désactivez toutes les applications et débranchez tous les câbles branchés sur l'appareil.
- N'utilisez pas de détergent chimique, de poudre ou autres agents chimiques (tels que de l'alcool ou du benzène) pour nettoyer l'appareil ou ses accessoires. Ces substances pourraient endommager les pièces ou représenter un risque d'incendie. Utilisez un chiffon propre, doux et sec pour nettoyer l'appareil et les accessoires.
- Ne placez pas de cartes à bande magnétique, telles que des cartes de crédit et des cartes de téléphone, à proximité de l'appareil pendant une longue durée. Cela pourrait endommager les cartes à bande magnétique.
- Ne démontez pas et ne réusinez pas l'appareil ou ses accessoires. Cela annulerait la garantie et libérerait le fabricant de toute responsabilité concernant des dommages. En cas de dommage, contactez un centre de réparation agréé pour toute aide ou réparation.

- Si l'écran de l'appareil se brise dans un choc, arrêtez immédiatement d'utiliser l'appareil. Ne touchez pas les morceaux cassés et n'essayez pas de les retirer. Contactez rapidement un centre de réparation agréé.

Appels d'urgence

La possibilité d'effectuer des appels d'urgence dépend de la qualité de votre réseau téléphonique, de la politique de votre fournisseur de services et des lois et réglementations locales en vigueur. Ne vous reposez jamais uniquement sur votre appareil pour effectuer des appels très importants, comme en cas d'urgence médicale.

Informations relatives à la mise au rebut et au recyclage



Ce symbole (avec ou sans barre) présent sur l'appareil, les batteries (le cas échéant) et/ou sur l'emballage, indique que l'appareil et ses accessoires électriques (p. ex. des écouteurs, un adaptateur ou un câble) ainsi que les

batteries ne doivent pas être mis au rebut avec les déchets ménagers. Ces éléments ne doivent pas être mis au rebut comme déchets municipaux non triés et doivent être rapportés dans un point de collecte agréé pour être recyclés ou mis au rebut de manière appropriée.

Pour de plus amples informations concernant le recyclage de l'appareil ou de la batterie, contactez votre mairie, votre service de mise au rebut des déchets ménagers ou votre détaillant.

La mise au rebut de l'appareil et des batteries (le cas échéant) est soumise à la directive sur les WEEE remaniée (directive 2012/19/UE) et à la directive sur les batteries (directive 2006/66/CE). La séparation des WEEE et des batteries des autres déchets vise à réduire l'impact potentiel sur l'environnement et la santé humaine des substances dangereuses qui peuvent être présentes.

Réduction des substances dangereuses

Cet appareil est conforme à la réglementation REACH [Règlementation (CE) n° 1907/2006] et à la directive RoHS remaniée (directive 2011/65/UE). Les batteries (le cas échéant) sont conformes à la directive sur les batteries (directive 2006/66/CE). Pour obtenir des informations récentes concernant la conformité REACH et RoHS, veuillez consulter le site Web <http://www.hihonor.com>.

Conformité réglementaire UE

Utilisation près du corps

L'appareil est conforme aux spécifications RF s'il est utilisé à l'oreille ou à une distance de 1,5 cm de votre corps. Assurez-vous que les accessoires de l'appareil, tels que le boîtier ou l'étui, ne sont pas composés d'éléments métalliques. Conservez l'appareil à distance de votre corps afin de respecter les exigences en matière de distance.

Informations de certification (DAS)

Cet appareil est conforme aux directives concernant l'exposition aux ondes radio.

Votre appareil est un émetteur/récepteur radio de faible puissance. Comme les directives internationales le

recommandent, l'appareil est conçu pour ne pas dépasser les limites d'exposition aux ondes radio. Ces directives, élaborées par la commission internationale de protection contre les radiations non ionisantes (ICNIRP), une organisation scientifique indépendante, comprennent des mesures de sécurité destinées à protéger tous les utilisateurs, Quel que soit leur âge et leur état de santé.

Le DAS (débit d'absorption spécifique) est l'unité de mesure de la quantité d'énergie radiofréquence absorbée par le corps humain lors de l'utilisation d'un appareil. La valeur DAS correspond au niveau maximal d'émissions agréé testé en laboratoire, mais le niveau DAS réel en cours de fonctionnement peut être bien inférieur. L'appareil est en effet conçu pour utiliser le minimum de puissance requise pour atteindre le réseau. La limite DAS adoptée par l'Europe est de 2,0 W/kg sur 10 grammes de tissu et la valeur DAS la plus élevée pour cet appareil est conforme à cette limite.

La valeur DAS la plus élevée signalée pour ce type d'appareil lorsque ceux-ci sont testés en utilisation à l'oreille est de 0,284 W/kg, et de 0,464 W/kg lorsque ceux-ci sont portés correctement en contact avec le corps.

Déclaration

Par la présente, Huawei Technologies Co., Ltd. déclare que cet appareil est conforme aux exigences fondamentales et aux autres dispositions pertinentes de la directive 1999/5/CE et de la directive 2011/65/EU.

Consultez la déclaration de conformité sur le site Web <http://www.hihonor.com>.

Le marquage suivant est présent sur le produit :

CE 0197 

Cet appareil peut être utilisé dans tous les pays membres de l'UE.

Respectez les réglementations locales et nationales en vigueur lors de l'utilisation de l'appareil.

L'utilisation de cet appareil peut être restreinte en fonction du réseau local.

Restrictions au niveau de la bande 2,4 GHz :

Norvège : Ce sous-chapitre ne s'applique pas à la zone géographique de 20 km de rayon autour du centre de Ny-Ålesund.

Restrictions au niveau de la bande 5 GHz :

Le fonctionnement WLAN de cet appareil est restreint à une utilisation en intérieur uniquement lors d'une utilisation dans une gamme de fréquence située entre 5150 et 5350 MHz.



A pleine puissance, l'écoute prolongée du baladeur peut endommager l'oreille de l'utilisateur

Tension caractéristique de bande large du casque/écouteur $\geq 75\text{mV}$.

Renseignements personnels et sécurité des données

L'utilisation de certaines fonctions ou applications tierces sur votre appareil pourrait entraîner la perte ou la mise à disposition de vos renseignements personnels à d'autres personnes. Plusieurs mesures sont recommandées pour vous aider à protéger vos renseignements personnels et confidentiels.

- Gardez votre appareil dans un endroit sûr pour empêcher toute utilisation non autorisée.
- Réglez l'écran de votre appareil sur verrouillage automatique et créez un mot de passe ou un motif de déverrouillage pour l'ouvrir.
- Sauvegardez régulièrement les renseignements personnels contenus sur votre carte USIM/SIM et carte mémoire, ou stockés dans la mémoire de votre appareil. Si vous changez d'appareil, assurez-vous de transférer ou de supprimer toutes les données personnelles contenues sur votre ancien appareil.
- Si vous êtes inquiet au sujet des virus lorsque vous recevez des messages ou des courriels d'un inconnu, supprimez-les sans les ouvrir.
- Si vous utilisez votre appareil pour naviguer sur Internet, évitez les sites Web qui pourraient poser un risque de sécurité, afin de prévenir tout risque d'appropriation de vos renseignements personnels.
- Si vous utilisez les services tels que le Wi-Fi ou Bluetooth, créez des mots de passe pour ces services

afin de prévenir tout accès non autorisé. Lorsque ces services ne sont pas en utilisation, désactivez-les.

- Installez, et maintenez à jour, un logiciel de sécurité et effectuez régulièrement des scans à la recherche de virus.
- Assurez-vous d'obtenir des applications tierces à partir de sources légitimes. Les applications tierces téléchargées doivent être scannées à la recherche des virus.
- Installez un logiciel de sécurité ou les correctifs publiés par Huawei ou les fournisseurs d'applications tierces.
- Certaines applications exigent et transmettent des informations de localisation. En conséquence, une partie tierce peut être en mesure de partager vos informations de localisation.
- Votre appareil peut fournir des informations de détection et de diagnostic aux fournisseurs d'applications tierces. Les fournisseurs tiers utilisent cette information pour améliorer leurs produits et services.

Mention légale


Copyright © Huawei Technologies Co., Ltd. 2015. Tous droits réservés.

Aucune partie de ce manuel ne peut être reproduite ou transmise dans toute forme ou par tout moyen que ce soit sans accord préalable par écrit de Huawei Technologies Co., Ltd. et de ses affiliés (« Huawei »).

Le produit décrit dans ce manuel peut inclure des logiciels sous licence de Huawei et d'éventuels concédants. Les clients ne peuvent en aucun cas reproduire, distribuer, modifier, décompiler, désassembler, décrypter, extraire, faire de l'ingénierie inversée, louer ou transférer ledit logiciel, ni en accorder des sous-licences d'utilisation, sauf si la législation en vigueur interdit ces restrictions ou si ces actions sont approuvées par les détenteurs des droits d'auteur concernés.

Marques de commerce et autorisations



honor, HUAWEI, HUAWEI et  sont des marques de commerce ou des marques déposées de Huawei Technologies Co., Ltd.

Android™ est une marque commerciale de Google Inc.

LTE est une marque de commerce de ETSI.

Le nom et les logos *Bluetooth*® sont des marques déposées *Bluetooth SIG, Inc.* et toute utilisation de ces marques par Huawei Technologies Co., Ltd. est effectuée sous licence.

Les autres marques de commerce, produits, services ou noms d'entreprise mentionnés appartiennent à leurs propriétaires respectifs.

Avis

Certaines caractéristiques du produit et certains accessoires décrits dans le présent manuel dépendent du logiciel installé, de ses capacités et des paramètres du réseau local. Par conséquent, ils peuvent ne pas être

activés ou être limités par les opérateurs de réseaux locaux ou par les prestataires de services réseau.

De ce fait, les descriptions de ce manuel peuvent ne pas correspondre exactement au produit ou aux accessoires achetés.

Huawei se réserve le droit de changer ou de modifier les informations ou spécifications de ce manuel sans préavis et sans obligation.

Déclaration concernant les logiciels tiers

Huawei ne détient aucun droit de propriété intellectuelle sur les logiciels ou applications tiers fournis avec ce produit. Par conséquent, Huawei n'accorde aucune garantie pour les logiciels et les applications tiers. En outre, Huawei ne délivre pas d'assistance aux clients qui utilisent des logiciels ou des applications tiers et n'est pas responsable de leur fonctionnement et de leur performance.

Ces services tiers peuvent être interrompus ou résiliés à tout moment et Huawei ne garantit pas la disponibilité des contenus ou services. Le contenu et les services sont fournis par des opérateurs tiers via le réseau ou des outils de transmission qui échappent au contrôle de Huawei. Sous réserve des dispositions de la législation en vigueur, il est explicitement indiqué que Huawei ne procède à aucune indemnisation au titre des services rendus par les fournisseurs de services tiers, de l'interruption ou de la résiliation du contenu ou des services tiers et n'en sera nullement responsable.

Huawei ne pourra être tenu responsable de la légalité, de la qualité ou de tout autre aspect des logiciels installés sur ce produit, du chargement ou du téléchargement de

contenus tiers, notamment les textes, images, vidéos ou logiciels. Les clients sont responsables des conséquences indésirables, dont l'incompatibilité entre le logiciel et le produit pouvant résulter de l'installation d'un logiciel ou d'un logiciel intégré tiers chargé ou téléchargé.

Ce produit a été développé pour la plate-forme libre Android™. Huawei a opéré les modifications nécessaires sur la plate-forme. Par conséquent, le produit ne prend pas en charge toutes les fonctions de la plate-forme Android standard et peut être incompatible avec le logiciel tiers. Huawei n'offre aucune garantie ou représentation en lien avec cette compatibilité et exclut explicitement toute implication en rapport avec ce sujet.

AVIS DE NON-RESPONSABILITÉ

LES INFORMATIONS DE CE MANUEL SONT FOURNIES « TELLES QUELLES ». SAUF EXIGENCES DES LOIS EN VIGUEUR, AUCUNE GARANTIE, EXPRESSE OU IMPLICITE, N'EST FAITE EN CE QUI CONCERNE LA PRÉCISION, LA FIABILITÉ OU LE CONTENU DU PRÉSENT MANUEL, Y COMPRIS LES GARANTIES IMPLICITES DE QUALITÉ MARCHANDE ET D'ADÉQUATION À UNE FIN PARTICULIÈRE.

DANS LES LIMITES PRÉVUES PAR LA LOI EN VIGUEUR, HUAWEI NE POURRA EN AUCUN CAS ÊTRE TENU RESPONSABLE DE DOMMAGES SPÉCIFIQUES, CONNEXES, INDIRECTS OU CONSÉCUTIFS, OU DE PERTES DE PROFIT, DE REVENU DE L'ENTREPRISE, DE DONNÉES, DE CLIENTÈLE OU D'ÉCONOMIES ; QUE CES ÉLÉMENTS SOIENT PRÉVISIBLES OU NON.

LA RESPONSABILITÉ MAXIMALE DE HUAWEI (CETTE LIMITATION NE S'APPLIQUE PAS À LA RESPONSABILITÉ

DES DOMMAGES CORPORELS DANS LA MESURE OÙ LA LOI EN VIGUEUR AUTORISE CETTE LIMITATION), RÉSULTANT DE L'UTILISATION DU PRODUIT DÉCRIT DANS LE PRÉSENT DOCUMENT EST LIMITÉE AU MONTANT PAYÉ PAR LES CLIENTS À L'ACHAT DU PRODUIT.

Réglementations relatives à l'importation/ exportation

Les clients doivent se conformer aux lois et aux réglementations en vigueur relatives à l'exportation et à l'importation et il leur incombe d'obtenir toutes les autorisations et licences administratives nécessaires pour l'exportation, la réexportation ou l'importation du produit mentionné dans ce manuel, y compris le logiciel et les données techniques.

Politique de confidentialité

Pour une meilleure compréhension de la protection des informations personnelles, référez-vous à la politique de confidentialité à l'adresse <http://www.hihonor.com>.

Déclaration de Conformité

selon la Directive des Équipements Radio et Équipements de
Terminaux de Télécommunications 1999/5/EC

Pour équipements suivants

Nom du produit : Smart Phone
Type : PE-TL10
Nom du Fabricant : Huawei Technologies Co., Ltd.
Adresse du Fabricant : Siège de Huawei, Bâtiment Administratif
Technologies Co., Ltd., Bantian, Longgang
District de Shenzhen, 518129 R.P.C

Est par la présente confirmé de se conformer aux exigences établies dans la Directive 1999/5/EC du Conseil pour les équipements radio et terminaux de télécommunications. Afin d'évaluer la conformité à la Directive présente, les standards suivants ont été appliqués :

Sécurité : EN 60950-1:2006/A11:2009/A1:2010/A12:2011;

Santé : EN 50566:2013; EN 62479:2010; EN 62209-1 :2006 ;EN 62209-2:2010;
EN 62311:2008;EN 50360:2001/A1:2012;

EMC : EN 301 489-1 V1.9.2; EN 301 489-3 V1.6.1; EN 301 489-7 V1.3.1;
EN 301 489-17 V2.2.1;EN 301 489-24 V1.5.1

Radio : EN 301 511 V9.0.2;EN 300 440-1 V1.6.1;EN 300 440-2 V1.4.1;
EN 301 908-1 V6.2.1; EN 301 908-2 V6.2.1; EN 301 908-13 V6.2.1;
EN 300 328 V1.8.1; EN 301 893 V1.7.1

Le produit est marqué du sigle CE et le numéro de l'Organisme Notifié selon la Directive 1999/5/EC :

Organisme Notifié : TÜV Rheinland LGA Products GmbH

Numéro de l'Organisme Notifié : 0197

Responsable de faire la présente déclaration :

Fabricant Représentant autorisé établi dans l'UE

Personne responsable de faire la présente déclaration

Nom, Nom de famille : KangYing

Poste / Titre : Responsable de la Réglementation de Conformité

Shenzhen 2015-03-11
(Lieu) (Date)

KangYing (Cachet de Compagnie et Signature légale)

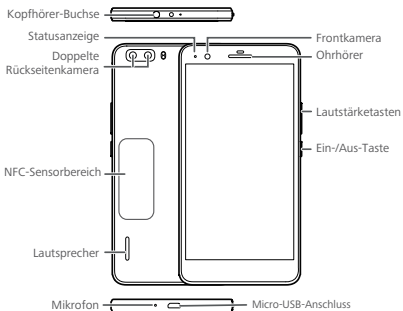


Ihr Telefon auf einen Blick

Werfen wir einen Blick auf Ihr neues Telefon, bevor Sie beginnen.

Halten Sie die Ein-/Aus-Taste gedrückt, um Ihr Telefon ein- oder auszuschalten.

- i** Um einen Neustart des Telefons zu erzwingen, halten Sie die Ein-/Aus-Taste gedrückt, bis das Telefon vibriert.

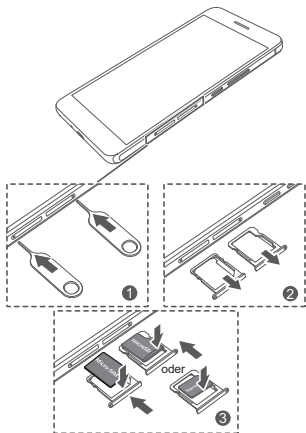


Erste Schritte

Folgen Sie den Anweisungen in den folgenden Abbildungen, um Ihr Telefon einzurichten. Solange Ihr Telefon eingeschaltet ist, dürfen Sie die SIM-Karte weder einsetzen noch entfernen.


⊘ Bitte seien Sie bei der Verwendung des SIM-Auswurfstifts vorsichtig, damit Sie Ihre Finger nicht verletzen und Ihr Telefon nicht beschädigen. Bewahren Sie Ihren Stift an einem sicheren Ort außerhalb der Reichweite von Kindern auf, damit er nicht versehentlich verschluckt wird oder sich Kinder daran verletzen.

⚠ Setzen Sie die SIM-Karte in den richtigen Kartensteckplatz ein, da sie andernfalls möglicherweise nicht vom Telefon erkannt wird.




Weitere Informationen

Sie haben Probleme bei der Verwendung Ihres Telefons?

Berühren Sie  auf Ihrem Telefon, um **HiCare** zu öffnen.

Hätten Sie gerne ein Benutzerhandbuch?

Laden Sie das Honor 6 Plus Benutzerhandbuch von <http://www.hihonor.com> herunter.

-  Die Fotos und Abbildungen in diesem Handbuch, einschließlich, jedoch nicht beschränkt auf Telefonfarbe, Größe und angezeigte Inhalte, sind lediglich zu Ihrer Information. Das tatsächliche Produkt kann davon abweichen. Keiner der Inhalte in diesem Handbuch stellt irgend eine Form der Gewährleistung dar, weder ausdrücklich noch stillschweigend.

Sicherheitsinformationen

Dieser Abschnitt enthält wichtige Informationen zum Betrieb Ihres Geräts. Des Weiteren finden Sie Hinweise zum sicheren Umgang mit dem Gerät. Lesen Sie diese Hinweise vor dem Gebrauch Ihres Geräts aufmerksam durch.

Elektronisches Gerät

Benutzen Sie das Gerät nur dort, wo es erlaubt ist!
Verwenden Sie das Gerät nicht, wenn es elektronische Geräte beeinflussen oder Gefahr verursachen könnte.

Störungen von Medizingeräten

- Bitte konsultieren Sie Ihren Arzt und den Gerätehersteller, um herauszufinden, ob Ihr Telefon den Betrieb Ihres medizinischen Geräts stören kann.
- Halten Sie sich an die von Krankenhäusern und Gesundheitseinrichtungen festgelegten Regeln und Bestimmungen! Verwenden Sie das Gerät nicht beim Bedienen eines Fahrzeugs.
- Einige drahtlose Geräte könnten die Funktion von Hörgeräten oder Herzschrittmachern beeinträchtigen. Kontaktieren Sie den Hersteller des medizinischen Geräts für weitere Informationen.
- Hersteller von Herzschrittmachern empfehlen, einen Mindestabstand von 15 cm zwischen dem Gerät und einem Herzschrittmacher einzuhalten, um potenzielle Störungen des Herzschrittmachers zu verhindern. Falls Sie einen Herzschrittmacher tragen, verwenden Sie das Gerät auf der entgegengesetzten Seite des Herzschrittmachers und tragen Sie es nicht in der Brusttasche.

Schutz Ihres Gehörs bei Verwendung eines Headsets



- Zum Schutz vor möglichen Hörschäden vermeiden Sie es, über längere Zeiträume einer Audiowiedergabe in hoher Lautstärke zuzuhören.
- Durch die Verwendung von laut gestellten Headsets können Hörschäden verursacht werden. Senken Sie

zur Verringerung dieses Risikos die Lautstärke auf ein sicheres und komfortables Maß ab.

- Eine hohe Lautstärke kann während der Fahrt ablenkend wirken und die Unfallgefahr erhöhen.

Explosionsfähige Atmosphäre

Schalten Sie Ihr Gerät in Umgebungen mit explosionsfähiger Atmosphäre ab und halten Sie sich an alle Hinweisschilder und Anweisungen. Bereiche mit einer explosionsgefährdeten Atmosphäre sind zum Beispiel Bereiche, in denen Sie normalerweise den Motor Ihres Autos abschalten müssen. Das Auslösen eines Funkens könnte in solchen Bereichen eine Explosion oder einen Brand verursachen, was zu Körperverletzung oder gar zum Tod führen könnte. Schalten Sie Ihr Gerät nicht an Treibstoff- und Wartungstützpunkten, wie Tankstellen ein. Halten Sie sich an die Beschränkungen bezüglich des Gebrauchs von Funkgeräten in Tanklagern, Depots, Vertriebsanlagen und Chemiewerken. Beachten Sie außerdem die Beschränkungen in Bereichen, in denen Sprengarbeiten durchgeführt werden. Bevor Sie das Gerät verwenden, achten Sie darauf, dass Sie sich nicht in Bereichen mit explosionsfähiger Atmosphäre befinden, da diese zwar oft, aber nicht immer klar gekennzeichnet sind. Solche Bereiche sind zum Beispiel unter Deck auf Schiffen zu finden, in Einrichtungen für chemische Transporte und Lagerung sowie an Orten, die Chemikalien oder Partikel wie Fasern, Staub oder Metallpulver enthalten. Fragen Sie die Hersteller von Fahrzeugen, die Autogas (wie zum Beispiel Propan oder Butan) verwenden, ob dieses Gerät in deren Nähe sicher verwendet werden kann.

Verkehrssicherheit

- Beachten Sie beim Gebrauch des Geräts die örtlichen Gesetze und Vorschriften! Zur Verringerung von Unfällen sollten Sie Ihr Gerät nicht während der Fahrt benutzen.
- Konzentrieren Sie sich auf das Fahren! Ihre vorrangige Pflicht ist es, sicher zu fahren.
- Telefonieren Sie nicht während der Fahrt. Verwenden Sie Freisprech-Zubehör.
- Wenn Sie einen Anruf tätigen oder entgegennehmen müssen, fahren Sie rechts ran und stellen Sie das Fahrzeug zunächst ordnungsgemäß ab.
- Die elektronischen Systeme von Kraftfahrzeugen können durch Funksignale gestört werden. Weitere Informationen hierzu erhalten Sie vom Fahrzeughersteller.
- Legen Sie das Gerät im Fahrzeug nicht auf Airbags bzw. in deren Auslösungsbereichen ab. Andernfalls können Sie sich durch die starke Kraft, mit der die Airbags auslösen, verletzen.
- Benutzen Sie das Gerät nicht an Bord oder unmittelbar vor dem Boarding von Luftfahrzeugen. Die Verwendung von Geräten in einem Luftfahrzeug kann zu einer Störung der drahtlosen Netze führen und somit den Betrieb des Luftfahrzeugs gefährden, oder sie kann gegen das Gesetz verstoßen.

Nutzungsumfeld

- Vermeiden Sie staubige, feuchte oder schmutzige Umgebungen. Meiden Sie Magnetfelder. Die

Verwendung des Geräts in diesen Umgebungen kann zu Schaltkreisdefekten führen.

- Verwenden Sie Ihr Gerät nicht im Freien bei Gewitter um sich vor jeglichen Gefahren welche von Blitzen ausgehen zu schützen.
- Die optimale Betriebstemperatur ist 0 °C bis 35 °C. Die optimale Lagerungstemperatur ist -20 °C bis 70 °C. Extreme Hitze oder Kälte kann Ihr Gerät oder das Zubehör beschädigen.
- Setzen Sie Ihr Gerät nicht über längere Zeiträume der direkten Sonneneinstrahlung aus (wie beispielsweise auf der Instrumententafel eines Autos).
- Vermeiden Sie Regen und Feuchtigkeit, um Ihr Gerät oder das Zubehör vor einem Brand oder vor der potenziellen Abgabe elektrischer Schläge zu schützen.
- Halten Sie das Gerät fern von Hitzequellen und offenen Flammen, wie z. B. einem Heizgerät, einer Mikrowelle, einem Herd, einem Wasserkocher, einer Heizung oder einer Kerze.
- Bewahren Sie keine spitzen Metallgegenstände (z. B. Nadeln) in der Nähe des Hörers oder des Lautsprechers auf. Der Hörer kann diese Objekte anziehen, was zu Verletzungen führen kann.
- Stellen Sie den Betrieb Ihres Geräts oder der Anwendungen für einen gewissen Zeitraum ein, wenn das Gerät überhitzt ist. Wenn das überhitzte Gerät über einen längeren Zeitraum in Kontakt mit der Haut kommt, können Verbrennungssymptome

ähnlich zu Erfrierungen – beispielsweise rote Flecken und eine dunklere Pigmentierung – auftreten.

- Richten Sie den Kamerablitz des Geräts nicht direkt auf die Augen von Menschen oder Tieren. Ansonsten kann es zu einem vorübergehenden Beeinträchtigungen des Sehvermögens oder zu Augenschäden kommen.
- Berühren Sie die Antenne des Geräts nicht. Ansonsten kann dies zu einer verminderten Empfangsqualität führen.
- Lassen Sie Kinder und Haustiere nicht mit dem Akku spielen oder auf dem Akku kauen oder daran nuckeln/saugen. Andernfalls kann es zu Schäden oder einer Explosion kommen.
- Beachten Sie die lokalen Gesetze und Bestimmungen und achten Sie die Privatsphäre und die gesetzlichen Rechte anderer.

Kindersicherheit

- Beachten Sie alle Vorsichtsmaßnahmen in Bezug auf die Kindersicherheit. Kinder mit dem Gerät oder dessen Zubehör spielen zu lassen, kann gefährlich sein. Zum Gerät gehören abnehmbare Teile, die eine Erstickungsgefahr darstellen können. Halten Sie es von Kindern fern.
- Das Gerät und sein Zubehör sind nicht für die Verwendung durch Kinder vorgesehen. Kinder sollten das Gerät nur unter Aufsicht von Erwachsenen verwenden.

Zubehör

- Durch die Verwendung eines unzulässigen oder inkompatiblen Netzadapters, Ladegeräts oder Akkus kann es zu einem Feuer ausbruch, einer Explosion oder zu anderen Gefahren kommen.
- Verwenden Sie nur Zubehör, das vom Gerätehersteller für dieses Modell zugelassen ist. Die Verwendung von anderem Zubehör kann dazu führen, dass die Garantie erlischt, sie kann gegen lokale Vorschriften und Gesetze verstoßen und sie kann gefährlich sein. Informationen zur Verfügbarkeit des zugelassenen Zubehörs in Ihrer Region erhalten Sie bei Ihrem Fachhändler.

Sicherheit des Ladegeräts

- Für Geräte mit Stecker sollte sich die Steckdose in unmittelbarer Nähe der Geräte befinden und leicht zugänglich sein.
- Trennen Sie das Ladegerät von der Steckdose und vom Gerät, wenn Sie es nicht verwenden.
- Lassen Sie das Ladegerät nicht fallen und setzen Sie es keinen Stößen aus.
- Verwenden Sie das Kabel auf keinen Fall weiter, wenn es beschädigt (zum Beispiel bei freiliegenden oder gerissenen Adern) oder der Stecker locker ist. Bei einer fortgesetzten Nutzung kann es zu elektrischen Schlägen, Kurzschlüssen und Bränden kommen.

- Berühren Sie das Netzkabel nicht mit feuchten Händen und ziehen Sie nicht am Netzkabel, um das Ladegerät von der Steckdose abzuziehen.
- Berühren Sie das Gerät oder das Ladegerät nicht mit feuchten Händen. Andernfalls kann es zu Kurzschlüssen, Störungen oder elektrischen Schlägen kommen.
- Wenn Ihr Ladegerät mit Wasser, anderen Flüssigkeiten oder übermäßiger Feuchtigkeit in Berührung gekommen ist, bringen Sie es zur Inspektion zu einem autorisierten Service-Center.
- Stellen Sie sicher, dass das Ladegerät die Anforderungen der Klausel 2.5 IEC60950-1/ EN60950-1/UL60950-1 erfüllt und dass es gemäß nationalen oder lokalen Normen getestet und zugelassen ist.
- Schließen Sie das Gerät nur an Produkten mit dem USB-IF-Logo an oder an Produkten, die das USB-IF-Compliance-Programm durchlaufen haben.

Akkusicherheit

- Halten Sie die Akkupole von leitenden Gegenständen fern, wie Schlüssel, Schmuck oder anderen Materialien. Ansonsten wird möglicherweise der Akku kurzgeschlossen, was zu Verletzungen und Verbrennungen führen kann.
- Halten Sie den Akku fern von übermäßiger Hitze und direkter Sonneneinstrahlung. Legen Sie ihn nicht auf oder in Heizgeräte, wie Mikrowellen, Öfen oder

Heizkörper. Akkus können bei Überhitzung explodieren.

- Versuchen Sie nicht, den Akku zu ändern oder zu überarbeiten, Fremdkörper in den Akku einzuführen oder ihn in Wasser oder andere Flüssigkeiten einzutauchen bzw. mit diesen in Kontakt zu bringen. Andernfalls kann es zu einem Brand, einer Explosion oder anderen gefährlichen Situationen kommen.
- Stellen Sie bei einem Austreten von Batteriesäure sicher, dass diese nicht auf die Haut oder in die Augen gerät. Sollte dies dennoch der Fall sein, spülen Sie diese unverzüglich mit klarem Wasser ab bzw. aus und suchen Sie einen Arzt auf.
- Bei einer Verformung, einer Farbänderung oder einer Überhitzung von Akkus während des Ladevorgangs oder der Aufbewahrung stellen Sie die Verwendung des Geräts sofort ein und entnehmen Sie den Akku. Wenn Sie das Gerät weiterhin verwenden, kann Batteriesäure austreten oder es kann zu einem Brand oder einer Explosion kommen.
- Werfen Sie Akkus nicht ins Feuer, da sie explodieren können. Beschädigte Akkus können ebenfalls explodieren.
- Entsorgen Sie gebrauchte Akkus in Übereinstimmung mit den lokalen Vorschriften. Eine unsachgemäße Nutzung des Akkus kann zu einem Brand, einer Explosion oder anderen gefährlichen Situationen führen.

- Lassen Sie Kinder und Haustiere nicht auf dem Akku kauen oder daran nuckeln bzw. saugen. Andernfalls kann es zu Schäden oder einer Explosion kommen.
- Zerschlagen oder durchstechen Sie den Akku nicht und setzen Sie ihn keinen hohen externen Drücken aus. Ansonsten kann es zu einem Kurzschluss oder Überhitzen kommen.
- Lassen Sie das Gerät bzw. den Akku nicht fallen. Wenn das Gerät oder der Akku fallen gelassen wird, insbesondere auf eine harte Oberfläche, kann es bzw. er beschädigt werden.
- Wenn sich die Standbyzeit des Geräts deutlich verkürzt, tauschen Sie den Akku aus.
- Das Gerät verfügt über einen integrierten, nicht herausnehmbaren Akku. Versuchen Sie nicht, den Akku zu entnehmen, da das Gerät ansonsten beschädigt werden kann. Zum Austauschen des Akkus bringen Sie das Gerät zu einem autorisierten Service-Center.

Reinigung und Wartung

- Halten Sie das Gerät und das Zubehör trocken. Versuchen Sie nicht, es mit einer externen Wärmequelle, wie einer Mikrowelle oder einem Fön, zu trocknen.
- Setzen Sie das Gerät oder das Zubehör nicht extremer Hitze oder Kälte aus. Diese Umgebungen können die ordnungsgemäße Funktion stören und zu einem Brand oder einer Explosion führen.

- Vermeiden Sie Stöße, die zu Fehlfunktionen des Geräts, Überhitzung, einem Brand oder einer Explosion führen können.
- Bevor Sie das Gerät reinigen oder warten, stellen Sie den Betrieb des Geräts ein. Beenden Sie alle Anwendungen und ziehen Sie alle mit dem Gerät verbundenen Kabel ab.
- Verwenden Sie keine chemischen Waschmittel, Pulver oder andere Chemikalien (wie z. B. Alkohol oder Benzol) zur Reinigung des Geräts oder des Zubehörs. Diese Substanzen können Geräteteile beschädigen oder einen Brand verursachen. Verwenden Sie ein sauberes, weiches und trockenes Tuch, um das Gerät und das Zubehör zu reinigen.
- Bringen Sie keine Magnetstreifenkarten, wie Kreditkarten und Telefonkarten, über einen längeren Zeitraum hinweg in die Nähe des Geräts. Sonst kann die Magnetstreifenkarte beschädigt werden.
- Zerlegen oder überarbeiten Sie das Gerät und sein Zubehör nicht. Dadurch erlischt die Garantie und der Hersteller ist bei Schäden nicht mehr haftbar. Bei einem Schaden wenden Sie sich für Hilfe oder eine Reparatur an ein autorisiertes Service-Center.
- Wenn das Display des Geräts bei einem Stoß zerbricht, stellen Sie den Betrieb des Geräts sofort ein. Berühren Sie die zerbrochenen Teile nicht und versuchen Sie nicht, diese zu entfernen. Wenden Sie sich unverzüglich an ein autorisiertes Service-Center.

Notrufe

Die Verfügbarkeit von Notrufen ist abhängig von der Qualität Ihres Mobilfunknetzes, der Richtlinie des Serviceanbieters sowie den lokalen Gesetzen und Vorschriften. Verlassen Sie sich bei kritischen Kommunikationen, wie medizinischen Notfällen, nie einzig und allein auf Ihr Gerät.

Informationen zur Entsorgung und Wiederverwertung



Dieses Symbol (mit oder ohne massivem Balken) am Gerät, an den Akkus (sofern enthalten) und/oder an der Verpackung zeigt an, dass das Gerät und sein elektrisches Zubehör (beispielsweise ein

Headset, ein Adapter oder ein Kabel) und die Akkus nicht über den regulären Hausmüll zu entsorgen sind. Diese Elemente sollten nicht über den unsortierten Haushaltsmüll entsorgt werden, sondern stattdessen einer zertifizierten Sammelstelle zur Wiederverwertung oder zur ordnungsgemäßen Entsorgung zugeführt werden.

Detailliertere Informationen zur Wiederverwertung des Geräts oder des Akkus erhalten Sie bei der lokalen Stadtverwaltung, bei der Müllabfuhr oder im Fachgeschäft.

Die Entsorgung des Geräts und der Akkus (sofern enthalten) unterliegt der Neufassung der Richtlinie über die Entsorgung elektrischer und elektronischer Geräte (Richtlinie 2012/19/EU) sowie der Akkurichtlinie (Richtlinie 2006/66/EG). Elektronikschrott und Batterien sind vom Restmüll zu trennen, um potenzielle

Umwelteinflüsse und Gefahren für die menschliche Gesundheit durch möglicherweise vorhandene Gefahrstoffe zu minimieren.

Reduzierung von Gefahrstoffen

Dieses Gerät erfüllt die REACH-Verordnung [Verordnung (EG) Nr. 1907/2006] sowie die Neufassung der RoHS-Richtlinie (Richtlinie 2011/65/EU). Batterien und Akkus (sofern im Lieferumfang enthalten) erfüllen die Batterie-/Akkurichtlinie (Richtlinie 2006/66/EG). Aktuelle Informationen zur Einhaltung der REACH-Verordnung und der RoHS-Richtlinie finden Sie auf der Webseite <http://www.hihonor.com>.

Einhaltung der EU-Bestimmungen

Benutzung am Körper

Das Gerät entspricht den RF-Anforderungen, wenn es in der Nähe Ihres Ohres oder in einem Abstand von 1,5 cm von Ihrem Körper verwendet wird. Achten Sie darauf, keine Zubehörteile wie Euis und Tragetaschen aus Metall zu verwenden. Halten Sie das Gerät von Ihrem Körper fern, um den geforderten Abstand einzuhalten.

Informationen zur Zertifizierung (SAR)

Dieses Gerät erfüllt die Richtlinien bezüglich der Belastung durch Funkwellen.

Ihr Gerät ist ein Funksender und -empfänger mit geringem Leistungsverbrauch. Es wurde so entwickelt, dass die in den internationalen Richtlinien empfohlenen Grenzwerte für die Belastung durch Funkwellen nicht überschritten werden. Diese Richtlinien wurden von der Internationalen Strahlenschutzkommission für nichtionisierende Strahlung (ICNIRP) erstellt und

beinhalten Sicherheitsmaßnahmen, die die Sicherheit aller Nutzer, unabhängig von Alter und Gesundheitszustand, gewährleisten sollen.

Die spezifische Absorptionsrate (SAR) ist die Maßeinheit für die Menge der während der Verwendung des Geräts vom Körper absorbierten Hochfrequenzenergie. Der SAR-Wert wird auf der höchstmöglichen Einstellung unter Laborbedingungen ermittelt. Die tatsächliche SAR-Absorptionsrate während des Betriebs kann weit unter diesem Wert liegen. Dies liegt daran, dass das Gerät für die geringstmögliche Leistungsaufnahme, die für die Erreichung des Netzwerks erforderlich ist, konzipiert ist. Der in Europa festgelegte SAR-Höchstwert liegt bei 2,0 W/kg, gemittelt über 10 Gramm Körpergewebe. Der höchste SAR-Wert für dieses Gerät erfüllt diesen Grenzwert.

Der höchste SAR-Wert für diesen Gerätetyp bei einem Test unter Verwendung am Ohr liegt bei 0,284 W/kg und bei 0,464 W/kg, wenn das Gerät ordnungsgemäß am Körper getragen wird.

Erklärung

Huawei Technologies Co., Ltd. erklärt hiermit, dass dieses Geräts den wesentlichen Anforderungen und anderen relevanten Bestimmungen der Richtlinie 1999/5/EG und der Richtlinie 2011/65/EU entspricht.

Die Konformitätserklärung finden Sie unter <http://www.hihonor.com>.

Dieses Produkt umfasst die folgende Kennzeichnung:

CE 0197 

Dieses Gerät darf in allen Mitgliedstaaten der EU betrieben werden.

Beachten Sie bei der Nutzung des Geräts die nationalen und die lokalen Vorschriften.

Die Nutzung dieses Geräts ist möglicherweise je nach Ihrem lokalen Mobilfunknetz beschränkt.

Beschränkungen des 2,4-GHz-Frequenzbandes:

Norwegen: Dieser Unterabschnitt gilt nicht für das Gebiet in einem 20-km-Radius von der Mitte von Ny-Ålesund.

Beschränkungen des 5-GHz-Frequenzbandes:

Die WLAN-Funktion dieses Geräts ist nur auf die Nutzung in Innenräumen und im Frequenzbereich von 5150 bis 5350 MHz beschränkt.

Persönliche Daten und Datensicherheit

Bei Verwendung einiger Funktionen oder Drittanwendungen können Ihre persönlichen Informationen und Daten verloren gehen oder Dritten zugänglich werden. Wir empfehlen verschiedene Maßnahmen zum Schutz Ihrer persönlichen und vertraulichen Daten.

- Bewahren Sie Ihr Gerät an einem sicheren Ort auf, damit es von Unbefugten nicht benutzt werden kann.

- Sperren Sie den Bildschirm Ihres Geräts und richten Sie ein Passwort oder Freischaltmuster ein, um ihn wieder aktivieren zu können.
- Sichern Sie die persönlichen Daten auf Ihrer SIM-/USIM-Karte, Speicherkarte oder im Speicher Ihres Geräts regelmäßig. Wenn Sie Ihr Gerät wechseln, verschieben oder löschen Sie alle persönlichen Daten von Ihrem alten Gerät.
- Wenn Sie befürchten, dass sich in Nachrichten oder E-Mails von Unbekannten Viren befinden, löschen Sie die Nachrichten, ohne sie zu öffnen.
- Wenn Sie mit Ihrem Gerät im Internet surfen, vermeiden Sie Websites, die ein Sicherheitsrisiko bergen könnten, um einen Diebstahl Ihrer persönlichen Daten zu verhindern.
- Wenn Sie Dienste wie WLAN oder Bluetooth zur Anbindung verwenden, legen Sie für diese Geräte Passwörter fest, um unberechtigte Zugriffe zu verhindern. Wenn diese Dienste nicht benötigt werden, schalten Sie sie aus.
- Installieren oder aktualisieren Sie die Sicherheitssoftware des Geräts regelmäßig und führen Sie Virencans durch.
- Beschaffen Sie Fremdanwendungen nur von legitimen Quellen. Überprüfen Sie heruntergeladene Fremdanwendungen auf Viren.
- Installieren Sie von Huawei oder externen Service-Anbietern herausgegebene Sicherheitsprogramme oder Patches.

- Einige Anwendungen benötigen und senden Standortdaten. Dadurch können eventuell Dritte in der Lage sein, Ihre Standortdaten zu veröffentlichen.
- Ihr Gerät verfügt eventuell über eine Erkennung und Diagnosedaten für die Anbieter von Drittanwendungen. Drittanbieter nutzen diese Daten, um ihre Produkte und Dienste zu verbessern.
- Die Verwendung nicht autorisierter Drittanbieter-Software zur Aktualisierung Ihres Telefons kann zur Beschädigung des Telefons oder Ihrer persönlichen Daten führen. Es wird empfohlen, dass Sie Ihr Handy online aktualisieren oder die offiziellen, mit Ihrem Telefon kompatiblen Aktualisierungspakete verwenden.
- Alle persönlichen Daten werden bei einer Systemaktualisierung gelöscht. Es wird empfohlen, vor der Aktualisierung Ihres Telefons wichtige Daten zu sichern.

Rechtliche Hinweise

Copyright © Huawei Technologies Co., Ltd. 2015. Alle Rechte vorbehalten.


Weitergabe oder Vervielfältigung dieser Bedienungsanleitung oder von Teilen daraus sind, zu welchem Zweck und in welcher Form auch immer, ohne die ausdrückliche schriftliche Genehmigung von Huawei Technologies Co., Ltd. („Huawei“) nicht gestattet.

Das in dieser Anleitung beschriebene Produkt kann urheberrechtlich geschützte Software der Huawei und/oder anderer Lizenzgeber enthalten. Die Kunden sind

nicht berechtigt, die Software auf irgendeine Weise zu vervielfältigen, zu verbreiten, zu ändern, zu dekompilein, zu disassemblieren, zu entschlüsseln, zu extrahieren, zurückzuentwickeln, zu vermieten, abzutreten oder eine Unterlizenz dafür zu gewähren, sofern diese Beschränkungen nicht nach geltendem Recht untersagt sind oder der jeweilige Urheberrechtsinhaber diesen Tätigkeiten zugestimmt hat.

Marken und Genehmigungen



HONOR, HUAWEI, HUAWEI und  sind Marken oder eingetragene Marken von Huawei Technologies Co., Ltd.

Android™ ist eine Marke von Google Inc.

LTE ist eine Marke von ETSI.

Die Wortmarke *Bluetooth*® und die Logos sind eingetragene Marken von *Bluetooth SIG, Inc.* und Huawei Technologies Co., Ltd. verwendet sie unter Lizenz.

Weitere aufgeführte Marken, Produkt-, Dienstleistungs- und Firmennamen sind Eigentum der jeweiligen Inhaber.

Hinweis

Einige der hier beschriebenen Merkmale des Produkts und seiner Zubehörteile sind von der installierten Software sowie den Kapazitäten und Einstellungen des lokalen Netzes abhängig und können daher von den lokalen Netzbetreibern bzw. Netzanbietern deaktiviert oder eingeschränkt werden.

Daher ist es möglich, dass die Beschreibungen in diesem Dokument nicht genau mit denen für das von Ihnen erworbene Produkt oder das Zubehör geltenden Beschreibungen übereinstimmen.

Huawei behält sich das Recht vor, alle Informationen oder Spezifikationen in dieser Anleitung ohne vorherige Ankündigung und ohne Gewähr zu ändern.

Hinweis zu Software von Drittherstellern

Huawei ist nicht Eigentümer des Urheberrechts an Software und Anwendungen von Drittherstellern, die im Lieferumfang dieses Produkts enthalten sind. Deshalb übernimmt Huawei keinerlei Garantie für diese Software und Anwendungen von Drittherstellern. Huawei bietet keinen Support für Kunden, die diese Software und Anwendungen von Drittherstellern nutzen, und übernimmt auch keinerlei Verantwortung oder Haftung für die Funktionen dieser Software und Anwendungen von Drittherstellern.

Die über Software und Anwendungen von Drittherstellern bereitgestellten Dienste können jederzeit unterbrochen oder beendet werden und Huawei garantiert nicht die Verfügbarkeit von Inhalten oder Diensten. Die von Drittanbietern über das Netz oder über Übertragungsmittel zur Verfügung gestellten Inhalte und Leistungen liegen außerhalb der Kontrolle von Huawei. Es wird hiermit ausdrücklich darauf verwiesen, dass Huawei soweit gesetzlich zulässig keine Entschädigung oder Haftung für von Drittanbietern angebotene Dienste bzw. die Unterbrechung oder Beendigung von Inhalten oder Diensten von Drittanbietern übernimmt.

Huawei haftet nicht für Gesetzlichkeit, Qualität oder andere Aspekte von auf diesem Produkt installierter Software oder für in irgendeiner Form hoch- oder heruntergeladene Drittherstellerwerke, wie etwa Texte, Bilder, Videos oder Software usw. Kunden tragen das Risiko für jegliche Auswirkungen, etwa der mangelnden Kompatibilität zwischen der Software und diesem Produkt, die sich aus der Installation von Software oder dem Hoch- oder Herunterladen von Drittherstellerwerken ergeben.

Diese Produkt basiert auf der quelloffenen Android™-Plattform. Huawei hat erforderliche Änderungen an dieser Plattform vorgenommen. Deshalb unterstützt dieses Produkt möglicherweise nicht alle Funktionen, die vom standardmäßigen Android-Betriebssystem unterstützt werden, oder ist mit Software von Drittanbietern möglicherweise inkompatibel. Huawei bietet keine Gewährleistung oder Zusicherung in Bezug auf die Kompatibilität und schließt ausdrücklich jegliche Haftung in diesem Zusammenhang aus.

HAFTUNGSAUSSCHLUSS

FÜR DEN INHALT DIESES DOKUMENTS WIRD KEINE GEWÄHR ÜBERNOMMEN. SOFERN DIES NICHT VON GELTENDEN GESETZEN VORGESCHRIEBEN IST, WIRD KEINE GARANTIE, WEDER AUSDRÜCKLICH NOCH IMPLIZIERT, FÜR DIE RICHTIGKEIT, DIE ZUVERLÄSSIGKEIT ODER DEN INHALT DIESES HANDBUCHS GEGEBEN. DIES BEZIEHT SICH, EINSCHLIESSLICH ABER NICHT AUSSCHLIESSLICH, AUF IMPLIZITE GARANTIE FÜR DIE GEBRAUCHSTAUGLICHKEIT UND EIGNUNG FÜR EINEN SPEZIELLEN ZWECK.

HUAWEI HAFTET SOWEIT GESETZLICH ZULÄSSIG NICHT FÜR SPEZIELLE, BEILÄUFIG ENTSTANDENE, INDIREKTE ODER FOLGESCHÄDEN, ENTGANGENE GEWINNE, GESCHÄFTE, EINNAHMEN, DATEN, GOODWILL ODER ANTIZIPIERTE EINSPARUNGEN.

DIE MAXIMALE HAFTUNG VON HUAWEI, DIE SICH AUS DER VERWENDUNG DES IN DIESEM DOKUMENT BESCHRIEBENEN PRODUKTS ERGIBT, IST AUF DEN BETRAG BEGRENZT, DEN DER KUNDE FÜR DEN ERWERB DIESES PRODUKTS GEZAHLT HAT. FÜR DIE HAFTUNG BEI KÖRPERVERLETZUNGEN GILT DIESE EINSCHRÄNKUNG NUR SOWEIT GESETZLICH ZULÄSSIG.

Import- und Exportbestimmungen

Die Kunden müssen alle geltenden Aus- und Einfuhrgesetze und -vorschriften einhalten und sind für die Einholung der erforderlichen behördlichen Genehmigungen und Lizenzen für Ausfuhr, Wiederausfuhr oder Einfuhr des in dieser Anleitung genannten Produkts verantwortlich, einschließlich der darin enthaltenen Software und technischen Daten.

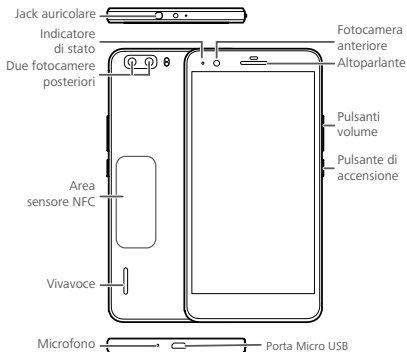
Datenschutzrichtlinie

Damit Sie besser verstehen, wie wir Ihre persönlichen Daten schützen, lesen Sie bitte die Datenschutzrichtlinie unter <http://www.hihonor.com>.

Panoramica del telefono

Prima di iniziare, ecco un'introduzione al nuovo telefono. Tenere premuto il pulsante di accensione per attivare o disattivare il dispositivo.

- i** Tenere premuto il pulsante di accensione fino ad avvertire la vibrazione per il riavvio forzato del telefono.

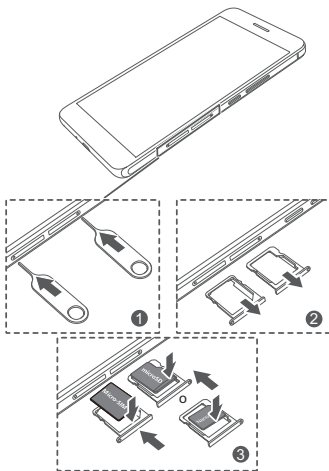


Operazioni preliminari

Per completare l'installazione, seguire le istruzioni nelle seguenti figure. Non installare o rimuovere la scheda SIM quando il telefono è acceso.

⊘ Per evitare eventuali lesioni alle dita o danni al dispositivo si consiglia di utilizzare con cautela la graffetta di rimozione della SIM. Custodire la graffetta in posti sicuri e fuori dalla portata dei bambini. Date le dimensioni, l'oggetto potrebbe essere inghiottito o provocare lesioni accidentali.

⚠ Inserire la scheda SIM nell'alloggiamento corretto per assicurarsi che venga riconosciuta dal telefono.




Per ulteriori informazioni

In caso di problemi durante l'utilizzo del telefono

Toccare  sul telefono per aprire **HiCare**.

Per ottenere la guida dell'utente

Scaricare la Honor 6 Plus Guida dell'utente da <http://www.hihonor.com>.

-  Tutte le immagini e le illustrazioni in questa guida, inclusi, ma senza limitarsi ad essi, colore, dimensioni e contenuto visualizzato del telefono, sono solo di riferimento. Il prodotto vero e proprio potrebbe variare. Nulla in questa guida costituisce garanzia di alcun tipo, esplicita o implicita.

Informazioni sulla sicurezza

Questa sezione contiene informazioni importanti in merito all'uso del dispositivo. Contiene inoltre alcune informazioni sulla sicurezza del dispositivo. Leggere attentamente il presente documento prima dell'uso.

Dispositivo elettronico

Non utilizzare il dispositivo se ne è vietato l'uso. Non utilizzare il dispositivo se ciò comporta pericolo o rischio di interferenza con altri dispositivi elettronici.

Interferenza con apparecchiature mediche

- Consultare il proprio medico e il produttore del dispositivo per stabilire se l'utilizzo del telefono può interferire con il funzionamento di eventuali dispositivi medici.

- Seguire le disposizioni e le norme stabilite dalle strutture ospedaliere e sanitarie. Non usare il dispositivo quando ciò è vietato.
- Alcuni dispositivi wireless possono compromettere il funzionamento di apparecchi acustici e pacemaker. Consultare l'operatore per ulteriori informazioni.
- I produttori di pacemaker consigliano di mantenere una distanza minima di 15 cm tra il dispositivo e il pacemaker per evitare interferenze. I portatori di pacemaker devono utilizzare l'orecchio sul lato opposto rispetto al pacemaker durante le conversazioni e non riporre mai il dispositivo nel taschino sul petto.

Protezione dell'udito quando si utilizza un auricolare



- Per evitare eventuali danni all'udito, non ascoltare a un volume eccessivo per periodi prolungati.
- L'utilizzo di auricolari a un volume eccessivo può provocare danni all'udito. Per ridurre il rischio, abbassare il volume degli auricolari a un livello sicuro e confortevole.
- L'esposizione a un volume elevato durante la guida può causare distrazioni e aumentare il rischio di un incidente.

Ambiente a rischio di esplosione

Spegnere sempre il dispositivo nelle aree a rischio di esplosione e attenersi scrupolosamente a tutti i segnali e le istruzioni. Le aree a rischio di esplosione comprendono quelle in cui si raccomanda generalmente di spegnere il motore dell'auto. L'emissione di scintille in tali aree potrebbe provocare deflagrazioni o incendi, con conseguenti lesioni fisiche anche mortali. Non accendere il dispositivo nelle aree di rifornimento carburante, come le stazioni di servizio. Attenersi alle restrizioni sull'uso delle apparecchiature radio nelle aree di deposito, stoccaggio e distribuzione di carburante e negli impianti chimici. Inoltre, osservare le restrizioni applicabili all'interno delle aree in cui sono utilizzati esplosivi. Prima di utilizzare il dispositivo, accertarsi di non trovarsi in vicinanze di aree a rischio di esplosione. In genere, ma non sempre, queste aree sono segnalate chiaramente. Alcuni esempi sono la sottocoperta delle navi, le strutture per lo stoccaggio o il trasferimento di sostanze chimiche e le aree in cui vi sono sostanze o particelle chimiche disperse nell'atmosfera, come pulviscolo e polveri metalliche. Prima di utilizzare il dispositivo in prossimità di un veicolo GPL, chiedere informazioni al fabbricante.

Norme di sicurezza per la circolazione su strada

- Rispettare le norme e i regolamenti locali durante l'uso del dispositivo. Per ridurre il rischio di incidenti, non utilizzare il dispositivo wireless durante la guida.
- Concentrarsi sempre sulla guida: la responsabilità primaria del conducente è guidare con prudenza;

- Non tenere il dispositivo in uso in mano durante la guida. Utilizzare accessori vivavoce.
- Prima di effettuare o rispondere a una telefonata, prima accostare e parcheggiare l'auto in modo sicuro.
- I segnali RF possono interferire con i sistemi elettronici dei veicoli a motore. Per ulteriori informazioni, consultare il produttore del veicolo.
- Nei veicoli a motore, non posizionare il dispositivo sull'airbag o nella relativa zona di apertura poiché in caso di urto la grande energia di espulsione dell'air bag causerebbe un grave infortunio.
- Non utilizzare il dispositivo in aereo o immediatamente prima di salire a bordo. L'uso di dispositivi wireless in aereo può interferire con le reti wireless, costituire pericolo per le operazioni dell'aereo o essere proibito dalla legge.

Ambito di funzionamento

- Evitare ambienti polverosi, con eccessiva umidità e sporcizia. Evitare i campi magnetici. L'uso del dispositivo in questi ambienti può causare malfunzionamenti nei circuiti.
- Non utilizzare il dispositivo durante i temporali poiché potrebbe danneggiarsi a causa delle sovracorrenti provocate dai fulmini.
- La temperatura di funzionamento ideale varia da 0°C a 35°C. La temperatura di conservazione ideale varia da -20°C a 70°C. Condizioni estreme di calore o

freddo possono danneggiare il dispositivo e gli accessori.

- Non esporre il dispositivo alla luce diretta del sole (ad esempio lasciandolo sul cruscotto dell'auto) per periodi di tempo prolungati.
- Per proteggere il dispositivo e i suoi accessori dal pericolo di incendio o di scosse elettriche, evitare il contatto con la pioggia e con l'umidità.
- Conservare il dispositivo lontano da fonti di calore e da fiamme, quali termosifoni, forni a microonde, stufe, scaldabagni, camini o candele.
- Non collocare oggetti di metallo appuntiti, ad esempio spille, vicino agli auricolari o all'altoparlante. L'auricolare può attrarre questi oggetti e causare infortuni.
- Smettere di utilizzare il dispositivo o le applicazioni per un po' di tempo se si nota un surriscaldamento. Se si tocca il dispositivo surriscaldato per un periodo di tempo prolungato, la pelle potrebbe incorrere nei sintomi da bruciatura, quali ad esempio punti rossi o pigmentazione più scura.
- Non utilizzare il flash della fotocamera del dispositivo orientandolo negli occhi di persone o animali, poiché ciò comporterebbe la temporanea perdita della vista o anche danni permanenti agli occhi.
- Non toccare l'antenna del dispositivo poiché ciò avrebbe un impatto negativo sulla qualità delle comunicazioni.

- Non permettere ai bambini o ad animali domestici di avvicinare il dispositivo e i suoi accessori alla bocca e di morderli. Tali azioni possono causare danni o esplosioni.
- Rispettare le norme e i regolamenti locali, nonché la privacy e i diritti legali degli altri.

Sicurezza dei bambini

- Osservare tutte le precauzioni che tutelano la sicurezza dei bambini. Lasciare che i bambini giochino con il dispositivo o i suoi accessori può essere pericoloso. Il dispositivo presenta parti rimovibili che possono essere ingoiate da un bambino, che così rischierebbe di soffocare. Tenere lontano dalla portata dei bambini.
- Il dispositivo e i suoi accessori non sono pensati per essere utilizzati da bambini. È opportuno che i bambini utilizzino il dispositivo solo in presenza di un adulto.

Accessori

- L'uso di adattatori di alimentazione, caricabatterie o batterie non approvati o incompatibili potrebbe causare un incendio, un'esplosione o altri eventi pericolosi.
- Scegliere solo accessori approvati per l'utilizzo con questo modello dal produttore del dispositivo. L'uso di un qualsiasi altro tipo di accessori può rendere nulla la garanzia, violare leggi e normative locali ed esporre a rischi persone e cose. Contattare il

rivenditore per informazioni sulla disponibilità di accessori approvati nella propria zona.

Sicurezza del caricabatteria

- Per i dispositivi collegabili, la presa deve essere installata accanto al dispositivo ed essere facilmente accessibile.
- Quando non in uso, scollegare il caricabatteria dalla presa di corrente e dal dispositivo.
- Evitare che il caricabatteria cada o subisca urti.
- Se il cavo di alimentazione è danneggiato (ad es. fili scoperti o interrotti) o la spina non è fissata correttamente, smettere di utilizzare il cavo. Continuare a utilizzarlo può esporre a scosse elettriche e causare un cortocircuito o un incendio.
- Non toccare il cavo di alimentazione con le mani bagnate e non scollegare il caricabatteria tirandolo dal cavo di alimentazione.
- Non toccare il dispositivo o il caricabatteria con le mani bagnate poiché ciò può esporre a scosse elettriche e causare cortocircuiti o malfunzionamenti.
- Se il caricabatteria si è bagnato con acqua, altri liquidi o umidità eccessiva, portarlo a un centro di assistenza autorizzato per un controllo.
- Accertarsi che il caricabatteria soddisfi i requisiti specificati alla clausola 2.5 di IEC60950-1/EN60950-1/UL60950-1 e che sia stato collaudato e approvato in conformità con gli standard nazionali o locali.

- Il dispositivo deve essere collegato unicamente a prodotti recanti il logo USB-IF o per i quali è attestato il completamento del programma di conformità USB-IF.

Sicurezza delle batterie

- Non far venire i poli della batteria a contatto con elementi conduttori, quali ad esempio chiavi, braccialetti, collane o altri materiali metallici. Tale azione potrebbe cortocircuitare la batteria ed esporre a rischio di infortuni o bruciature.
- Tenere la batteria lontana da fonti di calore eccessivo e non esporla alla luce diretta del sole. Non collocarla in prossimità di dispositivi di riscaldamento, quali ad esempio forni a microonde, stufe o termosifoni. Se surriscaldate, le batterie possono esplodere.
- Non tentare di modificare, riconfezionare o ricostruire la batteria, non inserirvi oggetti estranei e non bagnarla con acqua o altri liquidi. Tali azioni possono causare un incendio, un'esplosione o altri eventi pericolosi.
- Se la batteria ha una perdita, evitare che l'elettrolito venga a contatto diretto con la pelle o gli occhi. In caso di contatto con la pelle o con gli occhi, sciacquare immediatamente con acqua pulita e consultare un medico.
- Se la batteria si deforma, cambia colore o si surriscalda quando è sotto carica o in uso, smettere immediatamente di utilizzare il dispositivo e rimuovere la batteria dal suo interno. Continuare a

utilizzarla può portare alla rottura della batteria, a un incendio o a un'esplosione.

- Non gettare le batterie nelle fiamme in quanto potrebbero esplodere. Anche le batterie danneggiate possono esplodere.
- Smaltire le batterie usate in conformità alle normative locali. L'uso improprio della batteria può causare un incendio, un'esplosione o altri eventi pericolosi.
- Non permettere ai bambini o ad animali domestici di avvicinare la batteria alla bocca e di morderla. Tali azioni possono causare danni o esplosioni.
- Non frantumare né forare la batteria ed evitare di esporla a elevate pressioni esterne. Tali azioni possono causare un cortocircuito o surriscaldare la batteria.
- Non lasciar cadere il dispositivo o la batteria. Se il dispositivo o la batteria vengono sottoposti a urti, specialmente contro superfici dure, possono danneggiarsi.
- Se il tempo di standby del dispositivo si riduce in modo significativo, sostituire la batteria.
- Il dispositivo è fornito di una batteria incorporata e non rimovibile. Non provare a rimuovere la batteria poiché si potrebbe danneggiare il dispositivo. Per sostituire la batteria, affidare il dispositivo a un centro di assistenza autorizzato.

Pulizia e manutenzione

- Tenere asciutti il dispositivo e gli accessori. Non provare ad asciugarli con fonti di calore esterne, quali ad esempio forni a microonde o asciugacapelli.
- Non esporre il dispositivo o i suoi accessori a condizioni estreme di calore o freddo. Condizioni di questo tipo possono interferire con il corretto funzionamento e causare un incendio o un'esplosione.
- Gli urti possono comportare malfunzionamento del dispositivo, surriscaldamento, incendio o esplosione e vanno perciò evitati.
- Prima di effettuare operazioni di pulizia o manutenzione del dispositivo, smettere di utilizzarlo, arrestare tutte le applicazioni e scollegare tutti i cavi a esso collegati.
- Non utilizzare detergenti, polveri o altri agenti chimici (ad esempio alcool e benzene) per eseguire la pulizia del dispositivo o degli accessori. Queste sostanze possono causare danni agli elementi o esporre al rischio di incendio. Per la pulizia del dispositivo e degli accessori utilizzare un panno pulito, morbido e asciutto.
- Non collocare accanto al dispositivo e per lungo tempo schede aventi strisce magnetiche, come ad esempio carte di credito o schede telefoniche. Le strisce magnetiche possono danneggiarsi.
- Non smontare, riconfezionare o ricostruire il dispositivo o i suoi accessori. Tali azioni annullano la

validità della garanzia ed esonerano il produttore dalla responsabilità di eventuali danni. In caso di danni, rivolgersi a un centro assistenza autorizzato per la riparazione.

- Se il dispositivo si rompe dopo un urto, smettere immediatamente di utilizzarlo. Non toccare né tentare di rimuovere le parti rotte. Rivolgersi tempestivamente a un centro di assistenza autorizzato.

Chiamate di emergenza

La disponibilità ad effettuare chiamate di emergenza è soggetta alla qualità della rete cellulare in uso, ai criteri adottati dall'operatore e alle leggi e alle regolamentazioni locali. È consigliabile non affidarsi unicamente al dispositivo per effettuare comunicazioni di importanza critica, come ad esempio nel caso di un'emergenza medica.

Informazioni sullo smaltimento e sul riciclo



Questo simbolo (con o senza una barra continua) sul dispositivo, sulle batterie (se incluse) e/o sulla confezione, indica che il dispositivo, i suoi accessori elettrici (ad esempio auricolare, adattatore, cavo) e le batterie non devono essere smaltiti insieme

ai rifiuti domestici. Questi elementi non vanno smaltiti nei rifiuti cittadini indifferenziati e vanno conferiti presso appositi punti di raccolta autorizzati per il riciclo o il corretto smaltimento.

Per informazioni più dettagliate sul riciclo del dispositivo e delle batterie, rivolgersi all'ufficio locale preposto,

all'ente per lo smaltimento dei rifiuti o al punto di acquisto.

Lo smaltimento del dispositivo e delle batterie (se incluse) è regolamentato dalla Direttiva WEEE (Direttiva 2012/19/UE) e dalla Direttiva sulle batterie (Direttiva 2006/66/CE). Per ridurre al minimo il potenziale impatto ambientale sulla salute dovuto alle sostanze pericolose in essi contenuti, i RAEE e le batterie devono essere smaltiti separatamente dagli altri rifiuti.

Riduzione delle sostanze pericolose

Il dispositivo è conforme alla Regolamentazione REACH [Regolamentazione (CE) n. 1907/2006] e alla Direttiva RoHS (Direttiva 2011/65/UE). Le batterie (se incluse) sono conformi alla Direttiva per le batterie (Direttiva 2006/66/CE). Per le informazioni più recenti in tema di conformità a REACH e RoHS, visitare il sito Web <http://www.hihonor.com>.

Conformità alla normativa UE

Utilizzo a contatto con il corpo

Il dispositivo è conforme alle specifiche RF quando viene utilizzato accostato all'orecchio o a una distanza di 1,5 cm dal corpo. Verificare che gli accessori del dispositivo, come astucci o custodie, non abbiano componenti metalliche. Mantenere sempre il dispositivo lontano dal corpo per rispettare i requisiti sulla distanza.

Informazioni sulla certificazione (SAR)

Questo dispositivo soddisfa i requisiti stabiliti dalle direttive sull'esposizione alle onde radio.

Questo è un dispositivo di ricezione e trasmissione a bassa potenza. È stato progettato in modo da non

superare i limiti di esposizione alle onde radio raccomandati dalle direttive internazionali. Tali direttive sono state sviluppate dall'ICNIRP (International Commission on Non-Ionizing Radiation Protection), un'organizzazione scientifica indipendente, e prevedono misure di sicurezza destinate a garantire la protezione di tutte le persone, indipendentemente dall'età e dalle condizioni di salute.

Il tasso di assorbimento specifico (SAR) è l'unità di misura della quantità di frequenze radio assorbite dal corpo durante l'utilizzo di un dispositivo. Il valore SAR è determinato in base al livello massimo di potenza osservato in laboratorio. Il livello di SAR effettivo raggiunto durante l'utilizzo del dispositivo può tuttavia rivelarsi inferiore. Ciò avviene perché il dispositivo è progettato per funzionare al livello minimo di potenza richiesto per connettersi alla rete.

Il limite SAR adottato in Europa è 2,0 W/kg su una media di 10 grammi di tessuto e il valore SAR più elevato di questo dispositivo soddisfa questo limite.

In questo caso, il valore massimo di SAR riportato per questo tipo di dispositivo è di 0,284 W/kg per l'uso all'orecchio, e di 0,464 W/kg quando portato in prossimità del corpo.

Dichiarazione

Con il presente documento, Huawei Technologies Co., Ltd. dichiara che questo dispositivo è conforme ai requisiti essenziali e alle altre disposizioni applicabili della direttiva 1999/5/CE e alla Direttiva 2011/65/EU.

Per la dichiarazione di conformità, visitare il sito Web <http://www.hihonor.com>.

Nel prodotto è inclusa la seguente dicitura:

CE 0197 

Questo dispositivo può essere usato in tutti gli stati membri dell'Unione Europea.

Rispettare le leggi nazionali e locali durante l'uso del dispositivo.

L'uso del dispositivo può essere limitato sulla base della rete locale.

Limitazioni nella banda dei 2,4 GHz:

Norvegia: questa sottosezione non si applica all'area geografica entro un raggio di 20 km dal centro di Ny-Ålesund.

Limitazioni nella banda dei 5 GHz:

la funzione WLAN di questo dispositivo è limitata al solo uso in interni quando funzionante nella gamma di frequenza compresa tra 5150 e 5350 MHz.

Sicurezza delle informazioni e dei dati personali

L'uso di alcune funzioni o di applicazioni di terze parti sul dispositivo potrebbe generare la perdita delle proprie informazioni e dati personali o la possibilità di accesso ad esse da parte di altri. Per proteggere le informazioni personali e quelle riservate, sono consigliate numerose misure.

- Posizionare il dispositivo in luogo sicuro, onde evitare l'uso non autorizzato.

- Impostare il blocco dello schermo del dispositivo e creare una password o una sequenza di sblocco per aprirlo.
- Eseguire con regolarità il back-up delle informazioni personali contenute nella scheda USIM/SIM, nella memory card o nella memoria del dispositivo. Se si passa a un altro dispositivo, ricordarsi di spostare o eliminare le informazioni personali presenti sul dispositivo vecchio.
- Se si teme l'attacco di virus al ricevimento di messaggi o e-mail da parte di mittenti sconosciuti, tenere presente che è possibile eliminarli senza aprirli.
- Se si impiega il dispositivo per navigare in Internet, evitare i siti Web che potrebbero implicare problemi di sicurezza quali, ad esempio, il furto dei dati personali.
- Se si impiegano servizi quali Wi-Fi tether o Bluetooth, impostare delle password per questi servizi al fine di evitare l'accesso non autorizzato. Quando non si usano questi servizi, disattivarli.
- Installare o aggiornare il software di sicurezza del dispositivo ed eseguire con regolarità una scansione per il rilevamento di virus.
- Ricordare sempre di ottenere le applicazioni di terze parti da una fonte legittima. Eseguire l'utilità antivirus sulle applicazioni scaricate di terze parti.

- Installare il software di sicurezza o le patch rilasciate da Huawei o dai fornitori delle applicazioni di terze parti.
- Alcune applicazioni richiedono e trasmettono informazioni locali. Ne consegue che una terza parte potrebbe essere in grado di condividere le vostre informazioni locali.
- Il dispositivo potrebbe fornire informazioni di rilevamento e diagnosi ai fornitori delle applicazioni di terze parti. I vendor di terze parti utilizzano queste informazioni per migliorare i propri prodotti e servizi.

Note legali

Copyright © Huawei Technologies Co., Ltd. 2015. Tutti i diritti riservati.

Nessuna parte del presente manuale potrà essere riprodotta o trasmessa in qualsiasi forma e con qualsiasi mezzo senza la previa autorizzazione scritta di Huawei Technologies Co., Ltd. e delle sue affiliate ("Huawei").

Il prodotto descritto nel presente manuale può includere software protetto da copyright di Huawei e di possibili altri concessionari di licenze. Il cliente non dovrà in alcun modo riprodurre, distribuire, modificare, decompilare, disassemblare, decrittografare, estrarre, retroingegnerizzare, assegnare, concedere in affitto o in sublicenza detto software, salvo che tali restrizioni siano vietate dalle leggi applicabili o che tali azioni siano approvate dai rispettivi titolari del copyright.

Marchi e autorizzazioni



honor, HUAWEI, HUAWEI e  sono marchi o marchi registrati di Huawei Technologies Co., Ltd.

Android™ è un marchio di Google Inc.

LTE è un marchio di ETSI.

Il marchio e i loghi *Bluetooth*® sono marchi registrati di proprietà di *Bluetooth SIG, Inc.* e ogni uso di tali marchi da parte di Huawei Technologies Co., Ltd. avviene in conformità con quanto previsto dalla licenza.

Altri marchi, prodotti, servizi e nomi di aziende menzionati potrebbero essere proprietà dei rispettivi proprietari.

Avviso

Alcune caratteristiche del prodotto e dei suoi accessori descritti in questo manuale riguardano esclusivamente il software installato, le capacità e le impostazioni della rete locale, pertanto potrebbero non essere attivate o potrebbero essere limitate dagli operatori della rete locale o dai fornitori dei servizi di rete.

Per tale ragione, le descrizioni contenute nel presente manuale potrebbero non corrispondere esattamente al prodotto o agli accessori acquistati.

Huawei si riserva il diritto di cambiare o modificare qualsiasi informazione o specifica contenuta nel presente manuale, in qualsiasi momento, senza preavviso e senza alcun tipo di responsabilità.

Informativa sul software di terzi

Huawei non è il proprietario intellettuale dei software e delle applicazioni di terzi forniti con il presente prodotto. Di conseguenza, Huawei non fornirà alcuna garanzia per software e applicazioni di terzi. Huawei non fornirà né supporto ai clienti che utilizzano i suddetti software e applicazioni di terzi, né sarà responsabile in alcun modo delle funzioni dei suddetti software e applicazioni di terzi. Le applicazioni e i software di terzi possono essere interrotti o terminati in qualsiasi momento e Huawei non garantisce la disponibilità di nessun contenuto o servizio. I fornitori terzi di servizi forniscono contenuti e servizi mediante la rete o strumenti di trasmissione non controllati da Huawei. Nella massima misura consentita dalla legge in vigore, si specifica espressamente che Huawei non risarcirà né sarà responsabile dei servizi forniti da terzi o dell'interruzione o terminazione di servizi o contenuti forniti da terzi.

Huawei non sarà responsabile della legalità, qualità o qualsiasi altro aspetto di qualunque software installato su questo prodotto né di qualsiasi lavoro di terzi caricato o scaricato in qualsiasi forma, inclusi ma senza limitarsi ad essi, testi, immagini, video o software ecc. I clienti si assumeranno il rischio di qualsiasi effetto, inclusa l'incompatibilità tra il software e questo prodotto, conseguente all'installazione di software o al caricamento o scaricamento di lavori di terzi.

Questo prodotto si basa sulla piattaforma open-source Android™. Huawei ha apportato le dovute modifiche alla piattaforma. Pertanto, questo prodotto potrebbe non supportare tutte le funzioni che sono generalmente

supportate dalla piattaforma Android standard o potrebbe essere incompatibile con il software di terzi. Huawei non fornisce alcuna garanzia né dichiarazione in relazione all'eventuale compatibilità di cui sopra ed esclude espressamente ogni responsabilità in relazione a questioni di questo tipo.

DISCLAIMER

TUTTO IL CONTENUTO DI QUESTO MANUALE VIENE FORNITO "COSÌ COM'È". AD ECCEZIONE DI QUANTO RICHIESTO DALLE LEGGI IN VIGORE, NON VIENE RILASCIATA ALCUNA GARANZIA DI ALCUN TIPO, ESPLICITA O IMPLICITA, INCLUSE LE GARANZIE IMPLICITE DI COMMERCIALIZZABILITÀ O IDONEITÀ PER UN PARTICOLARE SCOPO, IN RELAZIONE ALL'ACCURATEZZA, ALL'AFFIDABILITÀ O AL CONTENUTO DEL PRESENTE MANUALE.

NELLA MISURA MASSIMA CONSENTITA DALLA LEGGE APPLICABILE, HUAWEI NON POTRÀ ESSERE RITENUTA RESPONSABILE PER EVENTUALI DANNI SPECIALI, INCIDENTALI, INDIRETTI O CONSEGUENTI, NÉ QUELLI DERIVANTI DA PERDITA DI PROFITTI, ATTIVITÀ, REDDITI, DATI, AVVIAMENTO O GUADAGNI ANTICIPATI INDIPENDEMENTE DALLA PREVEDIBILITÀ, O MENO, DI TALI DANNI.

FATTA SALVA LA RESPONSABILITÀ PER LESIONI PERSONALI NELLA MISURA PREVISTA DALLA LEGGE, LA MASSIMA RESPONSABILITÀ DI HUAWEI DERIVANTE DALL'USO DEL PRODOTTO DESCRITTO NEL PRESENTE MANUALE SARÀ LIMITATA ALLA SOMMA PAGATA DAL CLIENTE PER L'ACQUISTO DEL PRODOTTO.

Normativa per l'importazione e l'esportazione

Il cliente dovrà attenersi a tutte le leggi e normative per l'esportazione o l'importazione e concorda di avere la responsabilità dell'ottenimento di tutti i necessari permessi e licenze del governo per l'esportazione, la re-esportazione o l'importazione del prodotto menzionato in questo manuale, tra cui il software e i dati tecnici ivi contenuti.

Informativa sulla privacy

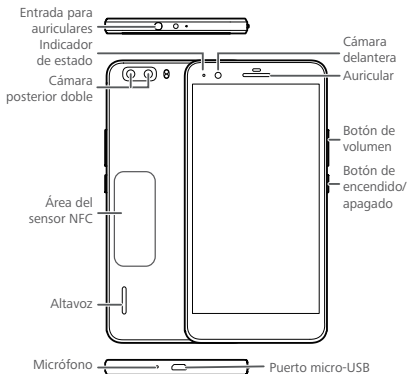
Per comprendere meglio come proteggere le informazioni personali, vedere l'informativa sulla privacy all'indirizzo <http://www.hihonor.com>.

Descripción rápida del teléfono

Antes de comenzar, examinemos el teléfono nuevo.

Mantenga pulsado el botón de encendido/apagado para encender o apagar el teléfono.

- i** Para forzar el reinicio del teléfono, mantenga pulsado el botón de encendido/apagado hasta que el teléfono vibre.

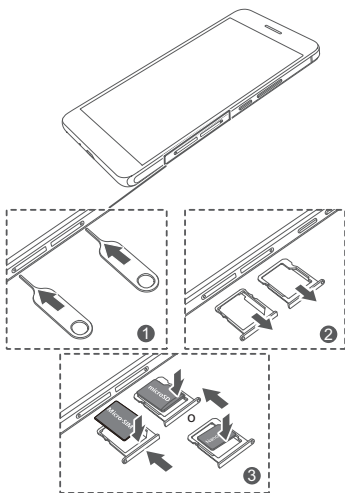


Pasos iniciales

Siga las instrucciones que se muestran en las figuras para configurar el teléfono. No inserte ni extraiga la tarjeta SIM con el teléfono encendido.

⊘ Tenga cuidado cuando utilice la herramienta para extraer la SIM, para evitar lastimarse los dedos o dañar el teléfono. Guarde la herramienta en un lugar seguro, fuera del alcance de los niños para evitar que la ingieran o se lastimen con ella por accidente.

⚠ Inserte la tarjeta SIM en la ranura correcta para asegurarse de que el teléfono la reconozca.




Más información

¿Experimentó problemas al usar el teléfono?

Pulse  en el teléfono para abrir **HiCare**.

¿Desea obtener la guía del usuario completa?

Descargue la Guía del usuario del Honor 6 Plus de <http://www.hihonor.com>.

-  Todas las imágenes e ilustraciones de esta guía, incluidos y no limitándolos al color, el tamaño y los contenidos que aparecen en el teléfono, solo se muestran a modo de referencia. El producto adquirido puede presentar diferencias. Ningún contenido de esta guía constituye garantía de ningún tipo, ni expresa ni implícita.

Información de seguridad

Esta sección contiene información importante sobre el funcionamiento del dispositivo. Describe, además, cómo utilizar el dispositivo de manera segura. Lea esta información atentamente antes de utilizar el dispositivo.

Dispositivos electrónicos

No utilice el dispositivo cuando su uso esté prohibido. No utilice el dispositivo cuando su uso pueda generar situaciones peligrosas o interferir con otros dispositivos electrónicos.

Interferencias con dispositivos médicos

- Comuníquese con su médico y con el fabricante del dispositivo para saber si el uso del teléfono puede interferir con algún dispositivo médico.

- Cumpla con las reglas y normas vigentes de los hospitales y centros de salud. No utilice el dispositivo en lugares donde su uso esté prohibido.
- Algunos dispositivos inalámbricos pueden afectar el funcionamiento de los audífonos o marcapasos. Comuníquese con el operador para obtener más información.
- Los fabricantes de marcapasos recomiendan mantener una distancia mínima de 15 cm entre el teléfono móvil y un marcapasos para evitar posibles interferencias. En caso de tener un marcapasos, use el teléfono en el lado opuesto y no lo lleve en el bolsillo delantero.

Protección de la audición durante el uso de auriculares



- Para evitar daños al oído, no escuche música a un volumen muy elevado por períodos prolongados.
- Si se utilizan auriculares a un volumen muy elevado, se pueden lesionar los oídos. Para evitar lesiones, baje el volumen a un nivel seguro y confortable.
- La exposición a volúmenes altos mientras conduce un vehículo puede distraerlo y aumentar la probabilidad de sufrir accidentes.

Ambientes con riesgo de explosión

Apague el dispositivo al encontrarse en un entorno potencialmente explosivo, y cumpla con todas las

instrucciones e indicaciones pertinentes. Entre las áreas que pueden tener entornos potencialmente explosivos se encuentran aquellas en las que normalmente se le recomendaría apagar el motor de su vehículo. En estas áreas, las chispas pueden provocar explosiones o un incendio, lesiones e incluso la muerte. No encienda el dispositivo en establecimientos de recarga de combustible, como gasolineras. Respete las restricciones relativas al uso de equipos de radio en zonas de depósito, almacenamiento y distribución de combustible, así como en plantas químicas. Asimismo, respete las restricciones vigentes en áreas donde se ejecutan detonaciones. Antes de usar el dispositivo, asegúrese de no encontrarse en áreas con entornos potencialmente explosivos. Estas áreas suelen estar claramente señalizadas, pero esto no siempre es así. Entre dichas áreas se encuentran: las zonas debajo de las cubiertas de los barcos, las instalaciones de almacenamiento o transporte de productos químicos y las zonas en las que el aire contiene sustancias químicas o partículas, como granos, polvo o briznas de metal. Consulte al fabricante de vehículos que utilicen gas licuado de petróleo (como propano o butano) si el dispositivo puede ser utilizado sin riesgos cerca de dichos vehículos.

Seguridad vial

- Cumpla con las normas y leyes locales cuando utilice el dispositivo. A fin de evitar accidentes, no utilice su dispositivo inalámbrico mientras conduce.
- Concéntrese en conducir. Su responsabilidad primordial es conducir de manera segura.

- No sostenga el dispositivo mientras conduce. Utilice los accesorios de manos libres.
- Si debe hacer o responder una llamada, primero detenga el vehículo en un sitio seguro y estacionelo.
- Las señales de radiofrecuencia podrían afectar los sistemas electrónicos de los vehículos. Para más información, consulte al fabricante del vehículo.
- En un vehículo, no coloque el dispositivo sobre el airbag ni en su área de apertura. Si el airbag se infla, podría lesionarlo debido a la gran fuerza que ejerce al inflarse.
- No utilice el dispositivo a bordo de un avión o en las inmediaciones del mismo. El uso de dispositivos inalámbricos en un avión puede interferir con las redes inalámbricas y resultar peligroso para pilotar el avión. Además, puede ser ilegal.

Condiciones de uso

- No utilice el dispositivo en entornos con polvo, humedad o suciedad. Tampoco lo utilice en áreas con campos magnéticos. El uso del dispositivo en ese tipo de entornos puede ocasionar el mal funcionamiento del circuito.
- No utilice el dispositivo durante tormentas eléctricas para protegerlo de situaciones peligrosas generadas por descargas atmosféricas.
- Las temperaturas de operación ideales oscilan entre 0 °C y 35 °C. Las temperaturas de almacenamiento ideales oscilan entre -20 °C y 70 °C. El frío o el calor

extremos pueden dañar el dispositivo o los accesorios.

- No exponga el dispositivo a la luz directa del sol (por ejemplo, sobre el tablero de un automóvil) por períodos prolongados.
- Para proteger el dispositivo o los accesorios contra incendios o posibles descargas eléctricas, evite exponerlo a la lluvia y a la humedad.
- Mantenga el dispositivo alejado del fuego o de fuentes de calor (por ejemplo, estufas, hornos de microondas, cocinas, calentadores, radiadores o velas).
- No coloque objetos punzantes de metal, como alfileres, cerca del auricular o el altavoz. El auricular puede atraer esos objetos y provocar lesiones.
- Deje de utilizar las aplicaciones o el dispositivo temporalmente si se recalienta. Si la piel queda expuesta a un dispositivo sobrecalentado por un período prolongado, es posible que se produzcan síntomas de quemaduras a baja temperatura, como enrojecimiento y pigmentación más oscura.
- No dirija la cámara con flash del dispositivo hacia los ojos de las personas o mascotas. Esto podría generar pérdida temporal de la visión o daño ocular.
- No toque la antena del dispositivo. Si lo hace, es posible que la calidad de las comunicaciones se vea afectada.
- No permita que los niños ni las mascotas muerdan el dispositivo ni sus accesorios así como tampoco que

se los coloquen en la boca. Esto puede ocasionar daños o explosiones.

- Respete las leyes y normas locales, así como la privacidad y los derechos de los demás.

Seguridad de los niños

- Cumpla con todas las precauciones para la seguridad de los niños. Puede resultar peligroso permitir que los niños jueguen con el dispositivo o con los accesorios. El dispositivo contiene partes desmontables que pueden causar asfixia. Manténgalo alejado de los niños.
- El dispositivo y los accesorios no están diseñados para ser utilizados por niños. Los niños solo deben usar el dispositivo con la supervisión de un adulto.

Accesorios

- El uso de baterías, cargadores o adaptadores de corriente no autorizados o incompatibles puede generar incendios, explosiones u otras situaciones peligrosas.
- Utilice solo los accesorios aprobados por el fabricante para este modelo. El uso de cualquier otro tipo de accesorio puede invalidar la garantía, violar leyes y normas locales, y resultar peligroso. Comuníquese con el vendedor para obtener información sobre la disponibilidad de accesorios aprobados en el área donde reside.

Seguridad del cargador

- En el caso de los dispositivos que van conectados a la red, la toma de corriente debe encontrarse cerca del dispositivo y debe ser de fácil acceso.
- Desenchufe el cargador de la toma de energía y del dispositivo cuando no esté siendo utilizado.
- No deje que el cargador se caiga ni lo golpee.
- Si el cable de alimentación se daña (por ejemplo: los hilos quedan al descubierto o se rompen), o si el enchufe se afloja, deje de utilizar el cable de inmediato. Si continúa utilizándolo, es posible que se produzcan descargas eléctricas, cortocircuitos o incendios.
- No toque el cable de alimentación con las manos mojadas ni tire de él para desconectar el cargador.
- No toque el dispositivo ni el cargador con las manos mojadas. De hacerlo, es posible que se produzcan descargas eléctricas, cortocircuitos o el mal funcionamiento del dispositivo.
- Si el dispositivo estuvo expuesto al agua (o a otros líquidos) o a excesiva humedad, llévelo a un centro de servicios autorizado para que lo revisen.
- Asegúrese de que el cargador cumpla con los requerimientos de la Cláusula 2.5 de la recomendación IEC60950-1/EN60950-1/UL60950-1, y de que haya sido verificado y aprobado de conformidad con las normas nacionales o locales.

- Conecte el dispositivo solo a productos que tengan el logo USB-IF o que hayan aprobado el programa USB-IF.

Seguridad de la batería

- No acerque los polos de la batería a objetos conductores, como llaves, joyas u otros materiales de metal. De hacerlo, se pueden generar cortocircuitos en la batería, lo que puede provocar lesiones o quemaduras.
- No exponga la batería a condiciones de calor excesivo ni a la luz directa del sol. No la coloque sobre dispositivos de calentamiento, como hornos de microondas, cocinas o radiadores, ni dentro de ellos. Si se recalientan, las baterías pueden explotar.
- No intente modificar la estructura de la batería ni inserte objetos extraños en ella. No la sumerja en agua ni en otros líquidos; tampoco la exponga a ellos. Esto puede generar incendios, explosiones u otras situaciones peligrosas.
- Si la batería pierde líquido electrolítico, asegúrese de que este no entre en contacto directo con la piel ni los ojos. Si el líquido electrolítico entra en contacto con la piel o los ojos, lave inmediatamente la zona afectada con agua limpia y consulte a un médico.
- Si la batería se deforma, cambia de color o se recalienta al cargarla o guardarla, deje de utilizar el dispositivo de inmediato y extraiga la batería. Si continúa utilizándola, es posible que pierda líquido

electrolítico, o se genere un incendio o una explosión.

- No arroje las baterías al fuego ya que pueden explotar. Las baterías dañadas también pueden explotar.
- Deseche las baterías usadas de acuerdo con las normas locales. El uso no adecuado de la batería puede generar incendios, explosiones u otras situaciones peligrosas.
- No permita que los niños ni las mascotas muerdan la batería ni se la coloquen en la boca. Esto puede ocasionar daños o explosiones.
- No aplaste ni perforo la batería; tampoco la exponga a excesiva presión externa. De hacerlo, se puede generar un cortocircuito o el sobrecalentamiento de la batería.
- Evite que el dispositivo o la batería se caigan. Si el dispositivo o la batería se golpean contra una superficie dura pueden dañarse.
- Si el tiempo en espera del dispositivo se reduce significativamente, reemplace la batería.
- El dispositivo tiene una batería integrada que no puede ser extraída. No intente extraer la batería, dado que puede dañarse el dispositivo. Para reemplazar la batería, acérquese con el dispositivo al centro de servicios autorizado.

Limpieza y mantenimiento

- Mantenga el dispositivo y los accesorios secos. No intente secarlos con una fuente de calor externa, como un horno de microondas o un secador de pelo.
- No exponga el dispositivo ni los accesorios al frío o calor extremos. Este tipo de entornos puede interferir en el correcto funcionamiento y provocar incendios o explosiones.
- Evite golpes ya que estos podrían producir el mal funcionamiento o el recalentamiento del dispositivo, incendios o explosiones.
- Antes de limpiar el equipo o realizar tareas de mantenimiento, cierre todas las aplicaciones, deje de utilizarlo y desconecte todos los cables.
- No limpie el dispositivo ni los accesorios con detergentes, polvos ni con cualquier otro agente químico (como alcohol o benceno). Estas sustancias pueden dañar los componentes o causar potenciales incendios. Utilice un paño limpio, suave y seco.
- No coloque tarjetas con bandas magnéticas (como tarjetas de crédito o de teléfono) cerca del dispositivo por períodos prolongados. Esto puede dañar las bandas magnéticas de las tarjetas.
- No desarme ni modifique la estructura del dispositivo ni de los accesorios. Esto invalida la garantía y libera al fabricante de toda responsabilidad derivada de daños. Ante un problema técnico, comuníquese con un centro de servicios autorizado para solicitar ayuda o la reparación del dispositivo.

- Si la pantalla del dispositivo se daña a causa de un golpe, deje de usarlo inmediatamente. No toque el dispositivo ni intente retirar las partes dañadas. Comuníquese con el centro de servicios autorizado.

Llamadas de emergencia

La disponibilidad de las llamadas de emergencia está sujeta a la calidad de la red celular, la política del proveedor de servicios y las leyes y normas locales. Nunca dependa exclusivamente del teléfono para realizar llamadas de emergencia.

Información sobre desecho de residuos y reciclaje



Este símbolo (con o sin barra sólida) en el dispositivo, las baterías (si están incluidas) y/ o el embalaje, indica que el dispositivo y sus accesorios eléctricos (como los auriculares, el adaptador o el cable) y las baterías no

deben desecharse como residuos comunes. Estos elementos no deben desecharse como residuos municipales no clasificados y deben llevarse a un punto de recolección certificado para ser reciclados o desechados adecuadamente.

Para obtener más información sobre el reciclaje del dispositivo o de la batería, comuníquese con la oficina local, el servicio de eliminación de residuos o con la tienda minorista.

El método para desechar este dispositivo y las baterías (si están incluidas) se encuentra sujeto a la refundición de la directiva sobre WEEE (Directiva 2012/19/EU) y la Directiva sobre baterías (Directiva 2006/66/EC). El

objetivo de separar los desechos de tipo WEEE y las baterías respecto de otros tipos de desechos es minimizar el posible impacto ambiental y los peligros para la salud provocados por la presencia de sustancias peligrosas que dichos residuos pueden contener.

Reducción de sustancias peligrosas

Este dispositivo cumple con el reglamento sobre REACH [Reglamento (CE) N.º 1907/2006] y la refundición de la directiva sobre RoHS (Directiva 2011/65/EU). Las baterías, de haberlas, cumplen con la Directiva sobre baterías (Directiva 2006/66/EC). Para obtener información actualizada sobre el cumplimiento de las directivas sobre REACH y RoHS, visite la página web <http://www.hihonor.com>.

Cumplimiento de las normas de la Unión Europea

Utilización del teléfono cerca del cuerpo

El dispositivo cumple con las especificaciones de RF siempre que se use cerca del oído o a una distancia de 1,5 cm del cuerpo. Asegúrese de que los accesorios del dispositivo, tales como el estuche o la funda, no estén hechos de metal. Mantenga el dispositivo alejado del cuerpo para cumplir con el requerimiento relacionado con la distancia mencionada.

Información de certificación (SAR)

Este dispositivo cumple con las directrices relacionadas con la exposición a ondas de radio.

El dispositivo es un radiotransmisor y receptor de baja potencia. Está diseñado para no superar los límites relativos a la exposición a ondas de radio de acuerdo con

las recomendaciones establecidas por directrices internacionales. Estas directrices fueron establecidas por la Comisión Internacional de Protección contra la Radiación No Ionizante (ICNIRP), que es una organización científica independiente, e incluyen medidas de seguridad diseñadas para garantizar la protección de las personas, independientemente de la edad o el estado de salud.

La Tasa de Absorción Específica (SAR) es la unidad que se utiliza para medir la cantidad de energía de radiofrecuencia absorbida por el cuerpo cuando se utiliza un dispositivo. El valor SAR se determina al nivel certificado más alto de potencia en condiciones de laboratorio, pero el nivel SAR real del dispositivo en funcionamiento puede estar muy por debajo del valor. Esto se debe a que el dispositivo está diseñado para utilizar la potencia mínima requerida para conectarse a la red.

El límite SAR adoptado por Europa es 2,0 W/kg en promedio cada 10 gramos de tejido, y el valor SAR más alto de este dispositivo cumple con este límite.

El valor SAR más alto informado para este tipo de dispositivo cuando se lo puso a prueba para el uso sobre el oído es de 0,284 W/kg, y de 0,464 W/kg cuando se utiliza de manera adecuada sobre el cuerpo.

Declaración

Por este medio, Huawei Technologies Co., Ltd. declara que este dispositivo cumple con los requerimientos esenciales y otras disposiciones pertinentes de la Directiva 1999/5/EC y la Directiva 2011/65/EU.

La declaración de cumplimiento se puede consultar en <http://www.hihonor.com>.

El producto incluye la siguiente marca:



Este dispositivo puede ser utilizado en todos los estados miembro de la UE.

Cumpla con las reglamentaciones nacionales y locales del lugar donde se utilice el dispositivo.

El uso de este dispositivo puede estar restringido dependiendo de la red local.

Restricciones de la banda de 2.4 GHz

Noruega: este inciso no es aplicable a las áreas geográficas ubicadas dentro de un radio de 20 kilómetros del centro de Ny-Ålesund.

Restricciones de la banda de 5 GHz

La función WLAN de este dispositivo se restringe a su uso exclusivo en interiores en el rango de frecuencias de 5150 a 5350 MHz.

Información personal y seguridad de datos

El uso de algunas funciones o aplicaciones de terceros en su dispositivo podría tener como resultado la pérdida de información y datos personales o la imposibilidad de acceso a éstos para otros. Se recomiendan varias medidas para ayudarle a proteger información personal y confidencial.

- Coloque el dispositivo en una zona segura para evitar su uso no autorizado.
- Configure la pantalla del dispositivo para que se bloquee y cree una contraseña o patrón de desbloqueo para abrirla.
- Realice periódicamente copias de seguridad de la información personal guardada en la tarjeta USIM/SIM, en la tarjeta de memoria o guardada en la memoria del dispositivo. Si cambia de dispositivo, asegúrese de trasladar o eliminar cualquier información personal del dispositivo antiguo.
- Si le preocupan los virus al recibir mensajes o correo electrónico de desconocidos, puede eliminarlos sin abrirlos.
- Si utiliza su dispositivo para navegar por Internet, evite sitios web que puedan suponer un riesgo de seguridad para evitar el robo de su información personal.
- Si utiliza servicios como enlaces Wi-Fi o Bluetooth, establezca contraseñas para estos servicios a fin de impedir el uso no autorizado. Cuando no utilice estos servicios, desactívelos.
- Instale o actualice software de seguridad del dispositivo y busque virus con regularidad.
- Asegúrese de obtener las aplicaciones de terceros de una fuente legítima. Debe explorar las aplicaciones de terceros descargadas en busca de virus.

- Instale software o parches de seguridad proporcionados por Huawei o proveedores de aplicaciones de terceros.
- Algunas aplicaciones requieren y transmiten información de ubicación. Como resultado, un tercero puede compartir su información de ubicación.
- Su dispositivo puede proporcionar información de detección y diagnóstico a los proveedores de aplicaciones de terceros. Otros proveedores utilizan esta información para mejorar sus productos y servicios.

Aviso legal

Copyright © Huawei Technologies Co., Ltd. 2015. Reservados todos los derechos.

Se prohíbe reproducir o transmitir cualquier parte de este manual, de cualquier forma y por cualquier medio, sin el consentimiento previo por escrito de Huawei Technologies Co., Ltd. y sus afiliados ("Huawei").

El producto descrito en este manual puede incluir software protegido por derechos de autor de Huawei y de posibles licenciadores. Los clientes no podrán en modo alguno reproducir, distribuir, modificar, descompilar, desmontar, desenscriptar, extraer, practicar ingeniería inversa, alquilar, asignar o conceder licencias a terceros de dicho software, a menos que tales restricciones estén prohibidas por la legislación vigente o que dichas acciones reciban la aprobación de los respectivos titulares de los derechos de autor.

Marcas comerciales y permisos



honor, HUAWEI, HUAWEI y  son marcas comerciales o registradas de Huawei Technologies Co., Ltd.

Android™ es una marca comercial de Google Inc.

LTE es una marca comercial de ETSI.

Los logotipos y la marca denominativa *Bluetooth*® son marcas registradas propiedad de *Bluetooth SIG, Inc.* y todo uso de dichas marcas por parte de Huawei Technologies Co., Ltd. está sometido a un acuerdo de licencia.

Otros nombres de empresas, servicios, productos y marcas comerciales que se mencionan en este documento podrían ser propiedad de sus respectivos titulares.

Aviso

Algunas características del producto y sus accesorios descritas en el presente documento dependen del software instalado, las capacidades y los ajustes de la red local y, por lo tanto, es posible que las operadoras de red o los proveedores de servicios de red locales no las hayan activado o las hayan limitado.

Por lo tanto, las descripciones mencionadas en este manual podrían no coincidir exactamente con el producto o los accesorios adquiridos.

Huawei se reserva el derecho a cambiar o modificar cualquier información o las especificaciones contenidas en este manual sin aviso previo y sin responsabilidad comercial alguna.

Declaración de software de terceros

Huawei no es titular de la propiedad intelectual del software y las aplicaciones de terceros suministradas con este producto. Por lo tanto, Huawei no proporcionará ninguna garantía de ningún tipo para el software y las aplicaciones de terceros. Huawei tampoco proporcionará soporte a los clientes que utilicen dicho software y aplicaciones, ni será responsable de las funciones ni del rendimiento del software y las aplicaciones de terceros.

Los servicios del software y de las aplicaciones de terceros podrían interrumpirse o finalizarse en cualquier momento y Huawei no garantiza la disponibilidad de ningún contenido o servicio. Proveedores de servicios de terceros proporcionan contenido y servicios a través de la red o herramientas de transmisión ajenos al control de Huawei. Hasta el máximo permitido por la ley vigente, se establece explícitamente que Huawei no será responsable ni compensará por los servicios proporcionados por proveedores de servicios de terceros, o la interrupción o finalización de contenido o servicios de terceros.

Huawei no será responsable de la legalidad, calidad ni cualquier otro aspecto de ningún software instalado en este producto, ni de ningún trabajo de terceros transmitido o descargado de cualquier forma posible, que incluye, entre otros, textos, imágenes, vídeos, software, etc. Los clientes asumirán el riesgo de todas y cada una de las consecuencias, incluyendo la incompatibilidad entre el software y este producto, resultante de la instalación del software o la transmisión o descarga de trabajos de terceros.

Este producto está basado en la plataforma de código abierto Android™. Huawei ha realizado los cambios necesarios en dicha plataforma. Por lo tanto, es posible que este producto no admita todas las funciones compatibles con la plataforma Android estándar o podría ser incompatible con software de terceros. Huawei no ofrece ninguna garantía ni representación relacionada con dicha compatibilidad y descarta expresamente toda responsabilidad relacionada con esas cuestiones.

EXENCIÓN DE RESPONSABILIDADES

EL CONTENIDO DE ESTE MANUAL SE ENTREGA "TAL CUAL", NO ESTÁ SUJETO A GARANTÍA ALGUNA. A EXCEPCIÓN DE LOS CASOS EN QUE ASÍ LO REQUIERA LA LEY APLICABLE, NO SE OTORGAN GARANTÍAS DE NINGUNA CLASE, NI EXPRESAS NI IMPLÍCITAS. ENTRE OTRAS, A TÍTULO MERAMENTE ENUNCIATIVO, NO SE OFRECE NINGUNA GARANTÍA DE COMERCIALIZACIÓN NI DE APTITUD PARA UN FIN ESPECÍFICO RESPECTO A LA PRECISIÓN, LA CONFIABILIDAD O EL CONTENIDO DE ESTE MANUAL.

HASTA EL MÁXIMO PERMITIDO POR LA LEY VIGENTE, EN NINGÚN CASO HUAWEI SERÁ RESPONSABLE DE NINGÚN DAÑO ESPECIAL, INCIDENTAL, INDIRECTO O RESULTANTE, NI DE PÉRDIDAS DE BENEFICIOS, NEGOCIO, INGRESOS, DATOS, FONDO DE COMERCIO O AHORROS ANTICIPADOS, CON INDEPENDENCIA DE SI TALES PÉRDIDAS SON PREVISIBLES O NO.

LA RESPONSABILIDAD MÁXIMA (ESTA LIMITACIÓN NO SE APLICARÁ A RESPONSABILIDAD POR LESIONES PERSONALES EN LA MEDIDA EN QUE LA LEY VIGENTE PROHÍBA DICHA LIMITACIÓN) DE HUAWEI DERIVADA

DEL USO DEL PRODUCTO DESCRITO EN ESTE MANUAL ESTARÁ LIMITADA A LA CANTIDAD ABONADA POR LOS CLIENTES PARA ADQUIRIR ESTE PRODUCTO.

Normativa de importación y exportación

Los clientes cumplirán todas las leyes y normativas de exportación o importación vigentes y serán responsables de obtener todos los permisos y las licencias gubernamentales necesarios para exportar, re-exportar o importar el producto mencionado en este manual, incluidos el software y los datos técnicos.

Política de privacidad

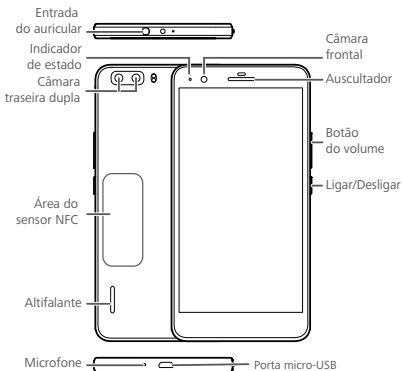
Para comprender mejor cómo protegemos sus datos personales, consulte la política de privacidad en <http://www.hihonor.com>.

Início

Antes de começar, vamos dar uma vista de olhos no seu novo telefone.

Pressione continuamente no botão ligar/desligar para ligar ou encerrar o telefone.

- i** Para forçar o telefone a reiniciar, pressione o botão ligar/desligar até o telefone vibrar.

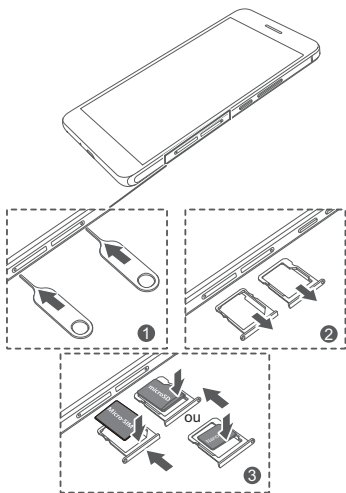


Iniciação

Siga as instruções nas figuras seguintes para configurar o seu telefone. Não insira ou remova um cartão SIM quando o telefone está ligado.

⊘ Tenha cuidado ao utilizar o ejector pin do cartão SIM ejector pin para evitar ferir os dedos ou danificar o telefone. Coloque o pin em um local seguro fora do alcance das crianças para evitar que estas o possam ingerir ou ferindo-se por acidente.

⚠ Insira o cartão SIM na entrada correcta para assegurar que é reconhecido pelo telefone.




Para mais informações

Encontrou algum problema ao utilizar o telefone?

Toque em  no telefone para abrir o **HiCare**.

Pretende obter o manual do utilizador completo?

Transfira o Honor 6 Plus Manual do Utilizador desde <http://www.hihonor.com>.

-  Todas as imagens e ilustrações neste guia, incluindo, sem limitação, a cor, o tamanho e o conteúdo do visor do telefone, são unicamente para sua referência. O produto real pode variar. Nada neste guia constitui uma garantia de qualquer tipo, expressa ou implícita.

Informações de segurança

Esta secção contém informações importantes relacionadas com o funcionamento do dispositivo. Contém também informações sobre como utilizar o dispositivo de forma segura. Leia estas informações atentamente antes de utilizar o dispositivo.

Dispositivo electrónico

Não utilize o dispositivo se a sua utilização for proibida. Não utilize o dispositivo sempre que este originar situações perigosas ou causar interferência com outros dispositivos electrónicos.

Interferência com equipamentos médicos

- Consulte o seu médico e o fabricante do dispositivo para determinar se o funcionamento do telemóvel interfere com o do dispositivo médico.
- Siga as regras e regulamentos estipulados pelos hospitais e instalações de cuidados de saúde. Não utilize o dispositivo quando for proibido.
- Alguns dispositivos sem fios podem afectar o desempenho dos aparelhos auditivos ou pacemakers. Para mais informações, contacte o seu fornecedor de serviços.
- Os fabricantes de pacemakers recomendam que se mantenha uma distância mínima de 15 cm entre um dispositivo e um pacemaker a fim de prevenir uma potencial interferência com o pacemaker. Se utilizar um pacemaker, mantenha o dispositivo no lado oposto ao do pacemaker e não transporte o dispositivo no bolso da frente.

Proteger a audição durante a utilização dos auriculares



- Para prevenir eventuais danos auditivos, não use o volume em níveis elevados durante longos períodos.
- A utilização de auscultadores a volumes elevados pode causar lesões auditivas. Para diminuir este risco, reduza o volume do auricular para um nível seguro e confortável.

- A exposição a volumes elevados durante a condução pode provocar distrações, aumentando o risco de acidente.

Atmosfera potencialmente explosiva

Desligue o dispositivo em todas as áreas com uma atmosfera potencialmente explosiva e proceda em conformidade com toda a sinalização e instruções. As áreas que podem ter atmosferas potencialmente explosivas incluem locais onde normalmente se aconselharia a paragem do motor do veículo. O despoletar de faíscas nestas áreas poderá provocar uma explosão ou incêndio, resultando em ferimentos ou mesmo mortes. Não utilize o dispositivo em pontos de reabastecimento, tais como estações de serviço. Actue em conformidade com as restrições relativas à utilização de equipamento de rádio em áreas de depósitos de combustível, armazenamento, distribuição e fábricas de produtos químicos. Para além disso, respeite as restrições das áreas onde se encontram em progresso operações com explosivos. Antes de utilizar o dispositivo, tenha em atenção áreas com atmosferas potencialmente explosivas, as quais se encontram, mas nem sempre, claramente assinaladas. Tais localizações incluem áreas por baixo do convés em embarcações, locais de transferência química ou de armazenamento e áreas em que a atmosfera contém produtos químicos ou partículas, tais como grãos, poeiras ou poeiras metálicas. Informe-se junto dos fabricantes de veículos que utilizam gás de petróleo liquefeito (tal como propano ou butano) se este dispositivo pode ser utilizado de forma segura nas suas imediações.

Segurança no trânsito

- Respeite as leis e os regulamentos locais durante a utilização do dispositivo. Para reduzir o risco de acidentes, não utilize o dispositivo sem fios enquanto conduz.
- Concentre-se na condução. A sua primeira responsabilidade é conduzir com segurança.
- Não segure no dispositivo enquanto conduz. Utilize acessórios mãos-livres.
- Quando precisar de efectuar ou atender uma chamada, saia da estrada em segurança e estacione primeiro o veículo.
- Os sinais de radiofrequência podem afectar os sistemas electrónicos de veículos motorizados. Para mais informações, consulte o fabricante do veículo.
- Não coloque o dispositivo sobre o airbag ou na zona de abertura do airbag no veículo. Caso contrário, pode magoar-se devido à força exercida quando o airbag se abre.
- Não utilize o dispositivo durante um voo de avião ou momentos antes do embarque. A utilização de dispositivos sem fios a bordo de um avião pode perturbar as redes sem fios, representar um perigo para o funcionamento do avião ou ser ilegal.

Ambiente de funcionamento

- Evite ambientes com pó, húmidos ou sujos. Evite campos magnéticos. A utilização do dispositivo nestes ambientes pode resultar num mau funcionamento do circuito.

- Evite a utilização do dispositivo durante tempestades com queda de relâmpagos para protegê-lo contra quaisquer perigos provocados por raios.
- As temperaturas ideais de funcionamento situam-se entre os 0 °C e os 35 °C. As temperaturas ideais de armazenamento situam-se também entre os -20 °C e os 70 °C. O calor ou o frio em excesso pode danificar o dispositivo ou os acessórios.
- Não exponha o dispositivo à luz solar directa (como o tablier do automóvel, por exemplo) durante períodos prolongados.
- Para proteger o dispositivo ou os acessórios do perigo de incêndio ou de choque eléctrico, evite a chuva e humidade.
- Mantenha o dispositivo protegido de fontes de calor e de incêndio, como aquecedores, fornos de micro-ondas, fogões, esquentadores, radiadores ou velas.
- Não coloque objectos de metal afiados, como alfinetes, perto do auscultador ou altifalante. Os auscultadores podem atrair estes objectos, provocando ferimentos.
- Suspenda a utilização do dispositivo ou de aplicações durante algum tempo se o dispositivo aquecer demasiado. Se a pele estiver exposta a um dispositivo sobreaquecido durante um período prolongado, podem ocorrer sintomas de queimaduras de baixa temperatura, como manchas vermelhas e pigmentação mais escura.

- Não aponte o flash da câmara do dispositivo directamente para os olhos de pessoas ou animais. Caso contrário, poderá ocorrer uma perda momentânea de visão ou lesões nos olhos.
- Não toque na antena do dispositivo. Caso contrário, a qualidade da comunicação poderá diminuir.
- Não permita que crianças ou animais mordam ou metam o dispositivo ou os acessórios na boca. Caso contrário, poderão ocorrer danos ou uma explosão.
- Respeite as leis e regulamentações locais, bem como a privacidade e os direitos legais de terceiros.

Segurança infantil

- Cumpra todas as precauções relacionadas com a segurança de crianças. Pode ser perigoso deixar as crianças brincar com o dispositivo ou os respectivos acessórios. O dispositivo inclui peças que podem ser retiradas, o que poderá constituir um risco de asfixia. Mantenha afastado das crianças.
- O dispositivo e os respectivos acessórios não foram concebidos para serem utilizados por crianças. As crianças não devem utilizar o dispositivo sem a supervisão de um adulto.

Acessórios

- A utilização de um transformador de corrente, carregador ou bateria não aprovado ou incompatível pode provocar um incêndio, uma explosão ou outros perigos.

- Selecione apenas acessórios aprovados pelo fabricante do dispositivo para utilização com este modelo. A utilização de qualquer outro tipo de acessórios pode anular a garantia, violar as leis e os regulamentos locais e ser perigoso. Contacte o seu revendedor para obter informações sobre a disponibilidade de acessórios aprovados na sua área.

Segurança do carregador

- No caso de dispositivos de ligação à corrente, a tomada eléctrica deverá estar situada perto dos dispositivos e facilmente acessível.
- Desligue o carregador da tomada eléctrica e do dispositivo quando não estiver a utilizá-lo.
- Não deixe cair nem sujeite o carregador a impactos.
- Se o cabo de alimentação estiver danificado (exposto ou partido, por exemplo), ou se a ficha estiver solta, pare imediatamente de utilizá-lo. Se continuar a utilizá-lo, poderão ocorrer choques eléctricos, curto-circuitos ou um incêndio.
- Não toque no cabo de alimentação com as mãos molhadas nem o puxe para desligar o carregador da tomada.
- Não toque no dispositivo ou carregador com as mãos molhadas. Caso contrário, poderão ocorrer curto-circuitos, avarias ou choques eléctricos.
- Se o carregador tiver sido exposto a água, outros líquidos ou humidade excessiva, leve-o a um centro de assistência autorizado para ser inspeccionado.

- Assegure-se de que o carregador cumpre os requisitos da Cláusula 2.5 em IEC60950-1/EN60950-1/UL60950-1 e que foi testado e aprovado de acordo com normas nacionais ou locais.
- Ligue o dispositivo apenas a produtos com o logótipo USB-IF ou que tenham concluído o programa de conformidade com USB-IF.

Segurança da bateria

- Não ligue os pólos da bateria com condutores, como chaves, jóias ou outros materiais metálicos. Caso contrário, a bateria pode entrar em curto-circuito e provocar ferimentos ou queimaduras.
- Mantenha a bateria afastada do calor intenso ou da luz solar directa. Não a coloque em cima ou no interior de dispositivos de aquecimento como micro-ondas, fornos ou radiadores. As baterias podem explodir quando sobreaquecidas.
- Não tente modificar ou adulterar a bateria nem insira objectos estranhos no seu interior. Não mergulhe nem exponha a bateria a água ou outros líquidos. Caso contrário, poderá ocorrer um incêndio, explosão ou outros perigos.
- Se existir uma fuga na bateria, certifique-se de que o electrólito não entra em contacto com a pele ou os olhos. Se o electrólito tocar na sua pele ou salpicar para os olhos, lave imediatamente os olhos com água limpa e consulte um médico.
- Se a bateria estiver deformada, mudar de cor ou sobreaquecer durante o carregamento ou

armazenamento, suspenda de imediato a utilização do dispositivo e remova a bateria. Se continuar a utilizá-la, pode ocorrer uma fuga na bateria, incêndio ou explosão.

- Não atire as baterias para o fogo, uma vez que podem explodir. As baterias danificadas também podem explodir.
- Elimine as baterias gastas em conformidade com as regulamentações locais. A utilização inadequada da bateria pode provocar um incêndio, explosão ou outros perigos.
- Não permita que crianças ou animais mordam ou metam a bateria na boca. Caso contrário, poderão ocorrer danos ou uma explosão.
- Não esmague ou perfure a bateria, nem a sujeite a uma pressão exterior elevada. Caso contrário, pode ocorrer um curto-circuito ou sobreaquecimento.
- Não deixe cair o dispositivo nem a bateria. Se deixar cair o dispositivo ou a bateria, especialmente numa superfície dura, podem ficar danificados.
- Se o tempo de espera do dispositivo diminuir consideravelmente, substitua a bateria.
- O dispositivo tem uma bateria não amovível incorporada. Não tente remover a bateria. Caso contrário, o dispositivo pode ficar danificado. Para substituir a bateria, leve o dispositivo a um centro de assistência autorizado.

Limpeza e manutenção

- Mantenha o dispositivo e o carregador secos. Não tente secá-lo com uma fonte de calor externa, como um forno de micro-ondas ou secador de cabelo.
- Não exponha o dispositivo ou os acessórios ao calor ou frio extremos. Estes ambientes podem interferir com o seu funcionamento correcto e provocar um incêndio ou explosão.
- Evite colisões que possam provocar avarias do dispositivo, sobreaquecimento, incêndio ou explosão.
- Antes de limpar ou guardar o dispositivo, pare de utilizá-lo, pare todas as aplicações e desligue todos os cabos de ligação.
- Não utilize qualquer detergente químico, pó ou outros agentes químicos (como álcool e benzina) para limpar o dispositivo ou os acessórios. Estas substâncias podem provocar danos nas peças ou apresentar o risco de incêndio. Utilize um pano limpo, macio e seco para limpar o exterior do dispositivo e dos acessórios.
- Não coloque cartões de fita magnética, como cartões de crédito ou de telefone, perto do dispositivo durante períodos prolongados. Caso contrário, os cartões de fita magnética podem ficar danificados.
- Não desmonte nem adultere o dispositivo e os seus acessórios. Caso contrário, anula a garantia e desresponsabiliza o fabricante de quaisquer danos.

Em caso de danos, contacte um centro de assistência autorizado para obter assistência ou para que sejam efectuadas as reparações necessárias.

- Em caso de quebra do ecrã do dispositivo por colisão, pare imediatamente de utilizar o dispositivo. Não toque nem tente retirar as peças partidas. Contacte de imediato um centro de assistência autorizado.

Chamadas de emergência

A disponibilidade das chamadas de emergência está sujeita à qualidade da sua rede celular, à política do fornecedor de serviços e às leis e regulamentações locais. Nunca dependa unicamente do dispositivo para efectuar comunicações essenciais, como emergências médicas.

Informações sobre eliminação e reciclagem



Este símbolo (com ou sem uma barra escura) no dispositivo, nas baterias (caso estejam incluídas) e/ou na embalagem indica que o dispositivo e os acessórios eléctricos (por exemplo, os auriculares, transformador ou

cabo) e as baterias não devem ser eliminados como lixo doméstico. Estes itens não devem ser eliminados como resíduos urbanos indiferenciados e devem ser depositados num ponto de recolha certificado para reciclagem ou eliminação adequada.

Para obter informações mais detalhadas sobre a reciclagem do dispositivo ou da bateria, contacte a sua Câmara Municipal, o serviço de eliminação de resíduos domésticos ou o seu revendedor.

A eliminação do dispositivo e das baterias (caso estejam incluídas) está sujeita à Directiva de Resíduos de Equipamentos Eléctricos e Electrónicos (REEE) reformulada (Directiva 2012/19/UE) e à Directiva sobre baterias (Directiva 2006/66/CE). O motivo pelo qual se devem separar os REEE e as pilhas de outros resíduos consiste em minimizar os potenciais impactos ambientais e os riscos para a saúde humana causados por quaisquer substâncias perigosas que possam estar presentes.

Redução de substâncias perigosas

Este dispositivo está em conformidade com o regulamento REACH [Regulamento (CE) n.º 1907/2006] e com a Directiva RSP reformulada (Directiva 2011/65/UE). As baterias (se incluídas) estão em conformidade com a Directiva sobre baterias (Directiva 2006/66/CE). Para obter informações actualizadas sobre a conformidade REACH e RSP, visite a página Web <http://www.hihonor.com>.

Conformidade regulamentar da UE

Utilização junto ao corpo

O dispositivo está em conformidade com as especificações de radiofrequência emitidas quando é utilizado junto do ouvido ou a uma distância de 1,5 cm do corpo. Certifique-se de que os acessórios do dispositivo, tais como a caixa e o estojo do mesmo, não contêm componentes de metal. Mantenha o dispositivo afastado do corpo para respeitar a distância exigida.

Informação de certificação (SAR)

Este dispositivo cumpre as directrizes de exposição a ondas de rádio.

O dispositivo é um transmissor e receptor de rádio de baixa potência. Conforme recomendado pelas directrizes internacionais, o dispositivo foi concebido para não exceder os limites de exposição a ondas de rádio. Estas directrizes foram desenvolvidas pela International Commission on Non-Ionizing Radiation Protection (ICNIRP, ou Comissão Internacional para a Protecção contra Radiações Não Ionizantes), uma organização científica independente, e incluem medidas de segurança para todos os utilizadores, independentemente da idade e do estado de saúde.

A taxa de absorção específica (SAR) é a unidade de medida para a quantidade de energia de radiofrequência absorvida pelo corpo durante a utilização de um dispositivo. O valor de SAR é determinado ao nível mais elevado de potência certificada em condições de laboratório, embora o nível de SAR real em funcionamento possa estar muito abaixo desse valor. Isto deve-se ao facto de o dispositivo ser concebido para utilizar a potência mínima necessária para ligar à rede. O valor SAR adoptado na Europa é de 2,0 W/kg, calculado com base em 10 gramas de tecido corporal, e o valor de SAR mais elevado deste dispositivo está em conformidade com este limite.

O valor de SAR mais elevado comunicado para este tipo de dispositivo quando testado no ouvido é de 0,284 W/kg e quando utilizado correctamente no corpo é de 0,464 W/kg.

Declaração

A Huawei Technologies Co., Ltd. declara pelo presente que este dispositivo está em conformidade com os

requisitos essenciais e outras disposições relevantes da Directiva 1999/5/CE e da Directiva 2011/65/EU.

Para consultar a declaração de conformidade, visite a página Web <http://www.hihonor.com>.

É utilizada a seguinte marcação incluída no produto:

CE 0197 

Este dispositivo pode ser utilizado em todos os Estados-Membros da UE.

Cumpra os regulamentos nacionais e locais aplicáveis no local de utilização do dispositivo.

A utilização deste dispositivo pode estar restrita, consoante a rede local.

Restrições na banda de 2,4 GHz:

Noruega: Esta subsecção não se aplica à área geográfica num raio de 20 km desde o centro de Ny-Ålesund.

Restrições na banda de 5 GHz:

A função WLAN deste dispositivo está apenas restrita à utilização em interiores quando operar no intervalo de frequência de 5150 a 5350 MHz.

Informações pessoais e segurança dos dados

A utilização de algumas funções ou aplicações de terceiros no seu dispositivo poderão resultar na perda das suas informações e dados pessoais ou torná-los acessíveis a outras pessoas. Recomendam-se várias medidas para o ajudar a proteger informações pessoais e confidenciais.

- Coloque o seu dispositivo numa área segura para impedir a utilização não autorizada do mesmo.
- Bloqueie o ecrã do dispositivo e crie uma palavra-passe ou padrão de desbloqueio para abri-lo.
- Crie periodicamente uma cópia de segurança das informações pessoais existentes no seu cartão USIM/SIM ou cartão de memória, ou guardadas na memória do dispositivo. Se mudar para um dispositivo diferente, não se esqueça de mover ou eliminar quaisquer informações pessoais no dispositivo antigo
- Se estiver preocupado com vírus quando recebe mensagens de um estranho, pode eliminá-las sem abri-las.
- Se utilizar o seu dispositivo para navegar na Internet, evite sítios Web que apresentem um risco de segurança, a fim de evitar o roubo das suas informações pessoais.
- Se utilizar serviços como a partilha da ligação Wi-Fi ou Bluetooth, defina palavras-passes para esses serviços a fim de impedir o acesso não autorizado. Quando não utilizar esses serviços, desligue-os.
- Instale ou actualize software de segurança no dispositivo e faça uma análise de vírus regularmente.
- Obtenha aplicações de terceiros a partir de fontes legítimas. Verifique sempre se as aplicações de terceiros transferidas contêm vírus.

- Instale software de segurança ou correcções lançadas pela Huawei ou por terceiros fornecedores de aplicações.
- Algumas aplicações requerem e transmitem informações de localização. Como tal, terceiros poderão ter acesso a informações sobre a sua localização.
- O seu dispositivo poderá fornecer informações de detecção e diagnóstico a terceiros fornecedores de aplicações. Os outros fornecedores utilizam essas informações para melhorar os seus produtos e serviços.

Aviso legal

Copyright © Huawei Technologies Co., Ltd. 2015. Todos os direitos reservados.

Nenhuma parte deste manual pode ser reproduzida ou transmitida sob qualquer forma ou por qualquer meio sem o consentimento prévio por escrito da Huawei Technologies Co., Ltd. e respectivas filiais ("Huawei").

O produto descrito neste manual pode incluir software protegido por direitos de autor da Huawei e possíveis licenciadores. Os clientes não podem de forma alguma reproduzir, distribuir, modificar, descompilar, desmontar, descriptar, extrair, inverter a engenharia, alugar, atribuir ou sub-licenciar o referido software, excepto se as restrições referidas forem proibidas por lei ou se as referidas acções tiverem a aprovação dos respectivos titulares de direitos de autor.

Marcas comerciais e autorizações



honor, HUAWEI, HUAWEI e  são marcas comerciais ou marcas comerciais registadas da Huawei Technologies Co., Ltd.

Android™ é uma marca comercial da Google Inc.

LTE é uma marca comercial do ETSI.

A marca nominativa e os logótipos *Bluetooth*® são marcas registadas da *Bluetooth SIG, Inc.* e qualquer utilização dessas marcas por parte da Huawei Technologies Co., Ltd. é efectuada sob licença.

Outras marcas comerciais, nomes de produtos, serviços e empresas mencionados podem pertencer aos respectivos proprietários.

Aviso

Algumas funcionalidades do produto e respectivos acessórios descritas no presente documento dependem do software instalado e das capacidades e definições da rede local, pelo que poderão não estar activadas ou poderão estar limitadas pelos operadores da rede local ou fornecedores do serviço de rede.

Como tal, as descrições aqui facultadas podem não corresponder exactamente ao produto ou respectivos acessórios que adquirir.

A Huawei reserva-se o direito de alterar ou modificar quaisquer informações ou especificações contidas neste manual sem aviso prévio e sem qualquer garantia de responsabilidade.

Declaração sobre software de terceiros

A Huawei não detém a propriedade intelectual do software e das aplicações de terceiros fornecidos com este produto. Como tal, a Huawei não fornecerá qualquer tipo de garantia para software e aplicações de terceiros. A Huawei também não prestará apoio a clientes que utilizem software e as aplicações de terceiros, nem será responsável ou responsabilizada pelas funções ou pelo desempenho de software e aplicações de terceiros.

Os serviços de software e aplicações de terceiros podem ser interrompidos ou rescindidos em qualquer altura e a Huawei não garante a disponibilidade de qualquer conteúdo ou serviço. Os fornecedores de serviços terceiros fornecem conteúdos e serviços através de ferramentas de rede ou de transmissão fora do controlo da Huawei. Até ao limite máximo permitido pela legislação em vigor, declara-se explicitamente que a Huawei não indemnizará ou será responsabilizada por serviços fornecidos por fornecedores de serviços terceiros nem pela interrupção ou cessação de conteúdos ou serviços de terceiros.

A Huawei não será responsável pela legalidade, qualidade ou quaisquer outros aspectos de qualquer software instalado neste produto ou por quaisquer trabalhos de terceiros carregados ou transferidos, incluindo, mas sem limitação, textos, imagens, vídeos, software etc. Os clientes suportarão o risco relativamente a todos e quaisquer efeitos, incluindo a incompatibilidade entre o software e este produto, que resultem da instalação de software ou do carregamento ou transferência dos trabalhos de terceiros.

Este produtos baseia-se na plataforma de código aberto Android™. A Huawei efectuou as alterações necessárias na plataforma. Como tal, este produto pode não suportar todas as funções que são suportadas pela plataforma Android padrão ou pode ser incompatível com software de terceiros. A Huawei não fornece qualquer garantia e representação em ligação com qualquer compatibilidade desse tipo e exclui expressamente qualquer responsabilidade relacionada com tais questões.

EXCLUSÃO DE RESPONSABILIDADE

TODO O CONTEÚDO DESTE MANUAL É FORNECIDO "TAL COMO ESTÁ". SALVO EXIGÊNCIAS DA LEGISLAÇÃO EM VIGOR, NÃO SÃO FORNECIDAS GARANTIAS DE QUALQUER TIPO, EXPRESSAS OU IMPLÍCITAS, INCLUINDO, MAS SEM LIMITAÇÃO, AS GARANTIAS IMPLÍCITAS DE COMERCIALIZAÇÃO E ADEQUAÇÃO A UM FIM ESPECÍFICO, EM RELAÇÃO À PRECISÃO, FIABILIDADE OU CONTEÚDOS DESTE MANUAL.

ATÉ AO LIMITE MÁXIMO PERMITIDO PELA LEGISLAÇÃO EM VIGOR, EM CIRCUNSTÂNCIA ALGUMA SERÁ A HUAWEI RESPONSÁVEL POR QUAISQUER DANOS ESPECIAIS, ACIDENTAIS, INDIRECTOS OU CONSEQUENTES OU PERDA DE LUCROS, NEGÓCIOS, RECEITAS, DADOS, POUPANÇAS DE FUNDOS DE COMÉRCIO OU POUPANÇAS ANTECIPADAS, INDEPENDENTEMENTE DE AS DITAS PERDAS SEREM PREVISÍVEIS OU NÃO.

A RESPONSABILIDADE MÁXIMA (ESTA LIMITAÇÃO NÃO SE APLICA À RESPONSABILIDADE POR FERIMENTOS PESSOAIS ATÉ AO LIMITE EM QUE A LEGISLAÇÃO EM

VIGOR PROÍBA A REFERIDA LIMITAÇÃO) DA HUAWEI RESULTANTE DA UTILIZAÇÃO DO PRODUTO DESCRITO NO PRESENTE MANUAL ESTÁ LIMITADA AO MONTANTE PAGO PELOS CLIENTES PARA A AQUISIÇÃO DESTE PRODUTO.

Regulamentação de importação e exportação

Os clientes deverão cumprir todas as leis e regulamentos de exportação ou importação em vigor e serão responsáveis por obter todas as autorizações e licenças governamentais necessárias à exportação, reexportação ou importação do produto mencionado neste manual, incluindo o software e dados técnicos contidos no mesmo.

Política de privacidade

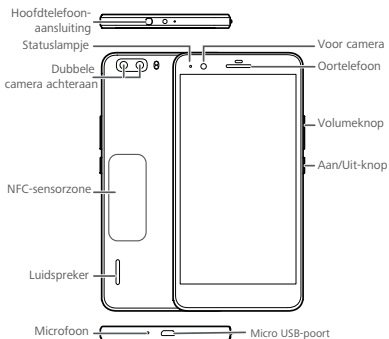
Para compreender melhor como nós protegermos as suas informações pessoais, consulte a política de privacidade em <http://www.hihonor.com>.

Uw telefoon in een notendop

Laten we van start gaan en de telefoon eens van dichtbij bekijken.

Houd de Aan/Uit-knop ingedrukt om uw telefoon in of uit te schakelen.

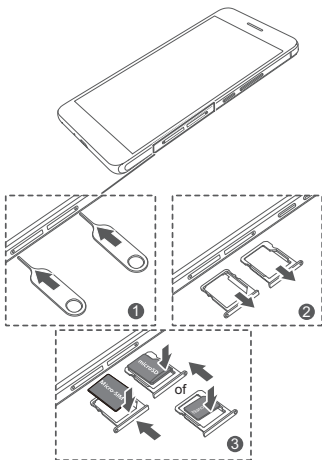
- i** Om uw telefoon geforceerd te herstarten, houdt u de Aan/Uit-knop ingedrukt totdat uw telefoon trilt.



Aan de slag

Volg de instructies in de volgende afbeeldingen voor het instellen van uw telefoon. Plaats of verwijder geen SIM-kaart wanneer uw telefoon is ingeschakeld.

- ⊘ Wees voorzichtig tijdens het gebruik van de SIM-uitwerppin om uw vingers of de telefoon niet te beschadigen. Bewaar de pin op een veilige plaats buiten het bereik van kinderen, om te voorkomen dat ze de pin inslikken of zichzelf per ongeluk bezeren.
- ⚠ Plaats de SIM-kaart in de juiste kaartsleuf zodat deze door de telefoon wordt herkend.




Voor meer informatie

Een probleem tegengekomen tijdens het gebruik van uw telefoon?

Raak  aan op uw telefoon om **HiCare** te openen.

Wilt u de volledige gebruikershandleiding ontvangen?

Download de Honor 6 Plus Gebruikershandleiding vanaf <http://www.hihonor.com>.

-  Alle afbeeldingen en illustraties in deze handleiding, met inbegrip van maar niet beperkt tot de kleur, afmetingen en scherminhoud van uw telefoon, zijn alleen bedoeld ter referentie. Het product kan er in werkelijkheid anders uitzien. Niets in deze handleiding houdt enige vorm van garantie in, expliciet of impliciet.

Veiligheidsinformatie

Dit hoofdstuk bevat belangrijke informatie over de bediening van uw apparaat. Het bevat ook informatie over hoe u het apparaat op een veilige manier kunt gebruiken. Lees deze informatie zorgvuldig door voordat u uw apparaat gebruikt.

Elektronisch apparaat

Gebruik uw apparaat niet waar het gebruik ervan verboden is. Gebruik het apparaat niet als dit gevaar voor of inverstoring met andere elektronische apparatuur veroorzaakt.

Interferentie met medische apparatuur

- Raadpleeg uw arts en de fabrikant van het apparaat om te bepalen of het gebruik van uw telefoon het gebruik van uw medische apparaat negatief kan beïnvloeden.
- Volg de regels en voorschriften van ziekenhuizen en gezondheidsinrichtingen. Gebruik het apparaat niet waar dit niet is toegestaan.
- Bepaalde draadloze apparaten kunnen de werking van gehoorapparaten of pacemakers beïnvloeden. Raadpleeg uw provider voor meer informatie.
- Fabrikanten van pacemakers bevelen aan dat een maximum afstand van 15 cm moet worden aangehouden tussen het apparaat en de pacemaker om mogelijke storingen in de pacemaker te voorkomen. Als u een pacemaker gebruikt, houdt u het apparaat aan tegenoverliggende kant van de pacemaker en draagt u het apparaat niet in uw borstzak.

Bescherming van uw gehoor tijdens het gebruik van een hoofdtelefoon



- Luister ter voorkoming van mogelijke gehoorschade niet gedurende langere tijd bij een hoog volume.
- Het gebruik van een hoofdtelefoon op hoog volume kan uw gehoor beschadigen. Om dit risico te

verminderen, verlaagt u het volume van de hoofdtelefoon tot een veilig en comfortabel niveau.

- Blootstelling aan hoge volumes tijdens het rijden kan voor afleiding zorgen en het risico op ongelukken vergroten.

Potentieel explosieve omgevingen

Schakel uw telefoon uit in elk gebied met een potentieel explosieve atmosfeer en zorg ervoor dat u voldoet aan alle tekens en instructies. Gebieden die een potentieel explosieve atmosfeer hebben omvatten de gebieden waar u normaliter gevraagd zou worden uw auto uit te schakelen. Vonken in dergelijke gebieden kunnen een explosie of brand veroorzaken, wat resulteert in lichamelijk letsel of zelfs de dood. Schakel het apparaat niet aan bij tankstations. Houd u aan alle beperkingen voor het gebruik van radio-apparatuur bij benzinstations, opslag en distributiegebieden en chemische fabrieken. Houd uzelf tevens aan de beperkingen in gebieden waar explosiehandelingen in uitvoering zijn. Vooraleer het apparaat te gebruiken kijkt u uit voor gebieden die een mogelijk explosieve atmosfeer hebben en die vaak, maar niet altijd, hiervoor gemarkeerd zijn. Dergelijke locaties omvatten gebieden onder het dek van een boot, chemische transport- of opslagfaciliteiten en gebieden waar de lucht chemicaliën of deeltjes bevat zoals grein, stof of metaalpoeder. Vraag de producenten van voertuigen die vloeibaar petroleumgas gebruiken (zoals propaan of butaan) of dit apparaat veilig gebruikt kan worden in hun nabijheid.

Veiligheid in het verkeer

- Leef de plaatselijke wetgeving en regelgeving na wanneer u het apparaat gebruikt. Om het risico op ongelukken te verminderen, mag u uw draadloze apparaat niet tijdens het rijden gebruiken.
- Concentreer u op het rijden. Uw eerste verantwoordelijkheid is om veilig te rijden.
- Houd het apparaat niet in de hand tijdens het rijden. Gebruik handsfree accessoires.
- Wanneer u een oproep moet plaatsen of beantwoorden, parkeert u uw voertuig eerst veilig langs de weg.
- RF-signalen kunnen de elektronische systemen van motorvoertuigen beïnvloeden. Voor meer informatie raadpleegt u de fabrikant van het voertuig.
- Plaats het apparaat niet boven de airbag of in de zone waar de airbag wordt geactiveerd. Anders kunt u letsel oplopen vanwege de sterke kracht waarmee de airbag wordt opgeblazen.
- Gebruik uw apparaat niet tijdens de vlucht in een vliegtuig of vlak voor het opstijgen. Het gebruik van draadloze apparaten in een vliegtuig kan draadloze netwerken ontregelen, een gevaar vormen voor de werking van het vliegtuig of illegaal zijn.

Werkomgeving

- Vermijd stoffige, vochtige of vuile omgevingen. Vermijd magnetische velden. Gebruik van het apparaat in dergelijke omgevingen kan leiden tot storingen in het circuit.

- Gebruik uw apparaat niet tijdens onweer om het te beschermen tegen eventuele bliksemgevaar.
- De ideale werktemperatuur ligt tussen de 0°C en 35°C. De ideale opslagtemperatuur ligt tussen de -20°C en 70°C. Extreme hitte of kou kan uw apparaat of accessoires beschadigen.
- Stel uw apparaat niet gedurende langere tijd bloot aan direct zonlicht (zoals op het dashboard van een auto).
- Om uw apparaat of accessoires te beschermen tegen brand of elektrische schokken, vermijdt u regen en vocht.
- Houd het apparaat weg van hitte- en vuurbronnen, zoals een kachel, magnetron, kookplaat, waterkoker, radiator of kaars.
- Plaats geen scherpe metalen objecten, zoals pinnen, nabij de oortelefoon of luidspreker. De oortelefoon kan deze voorwerpen aantrekken, wat kan leiden tot letsel.
- Staak het gebruik van uw apparaat of apps een tijdje als het apparaat oververhit is geraakt. Als de huid langere tijd aan een oververhit apparaat wordt blootgesteld, kunnen er kleine verbrandingssymptomen, zoals rode plekken en een donkerdere pigmentatie, optreden.
- Richt de cameraflits van uw apparaat niet rechtstreeks in de ogen van personen of huisdieren. Anders kan er een tijdelijk verlies van het gezichtsvermogen of schade aan de ogen optreden.

- Raak de antenne van het apparaat niet aan. Anders kan de kwaliteit van de communicatie achteruit gaan.
- Laat kinderen of huisdieren niet in de batterij of accessoires bijten of eraan zuigen. Dat kan leiden tot schade of explosie.
- Houdt u aan plaatselijke wetten en voorschriften en respecteer de privacy en wettelijke rechten van anderen.

Veiligheid van kinderen

- Neem alle voorzorgsmaatregelen in acht met betrekking tot de veiligheid van kinderen. Kinderen laten spelen met het apparaat of de accessoires kan gevaarlijk zijn. Het apparaat bevat afneembare onderdelen die tot verstikkingsgevaar kunnen leiden. Uit de buurt van kinderen houden.
- Het apparaat en de accessoires zijn niet bedoeld voor gebruik door kinderen. Kinderen mogen het apparaat alleen gebruiken onder toezicht van een volwassene.

Accessoires

- Het gebruik van een niet goedgekeurde of niet compatibele voedingsadapter, oplader of batterij kan brand, explosies of andere gevaren tot gevolg hebben.
- Kies alleen accessoires die door de fabrikant zijn goedgekeurd voor gebruik met dit model. Het gebruik van andere typen accessoires kan de garantie ongeldig maken, in strijd zijn met lokale

voorschriften en wetten, en kan gevaarlijk zijn. Neem contact op met uw verkooppunt voor informatie over de beschikbaarheid van goedgekeurde accessoires bij u in de buurt.

Veilig gebruik van de oplader

- Voor aansluiting van apparaten op het stroomnet moet de wandcontactdoos dicht bij de apparaten worden geïnstalleerd en goed toegankelijk zijn.
- Neem de oplader uit het stopcontact en het apparaat als de oplader niet wordt gebruikt.
- Laat de oplader niet vallen en laat de oplader tegen niets stoten.
- Als de voedingskabel beschadigd is (bijvoorbeeld als de draad blootligt of de kabel gebroken is) of als de stekker loszit, mag u die absoluut niet meer gebruiken. Aanhoudend gebruik kan leiden tot elektrische schokken, kortsluiting of brand.
- Raak het netsnoer niet aan met natte handen en trek niet aan het netsnoer om de oplader los te koppelen.
- Raak het apparaat of de oplader niet aan met natte handen. Dat kan leiden tot kortsluiting, storingen of elektrische schokken.
- Als uw oplader blootgesteld is geweest aan water, andere vloeistoffen of overmatig vocht, brengt u de oplader naar een geautoriseerd servicecentrum voor inspectie.
- Controleer of de oplader voldoet aan de vereisten van clause 2.5 in IEC60950-1/EN60950-1/

UL60950-1 en is getest en goedgekeurd volgens de nationale of plaatselijke normen.

- Sluit het apparaat uitsluitend aan op producten die het USB-IF-logo hebben of die het USB-IF-nalevingsprogramma hebben voltooid.

Veilig batterijgebruik

- Breng de batterijpolen niet in contact met geleiders, zoals sleutels, sieraden of andere metalen materialen. Dat kan kortsluiting van de batterij en letsel of brandwonden veroorzaken.
- Houd de batterij uit de buurt van extreme hitte en direct zonlicht. Plaats de batterij niet in of op warmteapparaten, zoals magnetrons, kookplaten of radiatoren. De batterij kan bij oververhitting exploderen.
- Probeer de batterij niet aan te passen of opnieuw te produceren, steek er geen vreemde voorwerpen in, dompel de batterij niet onder in water en stel de batterij niet bloot aan water of andere vloeistoffen. Dat kan leiden tot brand, explosie of andere gevaren.
- Als de batterij lekt, moet u ervoor zorgen dat de elektrolyt niet in direct contact komt met uw huid of ogen. Als de elektrolyt op uw huid komt of in uw ogen spat, moet u onmiddellijk met schoon water spoelen en een arts raadplegen.
- Mocht de batterij vervormen, verkleuren of oververhit raken tijdens het opladen of tijdens opslag, staak dan onmiddellijk het gebruik van het apparaat en verwijder de batterij. Aanhoudend

gebruik kan leiden tot batterijlekkage, brand of explosie.

- Breng de batterijen niet in contact met vuur, omdat ze dan kunnen ontploffen. Beschadigde batterijen kunnen ook exploderen.
- Voer gebruikte batterijen af in overeenstemming met de plaatselijke voorschriften. Onjuist gebruik van de batterij kan leiden tot brand, explosie of andere gevaren.
- Laat kinderen of huisdieren niet in de batterij bijten of eraan zuigen. Dat kan leiden tot schade of explosie.
- De batterij niet platdrukken of doorboren en de batterij niet blootstellen aan een hoge externe druk. Dat kan tot kortsluiting of oververhitting leiden.
- Laat het apparaat of de batterij niet vallen. Als u apparaat of de batterij laat gevallen, met name op een hard oppervlak, kan de batterij beschadigd raken.
- Als de standbytijd van het apparaat aanzienlijk korter wordt, dient u de batterij te vervangen.
- Het apparaat heeft een ingebouwde batterij die niet kan worden verwijderd. Probeer de batterij niet te verwijderen, anders kan het apparaat beschadigd raken. Om de batterij te vervangen, brengt u het apparaat naar een geautoriseerd servicecentrum.

Reiniging en onderhoud

- Houd het apparaat en de accessoires droog. Probeer het apparaat niet te drogen met een externe warmtebron, zoals een magnetron of haardroger.
- Stel uw apparaat of accessoires niet bloot aan extreme hitte of kou. Dergelijke omgevingen kunnen een juiste werking verhinderen en kunnen leiden tot brand of een explosie.
- Voorkom botsingen; deze kunnen leiden tot apparaatstoringen, oververhitting of een explosie.
- Voordat u het apparaat reinigt of onderhoud aan het apparaat pleegt, stopt u het gebruik ervan, sluit u alle apps en verwijdert u alle aangesloten kabels.
- Gebruik geen chemische schoonmaakmiddelen, poeders of andere chemische middelen (zoals alcohol en benzine) om het apparaat of de accessoires schoon te maken. Deze stoffen kunnen schade veroorzaken aan onderdelen of brandgevaar opleveren. Gebruik een schone, zachte en droge doek om de behuizing van het apparaat en de accessoires te reinigen.
- Plaats geen kaarten met magneetstrips, zoals een creditcard of telefoonkaart, gedurende langere tijd in de buurt van het apparaat. Anders kan de magneetstrip van de kaart beschadigd worden.
- Ontmantel of produceer het apparaat of de accessoires niet opnieuw. Dit maakt de garantie ongeldig en ontheft de fabrikant van alle aansprakelijkheid wegens schade. Neem in het geval

van schade contact op met een geautoriseerd servicecentrum voor assistentie of reparatie.

- Als het apparaat defect raakt tijdens een botsing, staakt u het gebruik van het apparaat onmiddellijk. Raak de defecte onderdelen niet aan en probeer ze niet te verwijderen. Neem onmiddellijk contact op met een geautoriseerd servicecentrum.

Noodoproepen

De beschikbaarheid van noodoproepen is afhankelijk van de kwaliteit van uw mobiele netwerk, het beleid van uw provider en plaatselijke wetten en voorschriften.

Vertrouw in een noodsituatie voor essentiële communicatie, zoals medische spoedgevallen, nooit uitsluitend op uw apparaat.

Informatie over verwijdering en recycling



Dit symbool (met of zonder volle streep) op het apparaat, de batterijen (indien meegeleverd) en/of de verpakking, geeft aan dat het apparaat en de elektrische accessoires (bijvoorbeeld een

hoofdtelefoon, adapter of kabel) en de batterijen niet samen met het huishoudelijke afval mogen worden weggegooid. Deze items mogen niet worden weggegooid als ongesorteerd gemeentelijk afval en moeten worden ingeleverd bij een inzamelpunt voor recycling of voor correcte verwijdering.

Voor meer informatie over de recycling van het apparaat of de batterij neemt u contact op met uw plaatselijke gemeente, uw inzamelpunt voor huishoudelijk afval of de winkel waar u het apparaat hebt gekocht.

Het weggooien van het apparaat en de batterijen (indien meegeleverd) valt onder de herziene AEEA-richtlijn (2012/19/EU) en de Batterijrichtlijn (2006/66/EG). Het scheiden van AEEA en batterijen van ander afval heeft tot doel het minimaliseren van het potentiële negatieve milieu-effect van elke mogelijk aanwezige gevaarlijke stof op de gezondheid van mensen.

Beperking van gevaarlijke stoffen

Dit apparaat voldoet aan de REACH-voorschriften [Voorschrift (EG) Nr. 1907/2006] en de Herziene RoHS-richtlijn (Richtlijn 2011/65/EU). De batterijen (indien meegeleverd) voldoen aan de Batterijrichtlijn (Richtlijn 2006/66/EG). Voor actuele informatie over REACH- en RoHS-naleving bezoekt u de website <http://www.hihonor.com>.

Naleving van de EU-wetgeving

Gebruik op het lichaam

Het apparaat voldoet aan de RF-specificatie indien gebruikt nabij het oor of op een afstand van 1,5 cm van het lichaam. Zorg ervoor dat de accessoires van het apparaat, zoals een apparaathoes en -houder, geen metalen onderdelen bevatten. Houd het toestel weg van uw lichaam om aan deze afstandseis te voldoen.

Informatie over certificaten (SAR)

Dit apparaat voldoet aan de richtlijnen voor blootstelling aan radiogolven.

Uw apparaat verzendt en ontvangt radiosignalen met een laag vermogen. Het apparaat is ontwikkeld om de limieten voor blootstelling aan radiogolven niet te overschrijden die zijn aanbevolen door internationale

richtlijnen. Deze richtlijnen zijn ontwikkeld door de ICNIRP (International Commission on Non-Ionizing Radiation Protection), een onafhankelijke wetenschappelijke organisatie, en bevatten veiligheidsmaatregelen om de veiligheid van alle personen te waarborgen, ongeacht hun leeftijd en gezondheidstoestand.

De meeteenheid voor de hoeveelheid radiofrequentie-energie die door het lichaam wordt geabsorbeerd tijdens het gebruik van een apparaat is SAR (Specific Absorption Rate). De SAR-waarde wordt bepaald door het hoogste gecertificeerde energieniveau gemeten in laboratoria, maar tijdens het gebruik ligt de werkelijke SAR-waarde ver beneden deze waarde. Dit komt doordat het apparaat is ontworpen om de minimaal benodigde hoeveelheid stroom te gebruiken om het netwerk te bereiken.

De door Europa aangenomen SAR-limiet is 2,0 W/kg gemiddeld per 10 gram lichaamsweefsel en de hoogste SAR-waarde van dit apparaat voldoet aan deze limiet. De hoogste gerapporteerde SAR-waarde voor dit type apparaat bij testen op het oor bedraagt 0,284 W/kg en op het lichaam gedragen 0,464 W/kg.

Verklaring

Hierbij verklaart Huawei Technologies Co., Ltd. dat dit apparaat voldoet aan de essentiële vereisten en andere relevante bepalingen van Richtlijn 1999/5/EG en Richtlijn 2011/65/EU.

Voor de verklaring van conformiteit bezoekt u de website <http://www.hihonor.com>.

De volgende markering is op het product aangebracht:

CE 0197 

Dit apparaat mag in alle lidstaten van de EU worden gebruikt.

Houdt u aan de nationale en plaatselijke voorschriften van de locatie waar het apparaat wordt gebruikt.

Dit apparaat kan beperkt zijn in het gebruik, afhankelijk van het lokale netwerk.

Beperkingen op de 2,4 GHz-band:

Noorwegen: Dit hoofdstuk is niet van toepassing op het geografische gebied binnen een straal van 20 km van het centrum van Ny-Ålesund.

Beperkingen op de 5 GHz-band:

De WLAN-functie van dit apparaat is uitsluitend beperkt tot gebruik binnenshuis bij werking in het frequentiebereik 5150 tot 5350 MHz.

Persoonlijke informatie en gegevensbeveiliging

Het gebruik van bepaalde functies of toepassingen van derden op uw toestel kan tot gevolg hebben dat uw persoonlijke informatie en gegevens verloren gaan of beschikbaar worden voor anderen. Er worden verschillende maatregelen aanbevolen om u te helpen uw persoonlijk en vertrouwelijke informatie te beschermen.

- Bewaar uw toestel op een veilige plaats om te verhinderen dat onbevoegden er gebruik van maken.

- Schakel de schermvergrendeling van uw toestel in en creëer een wachtwoord of ontgrendelpatroon om het te openen.
- Maak regelmatig backups van persoonlijke informatie op uw USIM/SIM- kaart, geheugenkaart of toestel. Indien u een ander toestel aankoopt, zorg ervoor dat alle persoonlijke informatie van uw oude toestel verwijderd is.
- Indien u zich zorgen maakt over virussen bij het ontvangen van berichten of e-mails van een vreemde, verwijder deze dan zonder ze te openen.
- Indien u uw toestel gebruikt om op het internet te surfen, vermijd dan websites die een risico kunnen vormen, om diefstal van uw persoonlijke gegevens te verhinderen.
- Indien u gebruik maakt van diensten zoals WiFi of Bluetooth, stel dan voor deze diensten wachtwoorden in om onbevoegde toegang te verhinderen. Wanneer deze diensten niet gebruikt worden, schakel ze uit.
- Installeer of upgrade beveiligingssoftware en voer regelmatig een virusscan uit.
- Zorg ervoor dat u toepassingen van derden via een erkende bron aankoopt. Gedownloade toepassingen van derden moeten gescand worden op virussen.
- Installeer beveiligingssoftware of patches uitgegeven door Huawei of toepassingproviders (derden).

- Bepaalde toepassingen vereisen en verzenden plaatselijke informatie. Daarom kan een derde uw plaatselijke gegevens delen.
- Uw toestel levert mogelijk detectie- en diagnostische informatie aan toepassingproviders (derden). Deze gebruiken deze informatie om hun producten en diensten te verbeteren.

Juridische kennisgeving

Copyright © Huawei Technologies Co., Ltd. 2015. Alle rechten voorbehouden.

Het is niet toegestaan onderdelen van deze handleiding in enige vorm of op enige manier te reproduceren of verzenden zonder voorafgaande schriftelijke toestemming van Huawei Technologies Co., Ltd. en haar partners ("Huawei").

Het product dat in deze handleiding wordt beschreven, kan software van Huawei en mogelijke licentiegevers bevatten waarop het auteursrecht van toepassing is. Klanten mogen deze software op geen enkele wijze reproduceren, distribueren, wijzigen, decompileren, ontmantelen, decoderen, uitpakken, aan reverse engineering onderwerpen, leasen, toewijzen of in sublicentie geven, behalve indien dergelijke restricties toegelaten zijn door de toepasselijke wetgeving of indien dergelijke handelingen goedgekeurd werden door de respectieve eigenaars van auteursrechten.

Handelsmerken en vergunningen



HONOR, HUAWEI, HUAWEI en  zijn

handelsmerken of gedeponeerde handelsmerken van Huawei Technologies Co., Ltd.

Android™ is een handelsmerk van Google Inc.

LTE is een handelsmerk van ETSI.

Het woordmerk *Bluetooth*® en de bijbehorende logo's zijn gedeponeerde handelsmerken van *Bluetooth SIG, Inc.* en elk gebruik van dergelijke merken door Huawei Technologies Co., Ltd. vindt plaats onder licentie.

Overige handelsmerken, product-, dienst- en bedrijfsnamen die worden genoemd, kunnen het eigendom zijn van hun respectieve eigenaren.

Kennisgeving

Sommige functies van het product en de bijbehorende accessoires zoals in dit document beschreven, zijn afhankelijk van de geïnstalleerde software, mogelijkheden en instellingen van het lokale netwerk en kunnen daarom mogelijk niet geactiveerd worden of kunnen beperkt worden door plaatselijke telefoonmaatschappijen of aanbieders van netwerkdiensten.

Daardoor komen de beschrijvingen in dit document wellicht niet exact overeen met het product dat of de accessoires die u hebt aangeschaft.

Huawei behoudt zich het recht voor om de informatie of specificaties in deze handleiding zonder voorafgaande kennisgeving en zonder enige aansprakelijkheid te wijzigen.

Verklaring met betrekking tot software van derden

Huawei is niet de eigenaar van het intellectuele eigendom van de software en toepassingen van derden die met dit product worden meegeleverd. Daarom biedt Huawei geen enkele garantie voor software en toepassingen van derden. Huawei biedt geen ondersteuning aan klanten die van deze software en applicaties van derden gebruik maken en is niet verantwoordelijk of aansprakelijk voor de functies van de software en toepassingen van derden.

Toepassingen en diensten van derden kunnen op elk gewenst moment worden onderbroken of beëindigd en Huawei geeft geen garantie af met betrekking tot de beschikbaarheid van enige inhoud of dienst. Inhoud en diensten worden door derden aangeboden via netwerk- of overdrachtsprogramma's die niet onder de controle van Huawei vallen. Voor zover toestaan door het toepasselijk recht, wordt nadrukkelijk gesteld dat Huawei geen vergoeding biedt of aansprakelijk kan worden gesteld voor diensten die door derden worden verleend, noch voor de onderbreking of beëindiging van de inhoud of diensten van derden.

Huawei kan niet aansprakelijk worden gesteld voor de wettelijkheid, kwaliteit of enige andere aspecten van software die op dit product is geïnstalleerd, of voor werk van derden dat wordt geïnstalleerd of gedownload in welke vorm dan ook, met inbegrip van maar niet beperkt tot teksten, afbeeldingen, video's of software etc. Klanten dragen het risico voor alle effecten, waaronder incompatibiliteit tussen de software en dit product, die

het gevolg zijn van het installeren van software of het uploaden of downloaden van het werk van derden. Dit product is gebaseerd op het open-sourceplatform Android™. Huawei heeft de nodige wijzigingen aan het platform aangebracht. Daarom ondersteunt dit product mogelijk niet alle functies die worden ondersteund door het standaard Android-platform of is het mogelijk niet compatibel met software van derden. Huawei biedt geen enkele garantie en verklaring af in verband met een dergelijke compatibiliteit en sluit elke vorm van aansprakelijkheid in verband daarmee uitdrukkelijk uit.

UITSLUITING VAN GARANTIE

ALLE INHOUD VAN DEZE HANDLEIDING WORDT ALS ZODANIG AANGEBODEN. BEHALVE INDIEN VEREIST DOOR TOEPASSELIJK RECHT, WORDEN ER GEEN GARANTIES AFGEGEVEN VAN WELKE AARD DAN OOK, HETZIJ EXPLICIET OF IMPLICIET, MET INBEGRIJ VAN MAAR NIET BEPERKT TOT GARANTIES VAN HANDELBAARHEID EN GESCHIKTHEID VOOR EEN BEPAALD DOEL, MET BETREKKING TOT DE NAUWKEURIGHEID, BETROUWBAARHEID OF INHOUD VAN DEZE HANDLEIDING.

VOOR ZOVER MAXIMAAL IS TOEGESTAAN OP GROND VAN HET TOEPASSELIJK RECHT KAN HUAWEI IN GEEN GEVAL AANSPRAKELIJK GESTELD WORDEN VOOR EVENTUELE SPECIALE, INCIDENTELE, INDIRECTE GEVOLGSCHADE, VERLOREN WINSTEN, BEDRIJFSACTIVITEITEN, INKOMSTEN, GEGEVENS, GOODWILL OF VERWACHTE BESPARINGEN.

DE MAXIMALE AANSPRAKELIJKHEID (DEZE BEPERKING IS NIET VAN TOEPASSING OP DE AANSPRAKELIJKHEID

VOOR PERSOONLIJK LETSEL TOT DE MATE WAARIN DE WET EEN DERGELIJKE BEPERKING VERBIEDT) VAN HUAWEI DIE VOORTVLOEIT UIT HET GEBRUIK VAN HET PRODUCT, ZOALS BESCHREVEN IN DEZE HANDLEIDING ZAL WORDEN BEPERKT TOT DE HOOGTE VAN HET DOOR DE KLANTEN BETAALDE BEDRAG VOOR DE AANSCHAF VAN DIT PRODUCT.

Import- en exportregelgeving

Klanten moeten alle toepasselijke export- en importwetten en -regelgeving naleven en zijn verantwoordelijk voor het verkrijgen van alle noodzakelijke overheidsvergunningen en licenties om het product dat vermeld wordt in deze handleiding, inclusief de software en de technische gegevens, te exporteren, te herexporteren of te importeren.

Privacybeleid

Om meer inzicht te krijgen in de manier waarop wij uw persoonlijke gegevens beschermen, raadpleegt u ons privacybeleid via <http://www.hihonor.com>.



The N-Mark is a trademark or registered trademark of NFC Forum, Inc. in the United States and in other countries.



For DTS patents, see <http://patents.dts.com>. Manufactured under license from DTS Licensing Limited. DTS, the Symbol, & DTS and the Symbol together are registered trademarks, and DTS Sound is a trademark of DTS, Inc. © DTS, Inc. All Rights Reserved.

Please visit

<http://www.hihonor.com> for recent updated hotline and email address in your country or region.

Model: PE-TL10



31010TYK_01