



User Manual

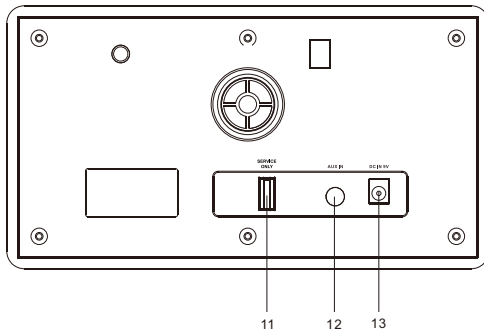
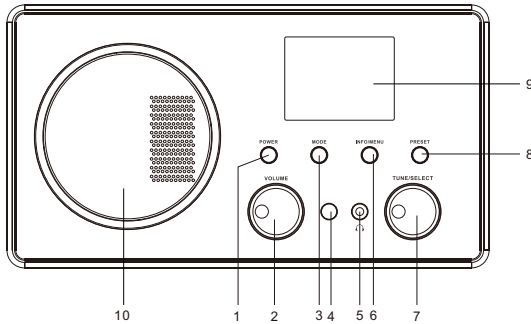
Wooden DAB Radio



Model No.: DB-280C

Please read this user manual carefully before using the receiver

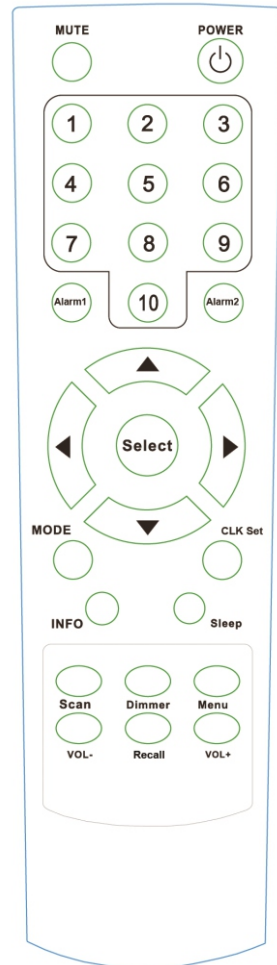
Location of Controls



- 1. Power**
Press the button to go to standby or turn the radio on.
- 2. Volume**
Rotate the knob to increase or decrease the volume.
- 3. Mode**
Press the Mode button and use the **<Tune/Select>** rotary knob to choose the mode DAB, FM, Aux-in and Bluetooth
- 4. Infrared Sensor**
- 5. Earphone jack**
- 6. Info/Menu**
Long press the button to enter the main menu, press it briefly to cycle through the information broadcasted by the radio station
- 7. Tune/Select**
Press to confirm; or rotate the knob to browse the item from the list
- 8. Preset**
Long press the button to save the preset, short press the button to recall
- 9. 2.4" TFT display**
- 10. Speaker**
- 11. Service Only**
Reserved for service use
- 12. Aux-in jack**
- 13. DC in jack**

Remote Control

1. **Power:** Turn on radio from Standby / back to Standby mode
2. **Mute:** Silent on/off
3. **Mode:** Choose the mode of radio, DAB/FM/Aux-in/Bluetooth
4. **Scan:** Press to scan DAB or FM station
5. **Info:** Press to cycle through the information broadcasted by the radio channel
6. **1--10:** Numeric preset buttons, long press to save and short press to recall
7. **Alarm1/2:** Press it to set the alarm
8. **Menu:** Enter main menu
9. **▲ / ▼:** Browse up/down on the item list
10. **◀:** Press it to scroll the previous station or frequency or option
11. **▶:** Press it to scroll the next station or frequency or option
12. **Select:** Press it to confirm the selection
13. **CLK Set:** Press to manual set the clock
14. **Sleep:** Press to set the sleep timer
15. **Dimmer:** There are 3 brightness levels to choose. Press this button to set the level you want when radio is playing or on Standby
16. **Recall:** Press to see the list of presets
17. **Vol+:** Volume up
18. **Vol-:** Volume down



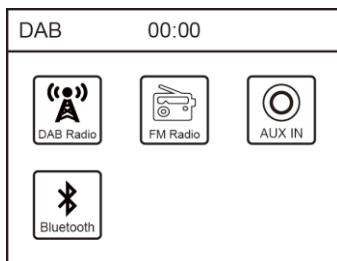
Switch your radio on the first time

1. Take out the power adaptor supplied with the radio. Connect one end of the adaptor to the DC IN socket located at the rear side of the radio and the other end to the wall outlet.

Caution: Use only the adaptor supplied with the radio. Connecting a power supply with different rating will cause permanent damage to the radio and may be hazardous.

2. Extend the telescopic antenna as far as it can go.

3. The display will light up and enter into the mode selection menu automatically:



4. Choose the mode you would like to enjoy.

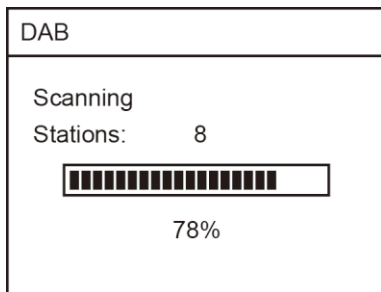
Rotate the **<Tune/Select>** knob on unit or press the **<Left>** or **<Right>** button on remote control for selection. Push **<Tune/Select>** knob or **<Select>** button on remote control to confirm. The radio will go to the mode you select.

Note:

Always make sure the telescopic antenna is fully extended to ensure the maximum signal strength and the best possible sound quality.

DAB mode

Choose DAB mode on the menu, the radio will start scanning all the available radio stations as follow:



It will pop out the scanned station list. Use the **<Tune/Select>** knob or **<Up>** **<Down>** with **<Select>** key on remote to select the radio station.

When a radio station is playing and you want to choose others to play, rotate the **<Tune/Select>** knob or Press **<Left>** or **<Right>** button to enter into the station list.

DAB Slideshow

The radio receives images transmitted by the radio broadcaster if any.

To enlarge the images to full screen size, press the **<Tune/Select>** rotary knob or **<Select>** on remote under the normal playing screen. If there are several images received, it will display in the mode of slideshow.

Press the **<Tune/Select>** or **<Select>** again to resume the playing screen.

FM mode

Select the FM mode, press and hold the **<Tune/Select>** to seek the next available station or press the scan button on remote.

To manual adjust the frequency , press **◀** or **▶** button on remote control or rotate the **<Tune/Select>** knob to tune the frequency in the step of 0.05MHz.

Aux-In mode

You can listen to the music stored in other audio device or smart phone on the radio, through the connection to the 3.5 mm aux-in jack on the rear side. Use the cable with both ends in 3.5 mm pin, one end to the aux-in jack on the radio, the other end to the earphone jack on the audio device or if it has line out socket.

Bluetooth mode

1. The radio can receive and play music streamed by other Bluetooth device. Choose Bluetooth mode on the radio, it will be discoverable on other Bluetooth devices.
2. Turn on Bluetooth on your device and look up the device named “**DAB DB-280C**” from the list. Select it to start pairing.
3. If the connection is successful, it will show “**Connected**” on your Bluetooth device list.
4. You can start playing music from your Bluetooth device now.

Volume control

Rotate the **<Volume>** rotary knob to adjust the volume, or the **<Vol+/Vol->** on the remote.

Preset a station

Your radio can store up to 10 DAB stations and 10 FM stations in its preset memories for instant access to your favorite stations. You can preset the station by remote control as well.

1. Tune your radio to the station that you wish to preset.
2. Press and hold **<Preset>** button on the radio, it will pop up the empty preset list. Select the preset number you want to save by using the **<Tune/Select>** knob, press the **<Tune/Select>** knob to confirm. It will show the preset number is saved. You can use the remote control to do the preset, press and hold the numeric buttons you want to save it as preset.

Recall a station preset

Briefly press the **<Preset>** button on the unit, the preset list will pop up. Rotate the **<Tune/Select>** knob to find the station you want to listen, then press **<Tune/Select>** knob to recall the station. You can use the remote control to recall the preset, simply press the numeric button to access direct a specific station, or press the **<Recall>** button to display the preset list.

Note

1. If there is already an existing DAB or FM station stored under a preset, it will be overwritten when you save a new station.

2. The DAB presets will not overwrite the FM station presets.

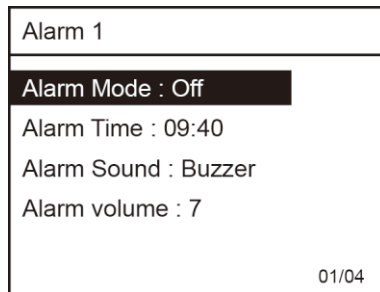
Alarm Setting

There are 2 alarm settings on the radio.

On the radio, press and hold the **<INFO/MENU>** button to enter the main menu and choose Alarm.

On the remote control, press **<Alarm1>** or **<Alarm2>** button then press **<Select>** key to enter the setting.

The display will show as follow:



Press **▲** or **▼** to choose setting the alarm condition, then press **<Select>** key to enter the setting.

Alarm Mode: Press **▲** or **▼** key to choose the alarm repeating schedule, there are Off, Daily, Once, Weekend, Weekday for your choice, press **<Select>** key again to confirm.

Alarm Time: Press **▲** or **▼** key to input the hour then press **<Select>** to confirm. Do the same to set the minute and press **<Select>** to confirm.

Alarm sound: Press **▲** or **▼** to choose the sound source from Beep/DAB/FM, then press **<Select>** key to confirm.

Alarm Volume: Press **◀** or **▶** to choose the alarm volume level, then press **<Select>** key to confirm.

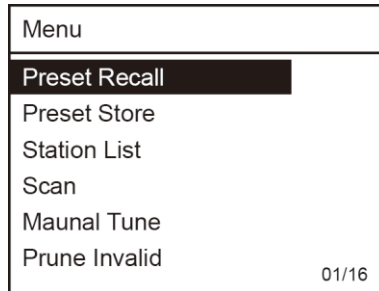
After all the options are set, press **<Alarm1>** or **<Alarm2>** on the remote or **<Menu>** button on the unit to confirm and exit the setting.

Snooze

When the alarm sounds, press **<Tune/Select>** knob on the radio or press **<Select>** on the remote control to delay the alarm for 5 minutes. To cancel the Alarm or Snooze, simply press **<Power>** button or **<Mode>** button on the radio

Main Menu of DAB mode

When you listen to DAB radio station, press the **<Menu>** key on the remote control, or press and hold the **<INFO/MENU>** to enter the main menu as follow:



Please note if there is not any operation in 1 min, the radio will return to last playing mode.

Preset Recall

Press to view the preset list.

Preset Store

Press to store the radio station.

Station List

Press to see the DAB radio station list.

Scan

Press to scan for DAB radio stations.

Manual Tune

Press to enter the manual tune, then you can choose the frequency from 5A to 13F and perform a scan in the available frequency manually.

Prune Invalid

Some DAB services may stop broadcasting or you may not be able to receive a station. Prune stations will delete the DAB stations from your station list that can no longer be received.

DRC

Dynamic Range Control (also known as DRC) can make quieter sounds easier to hear when your radio is used in a noisy environment. This function is only available for the DAB.

DRC Off – No compression

DRC High – Maximum compression

DRC Low – Medium compression

Setting the compression to maximum will "boost" the quiet sounds, whilst keeping the loudest sounds at their original level.

Station Order

You can choose different station order, such as Alphanumeric, Ensemble and valid.

Equalizer

User can set the radio with different EQs, such as Normal, Classic, Jazz, Pop, Rock, Flat, Movie and News.

Backlight

There are 3 brightness levels you can choose: High, Medium & Low.

1. Timeout: This option is used to set the period of time that you wish your display's backlight to remain lit when your radio is just playing without any operation is made.

The available options are: On /10sec /20sec /30sec /45sec /60sec /90sec /120 sec /180 sec. Select "On" will force your radio's backlight to remain on constantly. If you select a specific time interval, after the selected time period has lapsed the display will dim down.

2. Level: This option will determine how bright the display's backlight is lit while the radio is in operation of the functions. Whenever the radio is powered up from Standby, the backlight will adjust to the brightest level.

Backlight in Standby mode

The backlight will dim to the lowest level automatically in Standby. If you want to set the dimmer level in Standby, you have to choose "On" under the "Timeout" menu first. In Standby, press the **<Dimmer>** button on remote repeatedly to choose the level you desire.

Time/Date

There are 3 settings:

1. Set Time/Date: This allows the user to manually set the current Time and Date.

2. Set Format: This option will change the format of your clock to either 12 hour or 24 hour format.

3. Auto Update: This function will set the radio's time and date automatically with data sent along with the broadcast of either the FM or DAB radio station. You can choose "No Update" then the radio will not receive the time data.

Note:

The FM auto Time/Date update may not work in your area, so the DAB auto update option is recommended.

Alarm

There are two alarms can be set in the radio, please refer to the above Alarm section.

Sleep

It allows you to set the sleep timer. The radio will turn in Standby itself when the time is due.

You can choose 15 minutes, 30 minutes, 45 minutes, 60 minutes, 90 minutes and 2 Hours.

If you wish to cancel the sleep timer function, select "Off" on the menu.

You can press **<Sleep>** button on remote control to set the sleep timer as well.

Factory reset

You can reset the radio to the factory default any time. Once a reset has been done, all previous settings and preset will be erased and the radio will resume to the menu for mode selection.

Information

Press to see the firmware version.

Language

There are two languages available for the menu, English and Norwegian.

Main Menu of FM mode

While the radio is in FM mode, press and hold the **<INFO/MENU>** button on the radio or press the **<Menu>** key on remote control to enter the main menu. Most of the menus are the same as DAB mode, with the additional options as follow:

Scan setting

You can choose to scan "Strong station only".

Audio setting

You can set "Mono only".

Main Menu of Bluetooth & Aux-In mode

When the radio is in Bluetooth or Aux-In mode, press and hold the **<INFO/MENU>** button or pressing the **<Menu>** key on remote control to enter main menu. All of the menus have the same function as the setting in DAB mode.

Q & A

If you are experiencing problems with your DAB radio there are some quick and easy checks that you can do, which may help to solve the problem.

No DAB reception

- Please carry out "Factory Reset" on the radio and extend the antenna.
- Move the radio close to the window.

Radio reception is poor

- Please check that the aerial is extended for the maximum signal strength and improved reception.
- Check that you do not have other electrical equipment too close to your radio, causing interference.

No sound

- Adjust the volume using the Tune/Select knob.
- Please check that the mains power lead is connected at the back of the radio and the mains power wall socket is switched on.

Technical Specification

Model: DB-280C

Power input: 9V \square 0.8A

Power voltage: 100-240V~50/60Hz

Audio sockets: 3.5mm earphone jack, 3.5mm Aux-in jack

Unit Dimension: 220 x 120 x 110 mm (L x H x D)

Remark: Specification may vary without notice

What's included in the box

- * DAB Radio
- * Power adaptor
- * Remote control
- * User manual

WEEE and Recycling



The European laws do not allow any more the disposal of old or defective electric or electronic devices with the household waste. Return your product to a municipal collection point for recycling to dispose of it. This system is financed by the industry and the ensures environmentally responsible disposal and the recycling of valuable raw materials.

Ocean Digital Technology Ltd.
Flat B, 12/F., Yeung Yiu Chung (No.8) Ind. Bldg.,
20 Wang Hoi Road, Kowloon Bay,
Hong Kong
Email: support@oceandigital.com.hk