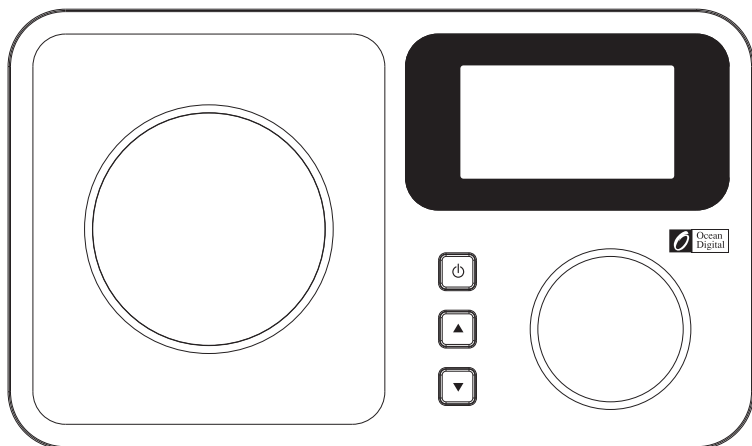




# User Manual

## DAB/FM Radio



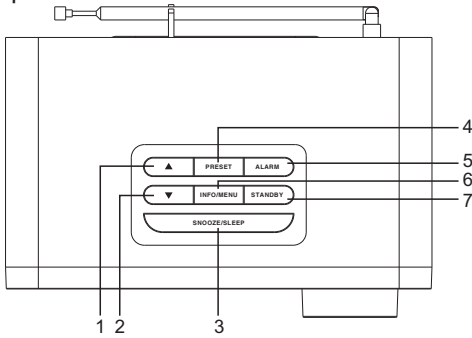
**DB-230B**

---

Please read this user manual carefully before using the receiver.

## Location of Controls

### Top



**1. ▲**  
Press the button to select the different DAB station under DAB mode or press and hold to quick scan the FM station in upward frequency under FM mode.

**2. ▼**  
Press the button to select the different DAB station under DAB mode or press and hold to quick scan the FM station in downward frequency under FM mode.

### 3. SNOOZE/SLEEP

Press the button to set the sleep timer, or press the button to snooze the alarm when alarm is active.

### 4. PRESET

Long press the button to store the preset, short press the button to do preset recall.

### 5. ALARM

Press to set Alarm 1 and Alarm 2.

### 6. INFO/MENU

Long press the button to enter main menu, press briefly to see the information under the station.

### 7. ⏻ / STANDBY

Press to go to standby or turn the radio on.

### 8. SPEAKER

### 9. LCD

### 10. ROTARY KNOB

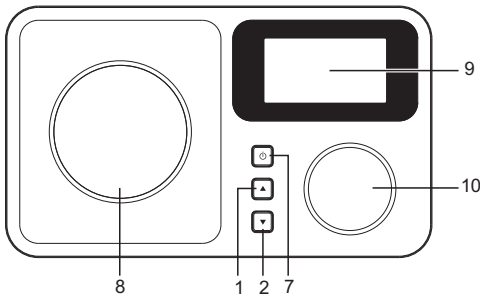
Rotate the knob to adjust the volume level; or press the knob as selection.

### 11. ANTENNA

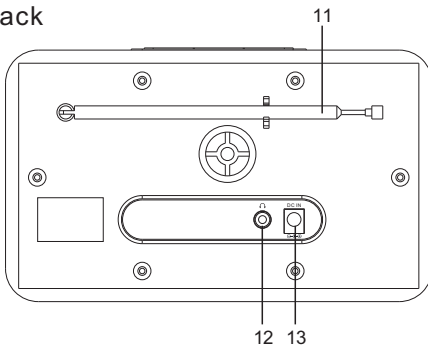
### 12. EARPHONE JACK

### 13. DC IN JACK (7.5V 800mA)

### Front



### Back



## Switching your radio on the first time

### Power Supply

1. Connect the power adaptor to the DC socket of the radio and plug in the other end to the wall socket.
2. Extend the Antenna as far as it can go.
3. The LCD backlight will light up. The radio will automatically show:



4. The first time you use this radio, it will start scanning the DAB radio stations automatically.



5. Once the scan is finished, it will display the number of radio stations received.

**Note:** Always make sure the antenna is extended as much as possible to get the maximum signal strength and the best possible sound quality.

6. To explore the stations that have been found, you need to press either the 'Up' or 'Down' keys, it will skip to the next found stations. When you find a radio station that you would like to listen to, then push down the Rotary knob to select the station. If you don't press the select key, the display will revert back to original station after 6 seconds.

## Memory

When you start up the radio again, the radio plays the same mode and same station as last listened.

## Adjusting the volume

Adjust the Rotary knob at the front to increase and Decrease the volume.

## Changing radio mode (DAB/FM/Bluetooth)

Select the DAB/FM/Bluetooth mode from the menu to select the DAB or FM or Bluetooth mode.

## DAB mode

### Main Menu

The Info/Menu button enables you to change some of the default settings of your radio, so that it works just the way you want it to. To enter into the main menu, hold and press the Info/Menu button for 2 seconds. It will enter into the main menu below. Whenever you want to exit the menu, please press the Info/Menu button.

### Full scan

It searches all stations available in your location; it may take 1-3minutes for the scan.

### Manual Tune

1. Using the manual tune feature, you can manually tune the receiver. This can help you when aligning your aerial or when adding stations that were missed while auto tuning.
2. Press the Up or Down button to scroll through the digital radio frequencies and select the frequency you want to fine tune.
3. Any new stations that are found will automatically added to the stored list of stations.
4. If you want to tune on the signal strength, select the frequency needs to be adjusted. An empty  will appear on the 2nd line of the display to indicate the minimum signal strength for acceptable listening. The row of solid rectangles indicate the actual signal strength that you are receiving. The stronger the signal, the further to the right the row of solid rectangles will be.



**Note: If only an empty  is displayed, you are not receiving any signal at all for that particular digital radio channel in your area.**

5. Adjust the position of the aerial on the radio, to obtain the maximum signal strength. Then press the Info/Menu button to exit, or wait for 6 seconds and it will exit to the last playing screen.

### DRC (Dynamic range control)

DRC can make quieter sounds easier to hear when your radio is used in a noisy environment.

There are 3 levels of compression:

DRC off: No compression, this is the default setting.

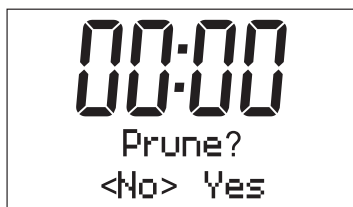
DRC high: Maximum compression;

DRC low: Medium compression;

### Prune

Some DAB services may stop broadcasting or you may not be able to receive a station. Prune stations will delete the DAB stations from your station list that can no longer be received.

1. Press and hold "Info/menu" button to enter the menu.
2. Press the Up or Down button until "Prune" appears.
3. Push down the Rotary knob to confirm the selection. The display will show as below.



Use the Up or Down button to choose "Yes", then it will remove the stations which are no longer broadcasting.

### **System**

The options below are allowed to change in setting to suit your requirement:

**Time:** You can set in 12/24hrs mode, Time/Date, date format and auto update time.

**SW version:** Choose this menu to see the Software version of the radio for future maintenance purpose.

**Factory Reset:** It can reset your radio and restore all the settings to the original factory settings.

**Languages:** There are 4 languages available to use for displaying on the menu, English, French, Italian and Deutsch.

**Inactive Standby:** The radio will go to standby mode automatically if there is no signal received, user can set the timeout interval in 2hours, 4hours, 6 hours or OFF.

**Backlight:** You can select the Timeout period of the Backlight at your choice, the backlight will dim down after it reaches to the selected time frame.

### **Display Symbols**

You may see the following symbols displayed alongside the station name, normally you will see these symbols under DAB mode;

"?" – When "it" appears at the front of the station, it means the station is not available /not active.

This will appear if you try to tune into a secondary service/station at a time when it's not transmitting

">>>" - When it appears after the station name. This is a primary station with secondary services

e.g., a sports station may add extra commentaries at certain times of the day;

"<<<" - When it appears before the station name, this is a secondary station.

### **Display Modes**

When listening to a station you can see different information released by the broadcaster. It will appear on the second line of the display. To do the operation, press the "info/Menu" button repeatedly to scroll through the different display options.

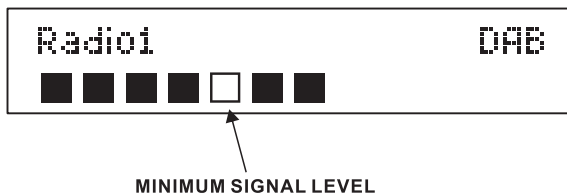
There are nine different types of information that are sent by the broadcaster as below:

### **Dynamic label segment(DLS)**

This is scrolling text information supplied by the broadcaster, information could be the name of an artist or music title, DJ's name, contact details for the radio station etc.

### **Signal Strength**

The slide bar indicates how strong the received signals are, the stronger the signal, the longer the bar will be from left to right.



If the signal drops below the fifth box (minimum signal level), then you may experience problems with the quality of radio.

### **Program type (PTY)**

It will display such as "Rock", "Pop", "Talk" or "News".

### **Multiplex name**

Display the broadcasting area and collection of radio stations on this frequency, e.g., BBC National DAB, Digital 1 network.

### **Channel and Frequency**

It shows the number of Channel and Frequency of the listening radio, e.g., 11C 220.352MHz. Where 11C is the channel and the frequency is 220.352MHz.

### **Signal Error**

The information provided gives details of the signal error rate shown as a number between 0-99. It will not be possible to satisfactorily listen to a radio station with a signal error rate of 30 or above, try adjusting the antenna or relocating your radio to improve reception.

### **Transmitting quality**

It shows the bit rate and format of the radio transmission, e.g., 64kbps/DAB+

### **Time information**

The real time supplied by the broadcaster;

### **Date information**

The current date supplied by the broadcaster.

## **FM Mode**

1. When you are in DAB mode, press and hold the "Info/Menu" button until the main menu appeared.
2. Select the FM from the menu.
3. Press and hold the Up button, your radio will scan in an upward direction and stop automatically when it finds a station.
4. The display will show the station name and it will display the RDS (Radio Data System) information if available. There are 6 display modes available:

Program type, Radio frequency, Radio text (display radio text messages), the current date and time and Audio setting. you can press Info/Menu to see different display modes.

**Note: If reception is still poor adjust the position of the aerial or try moving the radio to another location.**

### **Scan Setting**

Press and hold the Info/Menu button until the main menu appears.

You will find the “Scan Setting” on the menu. You can select “Strong stations” and “all stations” scan by using the up/down button, and confirm by push down the Rotary knob.

### **Audio Setting**

You can choose the “Forced mono” and “Stereo allowed” for the radio audio setting.

If a station is being received with a weak signal some hiss may be audible. To reduce the hiss noise, select the “Forced mono”.

### **System**

The system setting is same as the System under DAB mode. Please refer to the above instruction of System under DAB.

## **Bluetooth Mode**

You can turn on the Bluetooth function to pair with the mobile device such as mobile phone or tablet, to stream the music from your mobile device to play on the DAB Radio.

1. Turn on the Bluetooth on your mobile device
2. Switch the mode to Bluetooth on the DAB Radio.
3. Your mobile device will start discovering the DAB Radio, look up the list with the name called “DB-230B”, then select to connect the device.
4. You can then start streaming your music from your mobile device to the DAB Radio.

## **Storing radio stations**

1. Your radio can store up to 10 DAB and 10 FM stations in its preset memories for instant access to your favorite stations.
2. Tune your radio to the station that you wish to preset.
3. Hold and press “PRESET” to enter the preset menu, then press “Up” or “Down” button to choose the number you want to preset, push down the Rotary knob to select. The display will show “Preset X Stored”, where “X” is the number of the preset (1-10).

### **Note:**

**\*\*If there is already an existing DAB or FM station stored under a preset, it will be overwritten when you store the new station**

**\*\*When you store DAB radio station presets, these do not overwrite your FM station presets.**

## Recalling a stored station

Press the “PRESET” button, then the display will show “Preset recall”, press “Up” or “Down” button to select the station you want to listen, and then push down the Rotary knob to confirm to play.

*Note: If no station has been stored under the preset, the display will show “Preset Empty” and then revert to the previously selected station after a few seconds.*

## Alarm

There are 2 alarms available on the radio. Follow the following steps to set the alarm:

1. Turn on the radio, press the Alarm button once to set Alarm 1. If you want to set the Alarm 2, simply press the Alarm button one more time. Then select by pushing down the Rotary knob.
2. The display shows “On time 00:00”, use the Up or Down button to adjust the Hour and push down the rotary knob to confirm, then set the minute accordingly and confirm to move to next step.
3. The display shows “Duration”, it means how long you want to keep the alarm sounds over the time period. You can choose from 15, 30, 45, 60 and up to 90 minutes. Confirm and move to next step.
4. It comes to choose the “Sound source”, you can choose the alarm to activate in Buzzer, or Radio in DAB or FM.
5. Then select the option when you want the Alarm to activate, Daily/Once/Weekends/Weekdays.
6. The next setting is to select maximum sound level of the alarm you like. Adjust it by using the Up and Down key. The Alarm will start a lower sound level and increase gradually to your selected sound level.
7. Choose to turn ON or OFF of the Alarm by using the up or down key. Confirm the selection and it will display “Alarm Saved”. Then the Alarm setting is complete.

If you have already set the Alarm, you can set the Alarm ON or OFF under Standby. Press the Alarm button, then press the Alarm button repeatedly to cycle through the ON or OFF selection.

## Snooze / Alarm OFF

When the alarm is activated, you can press “SNOOZE/SLEEP” to mute the alarm and it will turn on again in 5 minute interval. If you want to turn off the alarm, just simply press “ALARM” button, then the alarm will be turned off and go to standby mode.

## Sleep Timer

You can set the Sleep Timer to turn off the radio itself after certain time of period.

Press the Snooze/Sleep button and it will show “Set Sleep Time”.

Press the button repeatedly and it will cycle through the timer options from 15, 30, 45, 60 up to 90 minutes.



## Q & A

**If you are experiencing problems with your DAB radio, here are some quick and easy checks that you can do, which may help to solve the problem.**

### **Radio reception is poor**

- Please check that the aerial is extended for the maximum signal strength and improved reception.
- For DAB radio, use the Manual Tuning and adjust your aerial for the best reception.
- Try moving your radio to an alternative location to see if the reception improves. Please remember to full scan the DAB stations again once you have moved your radio.
- Check that you do not have other electrical equipment too close to your radio, causing interference.
- Visit <http://www.worlddab.org/> for information about DAB reception in your area.

### **No sound**

- Adjust the volume by using the rotary knob on the unit. .
- Please check that the mains power is fully connected at the back of the radio and the mains power wall socket is switched on.

### **WEEE and Recycling**



The European laws do not allow any more the disposal of old or defective electric or electronic devices with the household waste. Return your product to a municipal collection point for recycling to dispose of it. This system is financed by the industry and ensures environmentally responsible disposal and the recycling of valuable raw materials.

Ocean Digital Technology Ltd.  
Flat B, 12/F., Yeung Yiu Chung (No.8) Ind. Bldg.,  
20 Wang Hoi Road, Kowloon Bay,  
Hong Kong  
Email: [support@oceandigital.com.hk](mailto:support@oceandigital.com.hk)