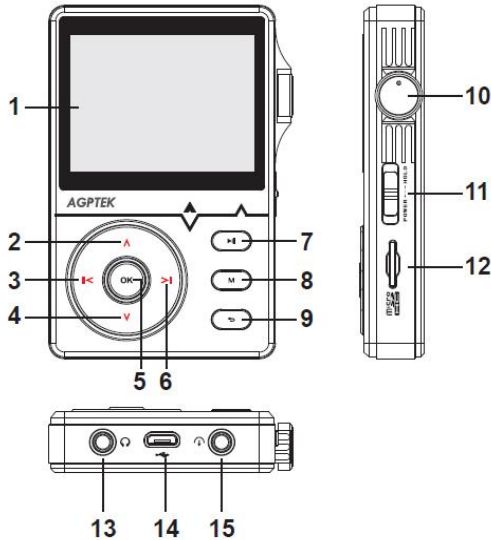




# Statement

- I. Thank you for purchasing the H1 Digital Audio Player produced by AGPTek. Before using the player, please read the manual carefully. If you have any question or any idea about this product, please email [support@agptek.com](mailto:support@agptek.com). We look forward to hearing from you!
- II. We strongly suggest you to back up the data in case there is accident happening on the Digital Audio Player. We are afraid that we could not bear responsibilities for data loss due to mistaken operation or hardware damage.
- III. Users are neither allowed to repair the machine nor to the open the rear cover of the machine by themselves, or else we won't be able to provide you with regular after-sale service.
- IV. Manufacturers of Flash machine usually calculate the capacity by the scale 1000, i.e. 1K=1000byte, 1M=1000K and 1G=1000M. The operation system equalizes 1024 k to 1M and the formatted report capacity will be less than the nominal capacity. System files would occupy a bit of space under different systems.

# Parts and Controls



1. Display	Screen.
2. UP	Select up.
3. 	In menu interface, press to go to the last item. On the song screen, short press to go to the last track and long press to rewind.
4. Down	Select down.
5. OK	To enter or ensure your action .
6. 	In menu interface, press to go next item. On the song screen, short press to go to the next track and long press to fast forward.
7. Play/Pause key	Display play and pause function.
8. Menu key	Press to open the functional submenu.

<b>9.</b> Back key	Go back to the last menu.
<b>10.</b> Volume up/down	Turn the knob to adjust the Volume.
<b>11.</b> Power/Hold	Push down POWER button for 3 seconds to switch on and off the player. Push up is key lock.
<b>12.</b> Card slot	Support a maximum capacity of 64 GB Micro SD card.
<b>13.</b> Earphone port	3.5mm earphone socket.
<b>14.</b> Micro USB port	To connect micro USB cable.
<b>15.</b> Line out	Use 3.5mm cable, connect with the output device and this player (from LINE OUT button), play music, the output device will be played

## **Music**

1. In the main mode, choose which you prefer on “All songs, Artists, Albums, Genres, Playlists, Folder” to play, Press OK button to play music; In the music player mode, short press MENU into setting, you can choose UP and DOWN button to change the setting, press OK button to confirm.

2.From the main menu, select all songs , press OK button to enter.

While the music is paused or playing, press M to select items.(Including Shuffle, Repeat, Bookmarks, Equalizer, Sleep timer, Add to playlist, Variable Speed Playback or Delete. )

## **Music Data transfer**

Plug machine into PC with the micro USB cable, it will show up as a removable disk as soon as PC recognize the machine; then copy and paste files onto the machine and enjoy your music!

## **Key Lock**

Push *up the* side of the Power button to Hold button, the lock icon appears on the screen, the player enters locked state, all keys can not work. Push the power button back to the middle position, unlocked state, all keys valid.

## **Setting**

In the main menu, press M to select items.(Including Language, The line level, Default volume, Memory play, Create playlist, Backlight timer, Brightness, Auto shutdown, LED, sleep timer, Information, Format device and Factory settings.)

- Language

Choose the language you need

- The line level

When you choose -6db or 0db, then the output volume was fixed. When you choose -6db, the output music enhanced bass effects; when you choose 0db, the output music enhanced treble effects.

Tips: when you connect with earphone, there is no effects.

- Default volume

1.Memory: when you power on, it will show the volume that you power off

2.Custom: you can set a fixed volume and every time you power on, the volume will be what you had set.

- Memory play

1.Off: if you do not want the memory play, you can turn off this function.

2.Location: when you power on, it will show you the location of the song that you had heard before last time you had power off.

3.Track: when you power on, it will show you the song but no location that you had heard before last time you had power off.

- Brightness

Freely to adjust the brightness of the screen.

- LED

There is blue indicator light below the OK button, during normal operation indicator lights, shut sown after turn off. It is also can be set to off in setting.

- Information

You could review the version of the current software, the machine body and the space information of MICRO SD card.

- Factory settings: You could recover the factory setting.

## **Create your own playlist**

Editing Playlist by media player could be painful,

no matter by iPod or others. There is a free program called Media Go. It's the easiest program to use for transferring playlists to the AGPTek. Just create your playlists in MM and then right-click its name and select 'Synch to X :( Which is your mp3 player's disk) '.

<http://mediago.sony.com/enu/>

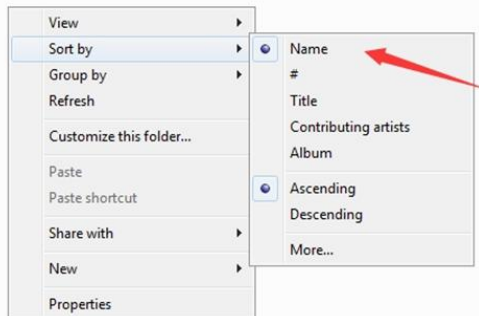
After sending your playlist and music to the player, you may find it in music, and then select playlists.

## **How to make you music or audio books sort by name**

Playing from Music option, the order is sorted by alphabet (or exactly called ASCII)

Playing from Playlist, the play order is as your playlist.

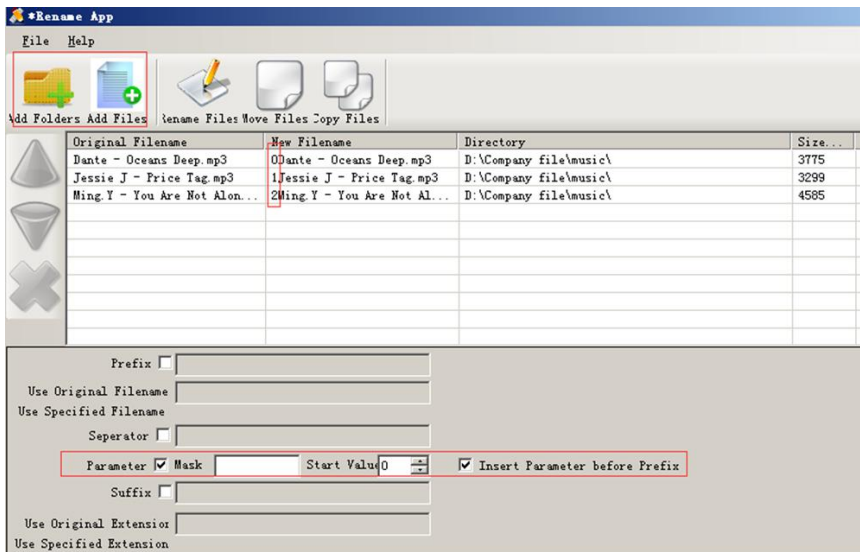
Playing from Folder option, the order is sorted by the order you copy them. Before you copying them into the player, please arrange the files to a right sequence in computer (by name, like the picture below. Not by #).



If the file order is sort by name before you copying them into the player, they would be right order.

If your music is not sort by the right number, use the application “Renamer” to sort your music files by number. Download Renamer on the website (<http://renamer.en.softonic.com/>), and then choose the item “Add folders” or “Add files” to add your music into list. (For more details, please kindly check the link).

Put your music into your MP3 player and press play key to enter Folder to check it.



## Add bookmark for your audio book

While in audio playing mode, tap the **M** to access to the submenu. From the list that appears, choose “Bookmarks” with the option “Add bookmark”.

- Bookmarks are marked by the stopping time as “hh:mm:ss”. The next time this song is played, you press the M >bookmarks >.go to bookmark, and choose the bookmark, you could go back to the point you marked last time.
- Maximum number of bookmarks supported by each audio file is 10. Additional bookmarks will override the ones set previously.
- To find saved bookmarks, select “go to bookmark”. Select “Delete bookmark” to delete it.

### **Troubleshooting**

Unable to starting up	1. Check whether the power is sufficient
No sound when play music	<ol style="list-style-type: none"> <li>1. Turn up the volume</li> <li>2. Check whether the earphones are well inserted.</li> <li>3. Check whether supports the music format.</li> <li>4. Check whether the music file has been damaged</li> </ol>
Unable to download files to device	<ol style="list-style-type: none"> <li>1. try another micro SD card</li> <li>2. Check whether the device has been correctly connected with computer.</li> <li>3. Check whether there are enough storage space in the device</li> <li>3. Try another USB cable</li> </ol>
There is noise when play the device	<ol style="list-style-type: none"> <li>1. Check whether the plug of earphone is clean</li> <li>2. Check whether the music file has been damaged</li> </ol>



## System Reset:

System is no response for some reason, or other abnormal circumstances, the system can be restarted by resetting the power button, push down 10 seconds until you can reboot.

## Specifications

Dimension	92 x 58 x15.5m (W*H*D not included volume button)
Screen	2.3 inch 320*240 TFT
Audio format	MP3: bit rate 8Kbps-320Kbps WMA: bit rate 5Kbps-384Kbps FLAC: sampling rate 8KHz-48KHz, 16bit, 24bit APE: sampling rate 8KHz-48KHz, 16bit, 24bit WAV: sampling rate 8KHz-48KHz, 16bit, 24bit
Battery	In-built 1500MA lithium battery
Play time	Playing music for 12 hours or so (test sound source format MP3, volume 50, bit rate 192 Kbps, earphone playing, under black screen. When it plays high-quality music, the playing time will be shortened.)
Storage	Internal storage of the machine is 8GB, compatible with a maximum capacity of 64 GB Micro SD card.