

MAJORITY NEWTON

Alexa Speaker and Digital Radio

NWT-AVS-BLK



Instructions Guide

Contents

Support	1
Controls and Functions	4
What's In The Box?	5
App Services	6
Instructions Guide	7
Navigation Controls	7
Getting Started	8
Starting Up: Alexa and Voice Recognition.....	9
Multi-room WiFi and Bluetooth Speaker	12
Majority App Services.....	13
DAB/DAB+ Mode	14
FM Mode	17
Bluetooth.....	20
Dual Alarm Option	21
Menu Settings.....	23
Troubleshooting	25
Specifications	26
Warranty	26
Safety Information	27

**3 YEAR
WARRANTY**

Watch video tutorials and register
your product for a FREE 3-year warranty
at www.majorityradios.co.uk

Support

Thank you for your purchase of the Majority Newton.

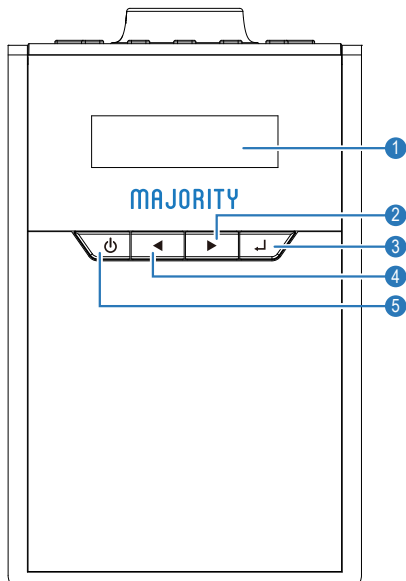
Please follow the guidance of the manual to set up your AVS speaker/DAB radio to enjoy its fantastic variety voice command and additional features.

If you require further assistance with your new product, please contact our support team on the Majority website:

<https://www.majorityradios.co.uk/support/>

Controls And Functions

View



1. Display screen

2. Next button

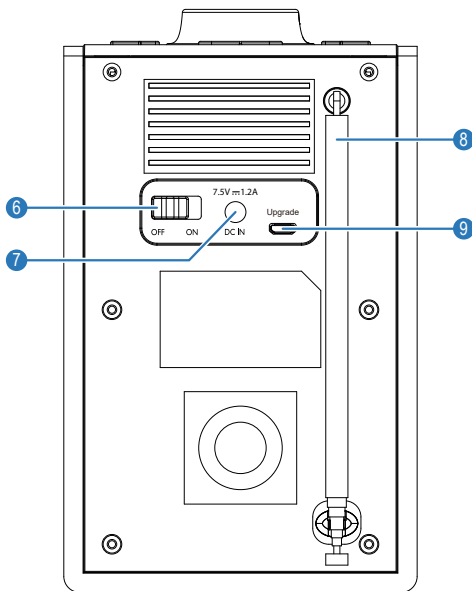
3. Enter button

4. Previous button

5. Power/Standby

Controls And Functions

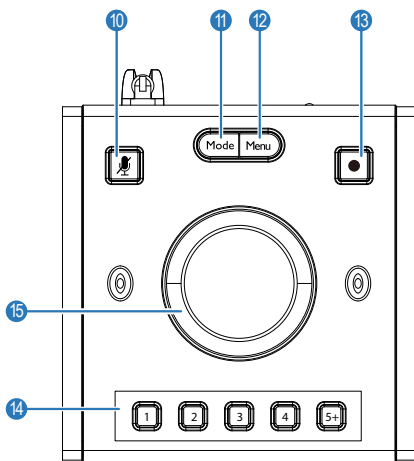
View



- 6. ON/OFF button
- 7. DC in power port
- 8. Aerial
- 9. Update port

Controls and Functions

View



10. Disable microphone

11. Mode button

12. Menu button

13. Near-field recognition

14. Preset buttons

15. Volume dial

What's In The Box?

Box Contents

1. Majority Newton Speaker and Digital Radio
2. DC in Power Adapter
3. UK and EU adapter boards
4. Instructions Guide



Instructions Guide

App Services

With the Majority Newton, you can enjoy a variety of great features by connecting your AVS speaker to your WiFi connection.

By downloading the Majority app, you can begin enjoying some of your favourite services including Spotify Connect and other streaming services. Please follow our later guidance on this.

After connecting your Majority Newton to your internet connection as instructed in the following pages, you will be able to connect your device to the Amazon Alexa app. Begin “waking” Alexa and command a range of services, entertainment and organisational skills.

Navigation Controls

Standby/Power (Ref.5): Press to put the unit in Standby mode or turn it on.

Mode button (Ref.11) : Press to switch between DAB/ FM/ Bluetooth/ WiFi Voice Recognition mode

Menu button (Ref.12): Press to enter system settings and view station information. Also use as a 'back' button when creating settings.

Volume dial (Ref.15): Turn the dial to increase and decrease volume level.

'Near-Field Recognition' (Ref.13): In WiFi voice recognition mode, press the button to switch to "Near-field recognition" mode. Pressing the button "wakes" Alexa so that you can ask then request something without saying "Alexa". Also press and hold the button to disconnect the WiFi network.

In Bluetooth mode, press and **hold** this button to disconnect/connect the Bluetooth connection.

Disable microphone button (Ref.10): When on WiFi voice recognition mode, press to disable the microphone.

Preset Numbers 1 to 4, 5+ (Ref.14): Use to create presets and recall set preset stations.

Previous, Next and Enter (Ref. 3,4 and 2): Browse, create and select settings/options.

Instructions Guide

Getting Started

Plug the power cable into the unit via the DC-in port (**Ref.7**), and the adapter into the mains.

To remove the existing UK adapter plug from the Newton, press and hold in the button underneath the plug whilst pulling the adapter plug up from the unit. Once removed, this will display a clasp board (Ref.6) for you to clasp an alternative adapter to your Majority Newton.

Ensure that the ON/OFF switch (**Ref.6**) at the back of the unit is switched to 'ON'.

Once the speaker is all switched on, the screen will display "Welcome to Digital Radio" followed by a screen showing "00:00".

To move from the "00:00" screen, press the 'Power/Standby' button (**Ref.5**) at the front of the unit. This will take the unit out of Standby.

On first use, the radio will directly take you to DAB mode, so ensure that the aerial is extended so that the DAB station scan will find the most available stations that it can.

A scan will now begin and will search for available stations - this can take a few minutes before it is complete. Once the scan is finished, the first available station will begin to play.

This DAB scan will also set the clock and date on your radio.

Use the 'Mode' button (**Ref.11**) to switch from DAB mode to other available modes such as DAB/FM/Bluetooth/WiFi and Wireless Voice Recognition.

Starting Up: Alexa and Voice Recognition

Select the 'Mode' button (**Ref.11**) repeatedly until 'WiFi' displays on the screen.

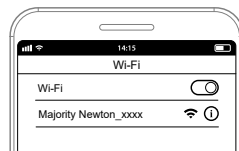
1. Before starting to set up please ensure that you have done the following:

- Downloaded the Majority app
- Downloaded the Amazon Alexa app
- Have an Amazon account

2. Connect your phone to WiFi. This is necessary to connect the Newton to your WiFi in the following steps.

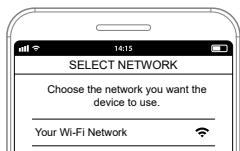
3. Go to the Majority app on your phone and available devices will display for you to choose from. Select 'Majority Newton_xxxx' to begin connecting the speaker to your device.

4. The app will now take you through the WiFi connection set up process and instruct you to go to your phone's WiFi settings. The "Majority Newton_xxxx" will display here as a WiFi connection, which you must select to set up the Newton to your phone.



Instructions Guide

5. Once it is connected, go back to the app to select the WiFi that you would like to connect the Majority Newton to. **Please note:** this must be the same WiFi connection that your phone is connected to.



6. Name your Majority speaker in this step. You can keep its original name, customise it or name after a room.

7. Follow the next step for setting up Amazon Alexa on your Newton speaker. Ensure that you have downloaded the Amazon Alexa app and also sign in to your Amazon account through the Majority app.

If you do not have an Amazon account, you will need to make an account at this point.

8. Once connected to the Amazon app and signed in, the Newton speaker will sound “connected” and also display white lights at the front of the unit. You are now able to roam the Majority and Amazon Alexa app and begin using it’s fantastic services, music and apps.

Please ensure that you connect your phone back to the WiFi network after this.

Instructions Guide

9. To activate Alexa, simply say the word “Alexa”. When activated, the front lights will turn blue, and an Alexa symbol will display on the screen.

Once this displays, you can begin asking Alexa a question/request and enjoy a range of services. Ask her the weather in your area, ask to set a timer for 20 minutes or to play your favourite song.

To activate Alexa, you can also press the ‘Near-field voice recognition’ button on the unit (**Ref.13**) and then ask Alexa a question/request.

Instructions Guide

Multi-room WiFi and Bluetooth Speaker

You can add multiple AVS speakers to your app and also join them together to create a multi-room service. **Please note that only Majority products can be linked (Darwin and Newton models)**

When you first activate the Majority app, a 'DEVICE LIST' screen will display with your Majority Newton connected.

To add another Majority AVS speaker device, please ensure that your other speaker is switched on and in 'WiFi' mode. On the Majority app, click the '+' at the top right of the page and begin searching for other available devices.

Follow the previous guidance used to set up the Newton to WiFi to also set up this new device.

Setting Up Multi-room Mode

To start Multi-room mode, you will need to connect one of the speakers to the other on the 'Device List' page.

To do this, press and **hold** one of the devices on the app and drag it on top of the other device. This will pair them together and allow media to be played on both speakers simultaneously.

To disconnect the two speakers and go back to playing different media on both players, go to the device list on the app. Press and hold the smaller 'connected' icon and drag it away from the master speaker and drop it below the dashed line.

Majority App Services

Once you have set up the Newton to the internet via the Majority app, you will be able to browse and use a range of services including:

Favourites: Save music on your device to your favourites for easy navigation.

My Music: Browse and play the music on your phone's library and make playlists.

TuneIn: Browse through a range of options including listening to Local Radio, Music Services, Talk Services, Sports, Podcasts, as well as browsing through radio stations by location and language.

iHeartRadio: Sign in to your iHeartRadio account to begin listening to radio stations and broadcasts.

TIDAL: Log in to your TIDAL account to begin playing music from the TIDAL app on your phone.

Napster: Log in to your Napster account

Amazon Alexa: Sign in to your Amazon account to begin using Amazon Alexa services, apps and organisational skills.

+ **Add more Services:** Add other available services to control from the Majority app.

Bluetooth: Change the device to Bluetooth mode.

Instructions Guide

Spotify Connect

Listen out loud with Spotify Connect

1. Connect your Newton AVS to your WiFi network
2. Open up the Spotify app on your phone, tablet or laptop using the same WiFi network.
3. Play a song and select Devices Available.
4. Select your Majority Newton and start listening.

The Spotify Software is subject to third party licenses found here:

www.spotify.com/connect/third-party-licenses.

DAB/DAB+ Mode

On first use the radio will directly take you to DAB mode, so ensure that the aerial is extended so that the DAB station scan will find the most available stations that it can.

A scan will now begin and will search for available stations - this can take a few minutes before it is complete. Once the scan is finished, the first available station will begin to play.

This DAB scan will also set the clock and date on your radio.

To scroll through the available stations, use the 'Prev' and 'Next' buttons (**Ref.4/2**) at the front of the radio. To select a station to play, press the 'Enter' button (**Ref.2**).

Performing an autoscans

If the scan has not automatically started or you would like to do another scan for available stations, you can perform a rescans. First, ensure that you are on DAB mode and then press and **hold** the 'Menu' button (**Ref.12**).

Once the Menu opens, you can use the 'Previous' and 'Next' buttons (**Ref.4/2**) to scroll through your options. Browse to the 'Full Scan' option and select it by pressing the 'Enter' button (**Ref.3**).

The radio will now begin scanning for available stations and will display a scanning bar on the screen.

Once the scan is complete, the first available station will begin to play.

Instructions Guide

DAB/DAB+ Presets

You can set 10 DAB/DAB+ stations as your preset favourites. To set a DAB/DAB+ station as a preset favourite station, you need to be listening to the station at the time.

Once listening to the station you wish to preset, press and **hold** the preset number 1 to 4 at the top of the unit to set it as that corresponding preset station number.

To set a station as preset number 5 and above, press the '5+' button (**Ref.14**) at the top of the unit to open the preset stations screen. Using the 'Previous' and 'Next' buttons (**Ref.4/2**), scroll through preset numbers 1-10. To select the number that you wish to set the station preset number as, press the 'Enter' button (**Ref.3**) to confirm.

Note: If there is existing FM station stored under a preset, it will be over written when you store the new station.

How to recall and play your preset stations

To begin playing preset station number 1 to 4, you can select buttons 1 to 4 at the top of the unit. Once pressed, the preset station for that preset button number will automatically begin playing.

To open preset numbers 5 and above, press the '5+' button to open the preset catalogue.

Use the 'Previous' and 'Next' buttons (**Ref.4/2**) to browse through the preset favourite stations. Once on your chosen preset station that you wish to play, press the 'Enter' button (**Ref.3**) to select.

DAB/DAB+ Station Information

When you are playing a DAB/DAB+ station, you can view different station information from the station provider.

To view information of the station playing, press the 'Menu' button (**Ref.12**) repeatedly to scroll through the following information:

Dynamic Label Segment (DLS): Displays scrolling text information supplied by the broadcaster.

Signal Strength: Displays a signal bar with the strength of the current station.

Signal Error: Provides details of the signal error rate.

Channel and Frequency: Displays the station's transmission channel number and frequency.

PTY (Program Type): Shows the type and description of the program provided by the DAB station.

Time and Date: Displays the time and date information provided by the broadcaster.

Bit Rate: The data rate which the signal is being transmitted.

Instructions Guide

FM Mode

To switch to FM mode, press the 'Mode' button (**Ref.11**) repeatedly until in FM mode is displayed and a screen showing "87.5 MHz".

Ensure that the aerial is extended so that the most available FM stations can be found.

To scroll through the available stations slowly, press the 'Prev' and 'Next' buttons (**Ref.4/2**) repeatedly at the front of the radio.

Performing an autoscans

You can perform an autoscans on FM mode to search for stations up the bandwidth for the next station with good signal.

To search up or down the bandwidth for the next available station, press and **hold** the 'Previous' or 'Next' buttons (**Ref.4/2**) to begin scanning.

Once the first available station with good signal has been found, you can press and **hold** the 'Previous' or 'Next' buttons to scan again for the next available station.

FM Presets

You can set 10 FM stations as your preset favourites. To set an FM station as a preset favourite station, you need to be listening to the station at the time.

Once listening to the station you wish to preset, press and **hold** the preset number 1 to 4 (**Ref.14**) at the top of the unit to set it as that corresponding preset station number.

To set a station as preset number 5 and above, press the '5+' button (**Ref.14**) at the top of the unit to open the preset station screen. Using the 'Previous' and 'Next' buttons (**Ref.4/3**), scroll through preset numbers 1-10. To select the number that you wish to set the station preset number as, press the 'Enter' button (**Ref.2**) to confirm.

Note: If there is existing FM station stored under a preset, it will be over written when you store the new station.

How to recall and play your preset stations

To begin playing preset station number 1 to 4, you can select buttons 1 to 4 (**Ref.14**) at the top of the unit. Once pressed, the preset station for that preset button number will automatically begin playing.

To open preset numbers 5 and above, press the '5+' button (**Ref.14**) to open the preset catalogue.

Use the 'Previous' and 'Next' buttons (**Ref.4/2**) to browse through the preset favourite stations. Once on your chosen preset station that you wish to play, press the 'Enter' button (**Ref.2**) to select.

Instructions Guide

FM Station Information

When you are playing an FM station, you can view different station information from the station provider.

To view information of the station playing, press the 'Menu' button (**Ref.12**) repeatedly to scroll through the following information:

Radio Text: Displays scrolling text information supplied by the broadcaster.

Program Type: Displays a description of the type of program provided by the broadcaster.

Signal Strength: Displays a signal bar with the strength of the current station.

Time and Date: Displays the time and the date.

Frequency: Displays the station's transmission frequency.

Audio Type: Displays the audio type of the station you are listening to. It will either be Stereo or Mono.

Bluetooth

Press the 'Mode' button (**Ref.11**) repeatedly until Bluetooth mode is selected and displays on the screen.

Go to your Bluetooth device and ensure that Bluetooth mode is switched on.

In available Bluetooth devices, the "Majority Newton" should display as a connection. Select the device and your Bluetooth device should now connect to the Majority Newton.

You can now begin to play your own music and media from your Bluetooth device, including streaming services such as Spotify, Apple Music etc.

Instructions Guide

Dual Alarm Option

Please ensure that the time and date has been set up in the Menu Settings before setting alarm, as your alarm will not sound before the date and time is confirmed.

1. To begin setting Alarm 1 and/or Alarm 2, press and **hold** the 'Menu' button (**Ref.12**) when in DAB mode to open Menu Settings.
2. Using the 'Prev' or 'Next' buttons (**Ref.4/2**) on the front of the unit, scroll to the 'Alarm 1' or 'Alarm 2' option depending on what alarm you wish to set. To select the alarm, press the 'Enter' button (**Ref.3**). A variety of settings will now display for you to set your alarm.
3. Firstly, choose the 'Alarm On/Off' option by pressing the 'Enter' button (**Ref.3**). Once you do this, "Off" will display on the screen. Use the 'Next' button to change the alarm to "On" and press the 'Enter' button to confirm alarm switch on.
4. Now use the 'Next' button to scroll to the 'Alarm Time' option and press 'Enter' to confirm. Once selected, the hour digit will flash on the screen. To change the hour, use the 'Prev/Next' buttons to scroll to the alarm hour you wish to set and confirm by pressing 'Enter'. Repeat the same process for the minutes and press 'Enter' to confirm alarm time.
5. Now select the 'Alarm Source' option to select browse between setting DAB, FM or Alarm as your alarm tone. Use the 'Prev/Next' buttons to browse, and use the 'Enter' button to confirm choice.
6. Set the alarm sounding volume. Use the 'Prev/Next' buttons to scroll to your chosen alarm volume and press 'Enter' to confirm.

7. Now select the 'Alarm Mode' option to set the regularity of your alarm. Use the 'Prev/Next' buttons to scroll between Once, Weekends, Weekdays, or Each Day. Select your choice by pressing 'Enter'. When the alarm has been set, the standby display screen will show an alarm symbol for each alarm activated.

Canceling your alarm

To cancel your alarm before it sounds, go to alarm settings and select the 'Alarm On/Off' option by pressing the 'Enter' button (**Ref.3**). Use the 'Next' button to change the alarm to "Off" and press the 'Enter' button (**Ref.3**) to confirm alarm switch off.

Snoozing/turning off your alarm when sounding

To turn off your alarm when it is sounding, press the 'Power/Standby' button (**Ref.5**) to stop the alarm. If you have set a Weekday, Weekend or Everyday alarm, the alarm icon will still display on the Standby screen as it is set for the following days.

To snooze your alarm, press the 'Enter' button (**Ref.3**) at the front of the radio. This will stop your radio from sounding and "Snooze" will now display on the screen. The radio will snooze for 9 minutes until it sounds again.

Instructions Guide

Menu Settings

To open Menu Settings, press and **hold** the 'Menu' button (**Ref.12**) when in DAB mode. You can now scroll through a range of available settings options:

When making settings, you can press the 'Menu' button to go back.

Sleep

Set your device to 'Sleep' after a particular time of activity. Using the 'Prev/Next' buttons (**Ref.4/3**), scroll through a range of timer options: OFF, 5, 15, 30, 45, 60, 90, 120 minutes. Select your choice by pressing the 'Enter' button.

Once the sleep mode has been set, the time will show at the bottom of the screen. For example, if 5 minutes has been set this will show as a clock and the number "5" to represent the minutes. As the timer goes down, the number will change.

Time (Time and Date)

When you switch to DAB/DAB+ mode, the time and date should update automatically. If not, please use the following guidance:

Using the 'Prev/Next' buttons (**Ref.4/2**), browse through a range of choices for setting the date: Time Year, Time Month, Time Day. For changing the time: Time Hour and Time Minutes.

Select an option by pressing the 'Enter' button (Ref.) and alter the year/month/day/hour/minutes by adjusting with the 'Prev/Next' buttons. Use the 'Enter' button to confirm your selections.

Factory Reset

Select 'Factory Reset' in Menu Settings. Once selected, you will have the option of "No" or "Yes". To perform a factory reset, select "Yes" with the 'Enter' button (**Ref.3**).

SW Version

Select 'SW Version' in Menu Settings. Once selected, the software version will display.

Time Out

Select 'Time Out' in Menu Settings. Choose the length of time that you would like the unit to be active before the backlight dims to a lower brightness after a period of inactivity. You can browse between the following options: Off, 10 Second, 20 Second, 30 Second, 40 Second, 50 Second, 1 Min, 2 Min. Select your choice by pressing the 'Enter' button (**Ref.3**).

Brightness

Select 'Brightness' in Menu Settings. Once selected, choose the backlight brightness between: Low, Medium and High. Confirm your choice with the 'Enter' button (**Ref.3**).

Troubleshooting

Troubleshooting

Malfunction	Possible causes/measures
No power / function	Check whether the power adaptor is properly connected to your device.
My speaker will not connect to the internet	Ensure that you have downloaded the Majority app and your device is in WiFi mode with a white light showing. Go to the app and search for available devices and connect here. Go to your phone's WiFi settings and connect to the Darwin. Go back to app to complete process.
Problems with Amazon Alexa	Connect the speaker to Alexa through the Majority app. Once set up in the app, you can begin using the Amazon Alexa app and waking with "Alexa".
My device is not working properly	To reset the speaker, press and hold the mute speaker button until "Restore to factory settings" sounds.
Media is not playing through my device.	Ensure that your phone is connected properly to your device and also not streaming to another device (unless multi room is set up)
DAB/DAB+ or FM signal issues	Please perform a rescan for available stations and try moving to a different location if possible.
My device is not working properly	Please activate a factory reset of your unit. This option can be selected in device menu settings.

For additional support with your device and setting up, contact us directly through our website via our Support page: www.majorityradios.co.uk

Specifications

Power Supply	DC Output 7.5V/1.2A Input 100-240V AC
Frequency Response	87.5MHz - 108MHz
Mode	DAB FM Bluetooth WiFi Voice Recognition
Display	OLED
Dimensions	17 x 11 x 11cm

Warranty

All products come with a standard 12 month warranty. All items must be registered on www.majorityradios.co.uk for the warranty to be valid. Once on the web page, use the menu to find "Register your Product". You will also be given the chance to extend your warranty for an additional 24 months, free of charge.

Safety Information

1. Read these instructions.
2. Keep these instructions. Instructions are also available for download at www.majorityradios.co.uk
3. Heed all Warnings
4. Follow all instructions
5. Do not clean the apparatus near or with water
6. Do not block any ventilation openings. Install in accordance with the manufacturer's instructions
7. Do not block any ventilation openings. Install in accordance with the manufacturer's instructions.
8. Do not install near any heat sources such as radiators, heat registers, stoves, or other apparatus (including amplifiers) that produce heat.
9. Protect the power from being walked on or pinched particularly at plugs, convenience receptacles, and the point where they exit from the apparatus.
10. Only use attachments/accessories specified by the manufacturer.
11. Unplug this apparatus during light storms or when unused for long periods of time.
12. Refer all servicing to qualified service personnel. Servicing is required when the apparatus has been damaged in a way, such as power-supply cord or plug is damaged, liquid has been spilled or objects have fallen into the apparatus, the apparatus has been exposed to the rain or moisture, does not operate normally or has been dropped.
13. No naked flame sources, such as lit candles, should be placed on the apparatus.
14. Dispose of used electrical products and batteries safely according to your local authority and regulations.

ADDITIONAL WARNINGS

The apparatus shall not be exposed to dripping or splashing and no objects filled with liquid, such as vases, shall be placed on the apparatus. Main plug is used to disconnect device and it should remain readily operable during intended use. In order to disconnect the apparatus from the main mains completely, the mains plug should be disconnected from the main socket outlet completely. Battery shall not be exposed to excessive heat such as sunshine, fire or the like.

RECYCLING ELECTRICAL PRODUCTS

You should now recycle your waste electrical goods and in doing so help the environment.



This symbol means an electrical product should not be disposed of with normal household waste.

Please ensure it is taken to a suitable facility for disposal when finished with.

IMPORTANT: Please read all instructions carefully before use and keep for future reference.



Risk of electric shock.
Do not open



Read all instructions carefully before use and keep for future reference



When servicing, use only identical replacement parts



CAUTION

RISK OF ELECTRIC SHOCK
DO NOT OPEN



ATTENTION

RISQUE D'ELECTROCUTION
NE PAS OUVRIR



IMPORTANT: Please read all instructions carefully before use and keep for future reference





MAJORITY

www.majorityradios.co.uk

